

# Owner's Manual

## Operation and Maintenance

**CAUTION! Risk of Fire! DO NOT** store instruction manuals inside fireplace cavity. High temperatures could cause a fire.

**INSTALLER:** Leave this manual with the appliance, not inside the appliance.

**CONSUMER:** Retain this manual for future reference. Do not store inside the appliance. Contact your dealer with questions regarding installation, operation or service.

**NOTICE: DO NOT** discard this manual!

**ECHELON-C  
SERIES**



**GAS-FIRED**



**Models:**

**ECHEL36IN-C**

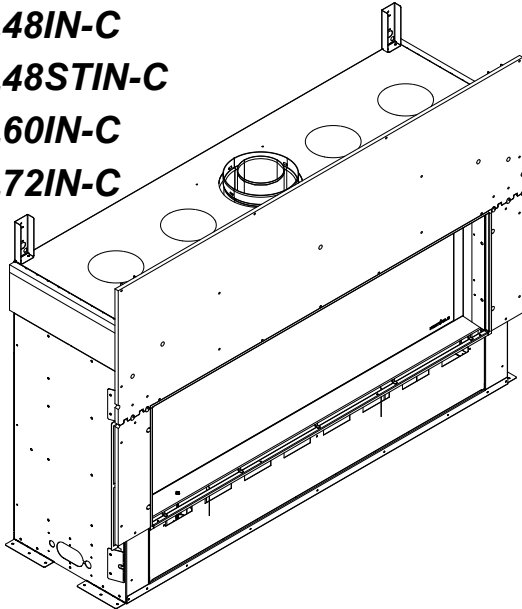
**ECHEL36STIN-C**

**ECHEL48IN-C**

**ECHEL48STIN-C**

**ECHEL60IN-C**

**ECHEL72IN-C**



This appliance may be installed as an OEM installation in manufactured home (USA only) or mobile home and must be installed in accordance with the manufacturer's instructions and the *Manufactured Home Construction and Safety Standard, Title 24 CFR, Part 3280* in the United States, or the *Standard for Installation in Mobile Homes, CAN/CSA Z240 MH Series*, in Canada.

This appliance is only for use with the type(s) of gas indicated on the rating plate. This appliance is not convertible for use with other gases, unless a certified kit is used.

### **▲ WARNING:**

#### **FIRE OR EXPLOSION HAZARD**

Failure to follow safety warnings exactly could result in serious injury, death, or property damage.

- **DO NOT** store or use gasoline or other flammable vapors and liquids in the vicinity of this or any other appliance.
- **What to do if you smell gas**
  - **DO NOT** try to light any appliance.
  - **DO NOT** touch any electrical switch. **DO NOT** use any phone in your building.
  - Leave the building immediately.
  - Immediately call your gas supplier from a neighbor's phone. Follow the gas supplier's instructions.
  - If you cannot reach your gas supplier, call the fire department.
- Installation and service must be performed by a qualified installer, service agency, or the gas supplier.

# **! DANGER**



**HOT GLASS WILL  
CAUSE BURNS.**

**DO NOT TOUCH GLASS  
UNTIL COOLED.**

**NEVER ALLOW CHILDREN  
TO TOUCH GLASS.**

A barrier designed to reduce the risk of burns from the hot viewing glass is provided with this appliance and must be installed for the protection of children and other at-risk individuals.

Decorative barrier front must be ordered separately at time of appliance purchase.

# 1 Welcome

Read this manual before operating this appliance.  
Please retain this Owner's Manual for future reference.

Read the Installation Manual before making any installation or finishing changes.

## A. Congratulations

Congratulations on selecting a Majestic gas fireplace, an elegant and clean alternative to wood burning fireplaces. The Majestic gas fireplace you have selected is designed to provide the utmost in safety, reliability, and efficiency.

As the owner of a new fireplace, you'll want to read and carefully follow all of the instructions contained in this owner's manual. Pay special attention to all cautions and warnings.

This owner's manual should be retained for future reference. We suggest that you keep it with your other important documents and product manuals.

The information contained in this owner's manual, unless noted otherwise, applies to all models and gas control systems.

Your new Majestic gas fireplace will give you years of durable use and trouble-free enjoyment. Welcome to the Majestic family of fireplace products!

### Local Dealer Information

**DEALER:** Fill in your name, address, phone and email information here and appliance information below.

Dealer Name: \_\_\_\_\_  
 Address: \_\_\_\_\_  
 \_\_\_\_\_  
 Phone: \_\_\_\_\_  
 Email: \_\_\_\_\_

### **Appliance Information:**

Brand: \_\_\_\_\_ Model Name: \_\_\_\_\_  
 Serial Number: \_\_\_\_\_ Date Installed: \_\_\_\_\_

## Listing Label Information/Location

The model information regarding your specific fireplace can be found on the rating plate usually located in the control area of the fireplace.

Type of Gas  
 Gas and Electric Information

Majestic, a brand of Hearth & Home Technologies  
 7571 215th Street West, Lakeville, MN 55044

Vented gas fireplace heater - Not for use with solid fuel. Appareil de chauffage de foyer avec conduit d'évacuation des gaz - n'utilisez pas avec des combustibles solides.

Type of Gas (Sorte De Gaz): **NATURAL GAS** ANSI XX.XX-XXXX CSA X.XX-XXXX  
 CAN/CSA - P.X.X-XX FE: \_\_\_%

Minimum Permissible Gas Supply for Purposes of Input Adjustment:  
 Approved Minimum (De Gaz) acceptable ..... x.x in. w.c. (Po. Col. d'eau)  
 Maximum Pressure (Pression) ..... xx.x in. w.c. (Po. Col. D'eau)  
 Maximum Manifold Pressure (Pression) ..... x.x in. w.c. (Po. Col. d'eau)  
 Minimum Manifold Pressure (Pression) ..... x.x in. w.c. (Po. Col. d'eau)  
 Minimum rate with variable regulator on control valve  
 Total Electrical Requirements: 120Vac, 60Hz., less than 12 Amperes

Model: (Modèle): XXXXXXXXX  
 Serial: (Série):

## ▲ Safety Alert Key:

- **DANGER!** Indicates a hazardous situation which, if not avoided will result in death or serious injury.
- **WARNING!** Indicates a hazardous situation which, if not avoided could result in death or serious injury.
- **CAUTION!** Indicates a hazardous situation which, if not avoided, could result in minor or moderate injury.
- **NOTICE:** Used to address practices not related to personal injury.

**Note:** The term “recommend” or “recommended” does not indicate a requirement. It is a best practice suggested by Hearth & Home Technologies®.

## Table of Contents

### 1 Welcome

A. Congratulations . . . . .	2
B. Limited Warranty . . . . .	4

### 2 Product Specific Information

A. Appliance Certification . . . . .	6
B. Glass Specifications . . . . .	6
C. BTU Specifications . . . . .	6

### 3 Important Safety and Operating Information

A. Appliance Safety . . . . .	7
B. General Operating Parts . . . . .	8
C. Fuel Specifications . . . . .	8
D. Wall and Mantel Temperatures . . . . .	8
E. Good Faith Wall Surface/TV Guidelines . . . . .	9
F. Before Lighting Appliance . . . . .	12
G. Lighting Instructions (IPI) . . . . .	13
H. Appliance Break-In . . . . .	14
I. Heat Management . . . . .	14
J. Operation During A Power Outage . . . . .	15
K. Detailed Component Operating Instructions	
- IntelliFire Touch® . . . . .	16

### 4 Maintenance and Service

A. Maintenance: Frequency and Tasks . . . . .	18
B. Maintenance Tasks - Homeowner . . . . .	18
C. Maintenance Tasks - Qualified Service Technician . . . . .	20

### 5 Frequently Asked Questions and Troubleshooting

A. Frequently Asked Questions - Appliance . . . . .	22
B. Frequently Asked Questions - IntelliFire Touch Controls (IFR-RC400) . . . . .	23
C. Troubleshooting . . . . .	24

### 6 Reference Materials

A. Accessories . . . . .	26
→ B. Service Parts . . . . .	27
C. Contact Information . . . . .	42

→ = Contains updated information.

## B. Limited Warranty

### Hearth & Home Technologies LLC LIMITED WARRANTY

Hearth & Home Technologies LLC (“HHT”) extends the following warranty for HHT gas, wood, pellet and electric hearth appliances (each a “Product” and collectively, the “Product(s)”) and certain component parts set forth in the table below (“Component Part(s)”) that are purchased from a HHT authorized dealer or distributor.

#### **WARRANTY COVERAGE:**

HHT warrants that the Products and their Component Parts will be free from defects in materials and workmanship for the applicable period of Warranty coverage set forth in the table below (“Warranty Period”). If a Product or Component Parts are found to be defective in materials or workmanship during the applicable Warranty Period, HHT will, at our discretion, repair the applicable Component Part(s), replace the applicable Component Part(s), or refund the purchase price of the applicable Product(s). The maximum amount recoverable under this Warranty is limited to the purchase price of the Product. This Warranty is transferable from the original purchaser to subsequent owners, but the Warranty Period will not be extended in duration or expanded in coverage for any such transfer. This Warranty is subject to conditions, exclusions, and limitations as described below.

#### **WARRANTY PERIOD:**

Warranty coverage begins at the date of installation. In the case of new home constructions, Warranty coverage begins six months after invoice of the final sale of the Product(s) by an independent, authorized HHT dealer or distributor. However, the Warranty coverage shall commence no later than 24 months following the date of Product shipment from HHT, regardless of the installation or purchase date.

Warranty Period		HHT Manufactured Appliances and Venting					
Component Parts	Labor	Gas	Pellet	Wood	Electric	Component Parts Covered by this Warranty	
1 Year		X	X	X		All parts including handles, external enameled components and other material except as covered by Warranty Conditions, Warranty Exclusions, and Warranty Limitations listed	
2 Years					X	All parts except as covered by Warranty Conditions, Warranty Exclusions, and Warranty Limitations listed	
			X	X		Glass, Electrical components limited to heating element/igniters, Top feed auger assembly, Blowers, Junction Box, Remotes/Wall switches, linear actuator, power cord, vacuum switch, snap disc, wire harnesses and thermocouple	
		X				Electrical components limited to modules, remotes/wall switches, valves, pilots, blowers, junction boxes, wire harnesses, transformers and lights (excluding light bulbs)	
		X		X		Cement Refractory Panels, Glass Liner Panels	
3 years			X			Firepots, burnpots, Harman mechanical feeders	
5 years		X		X		Catalysts, Vented and Vent Free burners and logs	
10 years	1 year	X				Burners, logs and metal/fiber refractory components of HHT manufactured fireplaces or stoves, venting due to poor workmanship	
10 years	3 years		X	X		Castings, Medallions & Baffles, FlexBurn® System (engine, inner cover, access cover and fireback), Firebox and heat exchanger, HHT Chimney & Terminations, Manifolds	
20 years	3 years	X				Firebox and heat exchanger	
<b>All purchased replacement parts and optional accessories</b>							
1 Year	None	X	X	X	X	All purchased replacement parts and optional accessories	

## B. Limited Warranty (*continued*)

### **WARRANTY CONDITIONS:**

- Because HHT cannot control the quality of any Products sold by unauthorized sellers, this Warranty only covers Products that are purchased through an HHT authorized dealer or distributor unless otherwise prohibited by law; a list of HHT authorized dealers is available on the HHT branded websites.
- This Warranty is only valid while the applicable Product remains at the site of original installation.
- This Warranty is only valid in the country in which the HHT authorized dealer or distributor that sold the applicable Product is authorized to sell applicable Product.
- Contact your installing distributor or dealer for Warranty service. If the installing dealer or distributor is unable to provide necessary parts, contact the nearest HHT authorized dealer or supplier. Additional service fees may apply if you are seeking Warranty service from a dealer other than the dealer from whom you originally purchased the applicable Product.
- No HHT consumer should bear cost of warranty service or costs incurred while servicing warranty claims (i.e., travel, gas, or mileage) when the service is performed within the terms of this Warranty. Check with your dealer or distributor in advance for any costs to you when arranging a warranty call. Travel and shipping charges for parts are not covered by this Warranty.

### **WARRANTY EXCLUSIONS:**

This Warranty does not cover the following:

- Changes in surface finishes as a result of normal use. As a heating appliance, some changes in color of interior and exterior surface finishes may occur. This is not a flaw and is not covered under the Warranty.
- Damage to printed, plated, or enameled surfaces caused by fingerprints, accidents, misuse, scratches, melted items or other external sources and residues left on the plated surfaces from the use of abrasive cleaners or polishes.
- Repair or replacement of parts that are subject to normal wear and tear during the Warranty Period are not covered. These parts include: paint, wood and pellet gaskets, firebricks, wood grates, flame guides, batteries and the discoloration of glass.
- Minor expansion, contraction, or movement of certain parts causing noise. These conditions are normal and complaints related to this noise are not covered by this Warranty.
- Damages resulting from: (1) failure to install, operate, or maintain the applicable Product in accordance with the installation instructions, operating instructions, and listing agent identification label furnished with the applicable Product; (2) failure to install the applicable Product in accordance with local building codes; (3) shipping or improper handling; (4) improper operation, abuse, misuse, continued operation with damaged, corroded or failed components, accident, or improperly/incorrectly performed repairs; (5) environmental conditions, inadequate ventilation, negative pressure, or drafting caused by tightly sealed constructions, insufficient make-up air supply, or handling devices such as exhaust fans or forced air furnaces or other such causes; (6) use of fuels other than those specified in the operation instructions; (7) installation or use of components not supplied with the applicable Product or any other components not expressly authorized and approved by HHT; (8) modification of the appliance not expressly authorized and approved by HHT in writing; and/or (9) interruptions or fluctuations of electrical power supply to the applicable Product.
- Non-HHT venting components, hearth connections or other accessories used in conjunction with the applicable Product.
- Any part of a pre-existing fireplace system in which an insert or a decorative gas applicable Product is installed.
- HHT's obligation under this Warranty does not extend to the Product's capability to heat the desired space. Information is provided to assist the consumer and the dealer in selecting the proper Product for the application. Consideration must be given to the Product location and configuration, environmental conditions, insulation and air tightness of the structure.

**This warranty is void if:**

- The applicable Product has been over-fired, operated in atmospheres contaminated by chlorine, fluorine, or other damaging chemicals. Over-firing can be identified by, but not limited to, warped plates or tubes, deformation/warping of interior cast iron structure or components, rust colored cast iron, bubbling, cracking and discoloration of steel or enamel finishes.
- The applicable Product is subjected to prolonged periods of dampness or condensation.
- There is any damage to the applicable Product due to water or weather damage which is the result of, but not limited to, improper chimney or venting installation.

### **LIMITATIONS OF REMEDIES AND LIABILITY:**

- **EXCEPT TO THE EXTENT PROVIDED BY LAW, HHT MAKES NO EXPRESS WARRANTIES OTHER THAN THE WARRANTY SPECIFIED HEREIN. The owner's exclusive remedy and HHT's sole obligation under this Warranty or in contract, tort or otherwise, shall be limited to, at HHT's sole option, replacement of the Component Part(s), repair of the Component Part(s), or refund of the original purchase price of the applicable Product(s). In no event will HHT be liable for any incidental or consequential damages caused by defects in the applicable Product. Some States do not allow the exclusion or limitation of incidental or consequential damages, so the above limitation or exclusion may not apply to you. This Warranty gives you specific legal rights and you may also have other rights which vary from State to State. THE DURATION OF ANY IMPLIED WARRANTY IS LIMITED TO DURATION OF THE EXPRESSED WARRANTY SPECIFIED ABOVE FOR THE APPLICABLE PRODUCT. Some States do not allow limitations on how long an implied warranty lasts, so the above limitation may not apply to you.**

## 2 Product Specific Information

### A. Appliance Certification

**MODEL:** ECHEL48IN-C, ECHEL60IN-C,  
ECHEL72IN-C

**LABORATORY:** Underwriters Laboratories, Inc. (UL)

**TYPE:** Direct Vent Heater

**STANDARD:** CSA / ANSI Z21.88-2019 • CSA 2.33-2019

This product is listed to ANSI standards for “Vented Gas Fireplace Heaters” and applicable sections of “Gas Burning Heating Appliances for Manufactured Homes and Recreational Vehicles”, and “Gas Fired Appliances for Use at High Altitudes”. Also Certified for Installation in a Bedroom or a Bedsitting Room.

**NOTICE:** *This installation must conform with local codes. In the absence of local codes you must comply with the National Fuel Gas Code, ANSI Z223.1-latest edition in the U.S.A. and the CAN/CGA B149 Installation Codes in Canada.*

**NOT INTENDED FOR USE AS A PRIMARY HEAT SOURCE.** This appliance is tested and approved as either supplemental room heat or as a decorative appliance. It should not be factored as primary heat in residential heating calculations.

**MODEL:** ECHEL36IN-C, ECHEL36STIN-C,  
ECHEL48STIN-C

**LABORATORY:** Underwriters Laboratories, Inc. (UL)

**TYPE:** Decorative Gas Appliances

**STANDARD:** CSA / ANSI Z21.50-2019 • CSA 2.22-2019

This product is listed to ANSI standards for “Vented Decorative Gas Appliances” (and “Gas Fired Appliances for Use at High Altitudes”). Also Certified for Installation in a Bedroom or a Bedsitting Room. for Installation in a Bedroom or a Bedsitting Room.

**NOT INTENDED FOR USE AS A HEAT SOURCE.** This appliance is decorative in nature and not intended to be a source of heat.

**NOT FOR USE WITH SOLID FUEL.** This appliance is not intended to burn solid fuel.

**NOT FOR USE WITH THERMOSTAT.**

Installation and service of this appliance should be performed by qualified personnel. Hearth & Home Technologies recommends HHT Factory Trained or NFI certified professionals.



### B. Glass Specifications

This appliance is equipped with 5 mm ceramic glass. Replace glass only with 5 mm ceramic glass. Please contact your dealer for replacement glass.

### C. BTU Specifications

Models (U.S. or Canada)		Maximum Input BTU/h	Minimum Input BTU/h	Orifice Size (DMS)
ECHEL36IN-C (NG)	(0-2000 FT)	30,000	17,500	#36
ECHEL36IN-C (Propane)	(0-2000 FT)	27,000	15,000	#52
ECHEL36STIN-C (NG)	(0-2000 FT)	30,000	17,500	#36
ECHEL36STIN-C (Propane)	(0-2000 FT)	27,000	15,000	#52
ECHEL48IN-C (NG)	(0-2000 FT)	40,000	21,000	.124
ECHEL48IN-C (Propane)	(0-2000 FT)	34,000	20,000	#50
ECHEL48STIN-C (NG)	(0-2000 FT)	40,000	21,000	.124
ECHEL48STIN-C (Propane)	(0-2000 FT)	34,000	20,000	#50
ECHEL60IN-C (NG)	(0-2000 FT)	50,000	28,000	#28
ECHEL60IN-C (Propane)	(0-2000 FT)	37,500	20,000	#49
ECHEL72IN-C (NG)	(0-2000 FT)	58,000	30,000	#23
ECHEL72IN-C (Propane)	(0-2000 FT)	45,000	25,000	#46

# 3 Important Safety and Operating Information

## A. Appliance Safety

**WARNING! DO NOT operate fireplace before reading and understanding operating instructions. Failure to operate fireplace according to operating instructions could cause fire or injury.**

 **DANGER**



**HOT GLASS WILL CAUSE BURNS.**  
**DO NOT TOUCH GLASS UNTIL COOLED.**  
**NEVER ALLOW CHILDREN TO TOUCH GLASS.**

- Keep children away.
- CAREFULLY SUPERVISE children in same room as fireplace.
- Children and adults should be alerted to the hazards of high surface temperatures and should stay away to avoid burns or clothing ignition.

**High temperatures may ignite clothing or other flammable materials.**

- Clothing, furniture, draperies, and other flammable materials must not be placed on or near the appliance.

---

**A barrier designed to reduce the risk of burns from the hot viewing glass is provided with this appliance and must be installed for the protection of children and other at-risk individuals. DO NOT operate the appliance with the barrier removed. If the barrier becomes damaged, the barrier must be replaced with the manufacturer's barrier for this appliance.**

Contact your dealer or Hearth & Home Technologies if the barrier is not present or help is needed to properly install one.

**WARNING! Choking Hazard!** Keep media out of reach of children.

- Young children should be carefully supervised when they are in the same room as the appliance. Toddlers, young children and others may be susceptible to accidental contact burns.

A physical barrier is recommended if there are at risk individuals in the house. To restrict access to a fireplace or stove, install an adjustable safety gate to keep toddlers, young children and other at risk individuals out of the room and away from hot surfaces.


- Install a switch lock or a wall/remote control with child protection lockout feature.
- Keep remote controls out of reach of children.

- Never leave children alone near a hot fireplace, whether operating or cooling down.
- Teach children to NEVER touch the fireplace.
- Consider not using the fireplace when children will be present.

Contact your dealer for more information, or visit: [www.hpba.org/Product-Info/Fireplace-Stove-Heater/Glass-Fronts-Safety](http://www.hpba.org/Product-Info/Fireplace-Stove-Heater/Glass-Fronts-Safety).

To prevent unintended operation when not using your fireplace for an extended period of time (summer months, vacations, trips, etc):

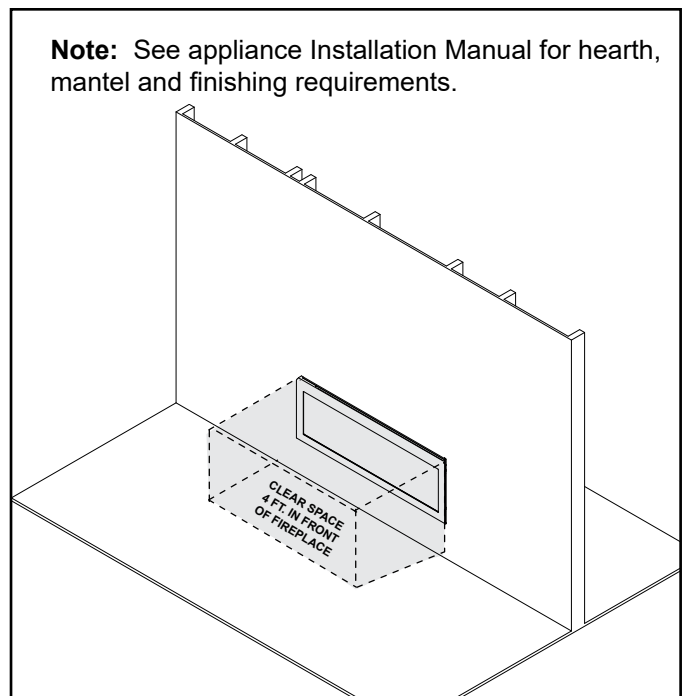
- Remove batteries from remote controls.
- Turn off wall controls.

 **WARNING:** This product and the fuels used to operate this product (liquid propane or natural gas), and the products of combustion of such fuels, can expose you to chemicals including benzene, which is known to the State of California to cause cancer and reproductive harm. For more information go to: [www.P65Warnings.ca.gov](http://www.P65Warnings.ca.gov).

## Clear Space

**WARNING! DO NOT place combustible objects in front of the fireplace or block fireplace openings. High temperatures could start a fire. See Figure 3.1.**

Avoid placing candles and other heat-sensitive objects on mantel or hearth. Heat could damage these objects.



**Figure 3.1 Clear Space Requirement - All Models**

## B. General Operating Parts

Figure 3.2 references the general operating parts of the appliance and the section of this manual in which they are discussed. Heat management options are discussed in Section 3.I.

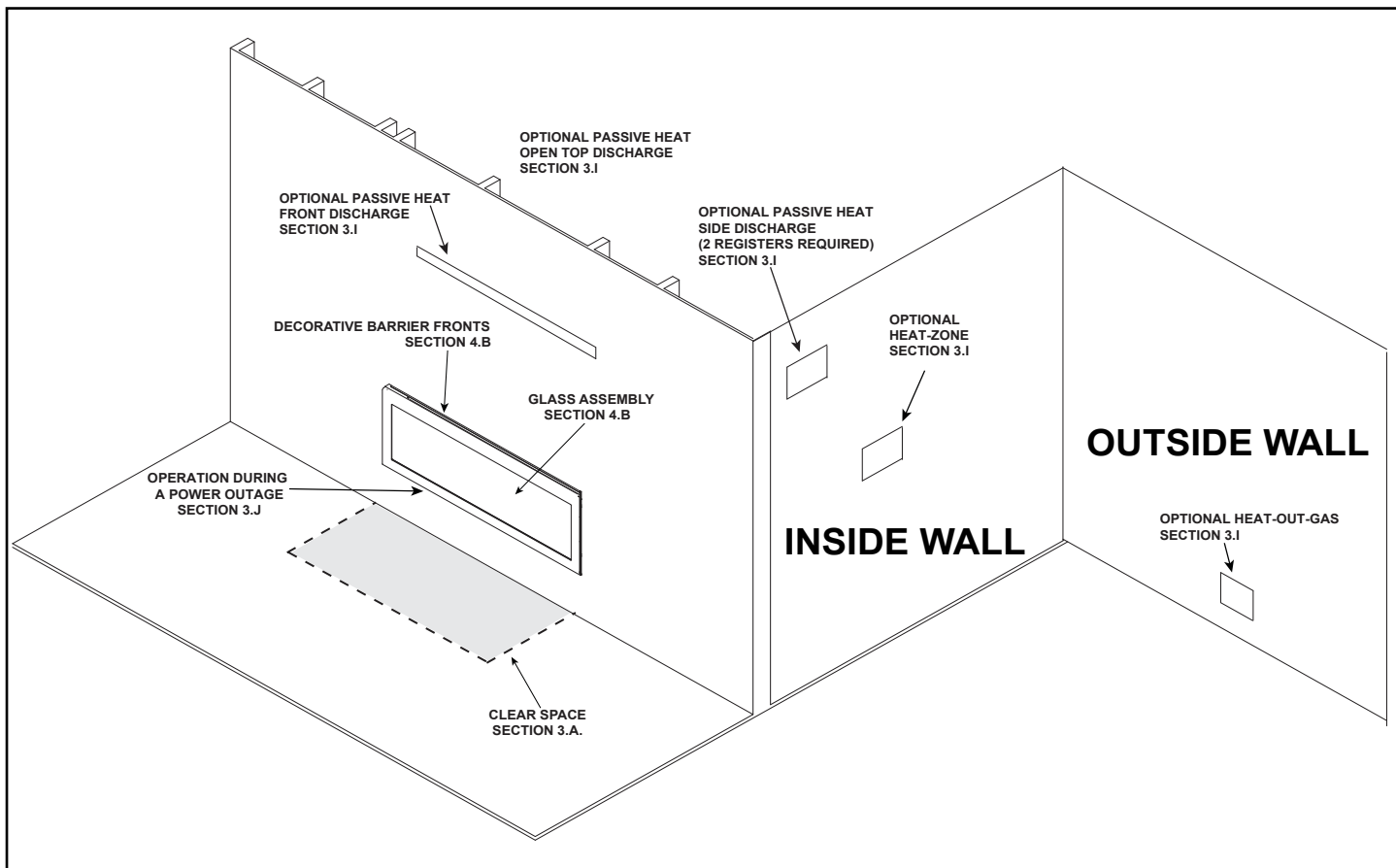


Figure 3.2 General Operating Parts

## C. Fuel Specifications

**WARNING! Risk of Fire or Explosion! Appliance must be set up for compatible gas type!**

- This appliance is designed to operate on either natural gas or propane. Make sure the appliance is compatible with gas type selected for installation site.
- Conversions must be made by a qualified service technician using Hearth & Home Technologies specified and approved parts.

## D. Wall and Mantel Temperatures

### ANSI/CSA Standards

The American National Standards Institute (ANSI) and Canadian Standards Association (CSA) write the safety and performance standards to which all gas fireplaces are tested. The following are the allowable temperatures around and on a gas fireplace per the ANSI/CSA standards:

### Combustible Mantel and Surfaces around a Fireplace

The allowable temperature rise above ambient is 117°F for all exposed combustible surfaces around the fireplace, including the mantel, when installed according to the installation instructions. Non-combustible surfaces and mantels do not have a maximum temperature limit; however the installation instructions must still be followed for any restrictions on placement of non-combustible materials on or around the fireplace.

Example: The mantel above a fireplace in a room that is 70 °F is allowed to reach but not exceed 187 °F (70 °F+117 °F = 187 °F).



## E. Good Faith Wall Surface/TV Guidelines

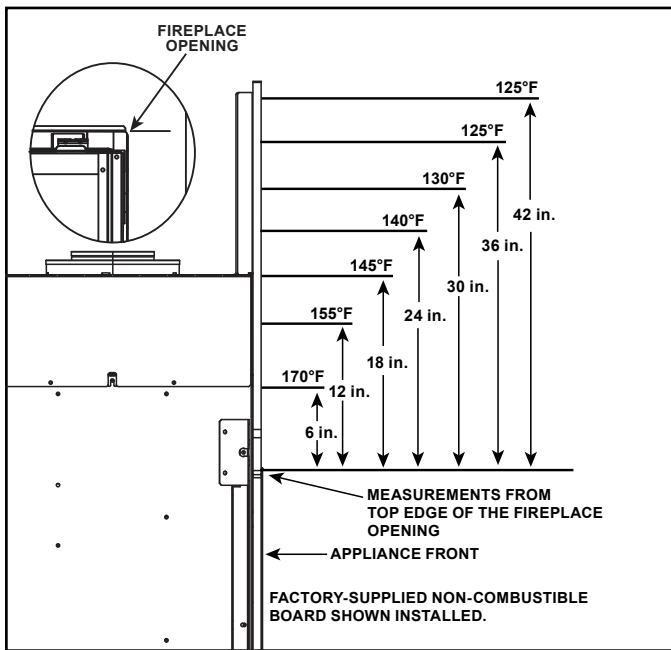


Figure 3.3 Good Faith Wall Surface Temperatures Above Appliance (ECHL36IN-C/ECHL36STIN-C/ECHL48IN-C/ECHL48STIN-C)

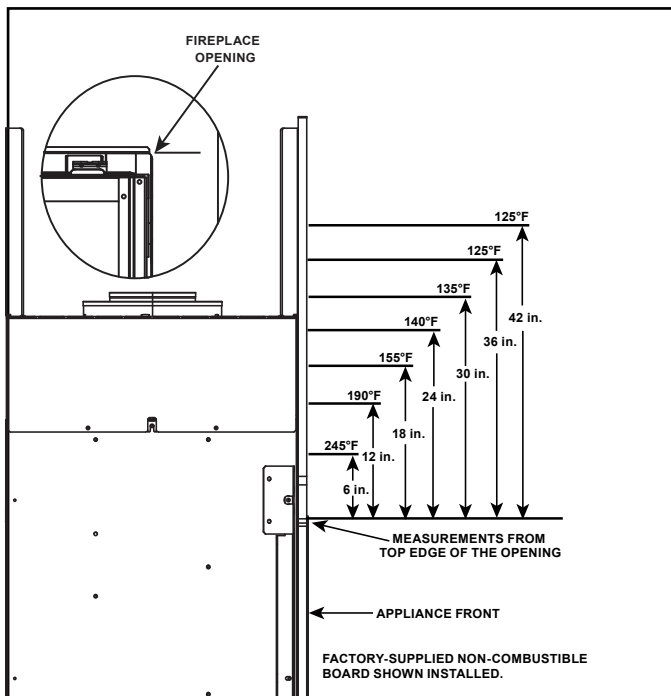


Figure 3.4 Good Faith Wall Surface Temperatures Above Appliance (ECHL60IN-C/ECHL72IN-C)

If installing a television (TV) above the appliance, see Section 3 of the appliance Owner's Manual.

**NOTICE:** Surface temperatures listed above are taken with a temperature measuring probe as prescribed by the test standard used for appliance certification. Temperatures on walls or mantels taken with an infrared thermometer may yield increased temperatures of up to 30°F (17°C) or more depending on the thermometer settings and material characteristics being measured. Use appropriate finishing materials that are able to withstand these conditions. For additional finishing guidelines, see Section 10 in the appliance installation manual.

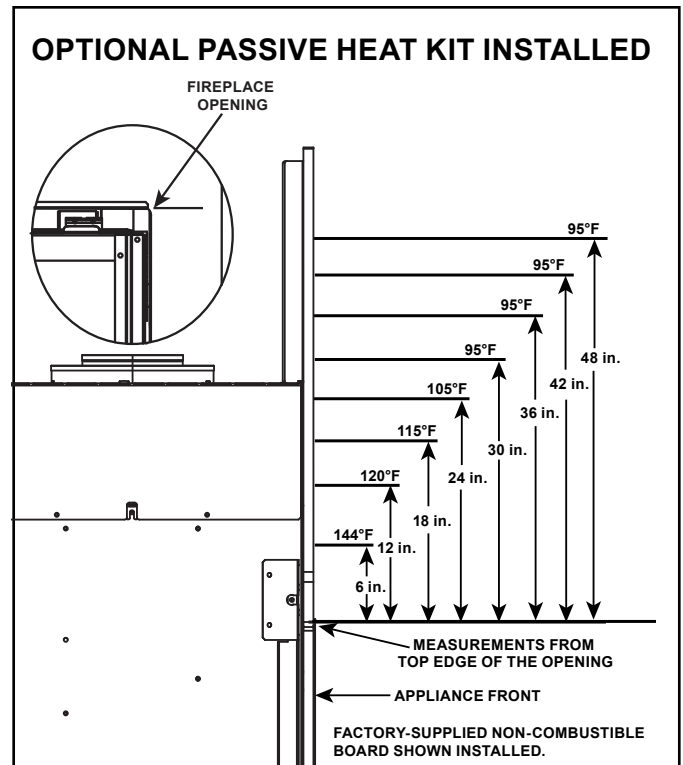
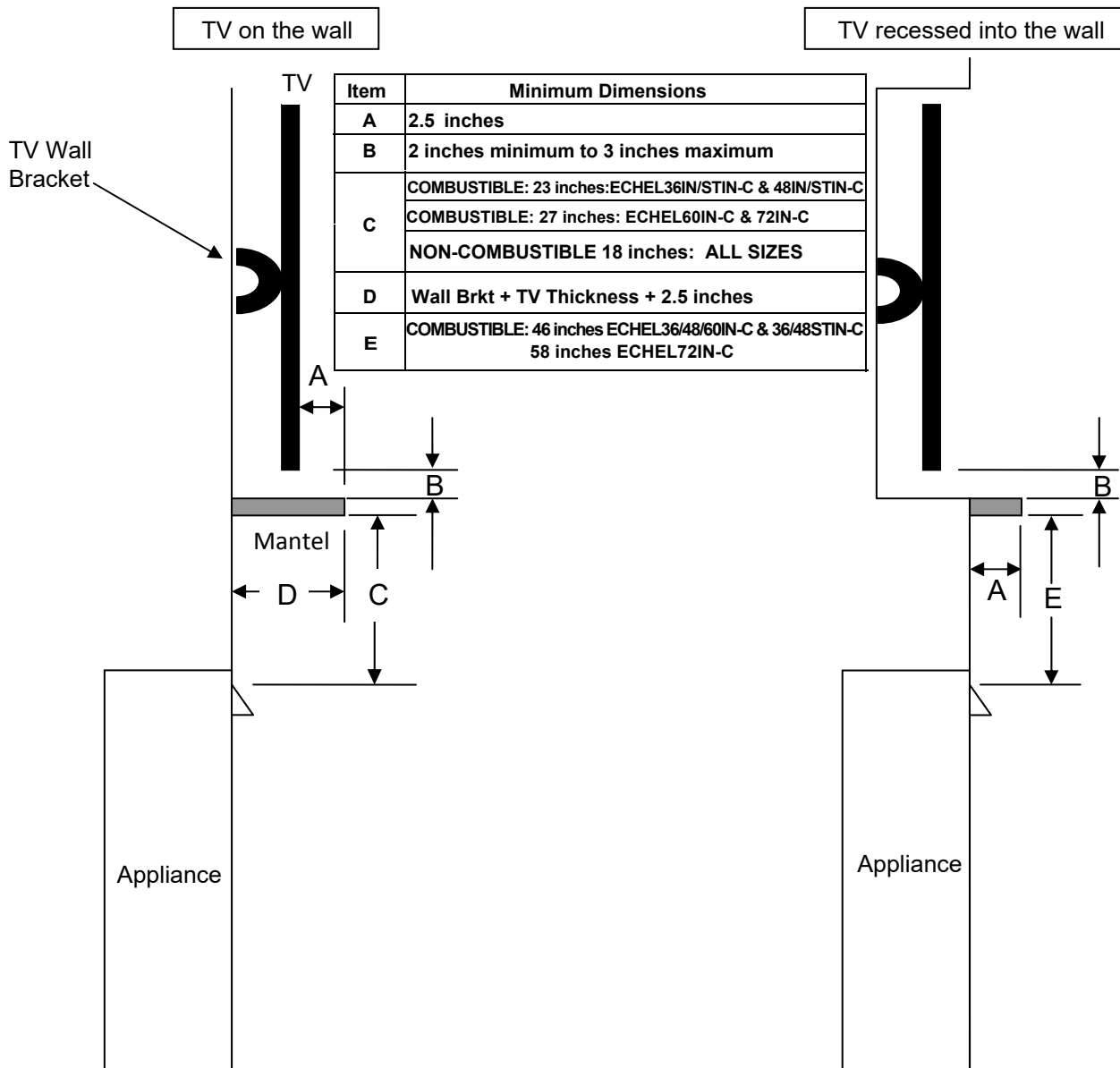


Figure 3.5 Good Faith Wall Surface Temperatures Above Appliance with Passive Heat Kit Installed

# Good Faith Guidelines for TV Installations Above Appliance



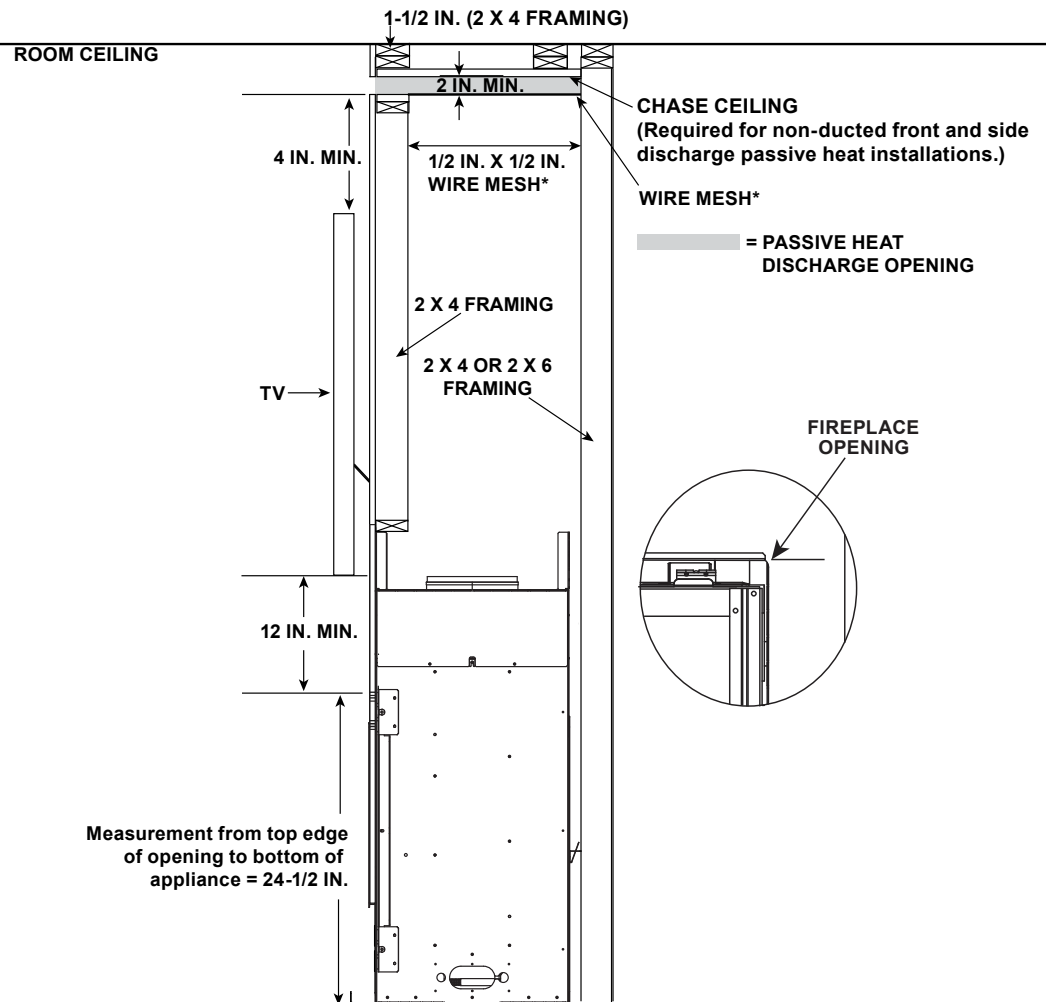
**Notes:**

1. These are good faith recommended clearances only and not a guarantee of compliance with all TV manufacturers' maximum allowable operating temperatures.
2. Since every home has unique air flow characteristics and maximum allowable operating temperatures can vary from manufacturer to manufacturer and from model to model, actual TV temperatures should be validated at the time of each installation. TVs should not be used in situations where the actual TV temperature exceeds the manufacturers' maximum allowable operating temperatures identified in the TV's technical specifications. Contact the TV's manufacturer directly if you cannot locate this information or have questions regarding the information.
3. Mantel height and depth must conform to mantel requirements specified in the fireplace installation manual.
4. "C" and "E" dimensions taken from the top of the hood or fireplace opening.
5. Suggestions on how to further reduce TV temperatures:
  - a. Increase "A" dimension.
  - b. Increase "C" and "E" dimension, however, increasing "B" dimension beyond maximum recommended typically results in higher temperatures.

Figure 3.6 Good Faith TV Guidelines

**Good Faith Guidelines for TV Installations  
Above a ECHELON-C Fireplace with Passive Heat Option  
(Single-Sided Appliance Shown)**

**WARNING! Risk of Fire!** Wire mesh required on bottom of discharge opening when discharge opening is greater than 3 inches. Secure wire mesh to top of framing.



\* Wire mesh required for front discharge or open top discharge passive heat installations with discharge opening of 3 inches or greater.

Figure 3.7 Good Faith TV Guidelines - Passive Heat Option

## F. Before Lighting Appliance

Before operating this fireplace for the first time, **it is recommended that a qualified service technician:**

- Verify all shipping materials have been removed from inside and/or underneath the firebox.
- Review proper placement of logs, ember material and/or other decorative materials.
- Check the wiring.
- Check the air shutter adjustment.
- Ensure that there are no gas leaks.
- Ensure that the glass is sealed and in the proper position and that the integral barrier is in place.

***WARNING! Risk of Fire or Asphyxiation! DO NOT operate fireplace with fixed glass assembly removed.***

## G. Lighting Instructions (IPI)

### FOR YOUR SAFETY READ BEFORE LIGHTING



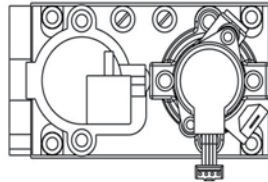
**WARNING:** If you do not follow these instructions exactly, a fire or explosion may result causing property damage, personal injury or loss of life.

- A. This appliance is equipped with an intermittent pilot ignition (IPI) device which automatically lights the burner. **DO NOT** try to light the burner by hand.
  - B. **BEFORE LIGHTING**, smell all around the appliance area for gas. Be sure to smell next to the floor because some gas is heavier than air and will settle on the floor.
- WHAT TO DO IF YOU SMELL GAS**
- **DO NOT** try to light any appliance.
  - **DO NOT** touch any electric switch; do not use any phone in your building.
  - Immediately call your gas supplier from a neighbor's phone. Follow the gas supplier's instructions.
  - If you cannot reach your gas supplier, call the fire department.
- C. Use only your hand to push in or turn the gas control knob. Never use tools. If the knob will not push in or turn by hand, **DO NOT** try to repair it, call a qualified service technician. Force or attempted repair may result in a fire or explosion.
  - D. **DO NOT** use this appliance if any part has been under water. Immediately call a qualified service technician to inspect the appliance and to replace any part of the control system and any gas control which has been under water.

### LIGHTING INSTRUCTIONS (IPI)

1. This appliance is equipped with an ignition device which automatically lights the burner. **DO NOT** try to light the burner by hand.
2. Wait five (5) minutes to clear out any gas. Then smell for gas, including near the floor. If you smell gas, **STOP!** Follow "B" in the Safety Information located on the top of this label. If you do not smell gas, go to next step.

**GAS  
VALVE**



3. To light the burner:  
Equipped with wall switch: Turn ON/OFF switch to ON.  
Equipped with remote or wall control: Press ON or FLAME button.  
Equipped with thermostat: Set temperature to desired setting.
4. If the appliance does not light after three tries, call your service technician or gas supplier.

### TO TURN OFF GAS TO APPLIANCE

1. Equipped with wall switch: Turn ON/OFF switch to OFF.  
Equipped with remote or wall control: Press OFF button.  
Equipped with thermostat: Set temperature to lowest setting.
2. Service technician should turn off electric power to the control when performing service.



# DANGER



**HOT GLASS WILL CAUSE BURNS.  
DO NOT TOUCH GLASS UNTIL COOLED.  
NEVER ALLOW CHILDREN TO TOUCH GLASS.**

A barrier designed to reduce the risk of burns from the hot viewing glass is provided with this appliance and must be installed for the protection of children and other at-risk individuals.

## WARNING:

**DO NOT CONNECT LINE VOLTAGE (110/120 VAC OR 220/240 VAC) TO THE CONTROL VALVE.**

Improper installation, adjustment, alteration, service or maintenance can cause injury or property damage. Refer to the owner's information manual provided with this appliance. For assistance or additional information, consult a qualified installer, service agency or the gas supplier.

This appliance needs fresh air for safe operation and must be installed so there are provisions for adequate combustion and ventilation air.



**WARNING:** This product and the fuels used to operate this product (liquid propane or natural gas), and the products of combustion of such fuels, can expose you to chemicals including benzene, which is known to the State of California to cause cancer and reproductive harm. For more information go to: [www.P65Warnings.ca.gov](http://www.P65Warnings.ca.gov).

Keep burner and control compartment clean. See installation and operating instructions accompanying appliance.

## CAUTION:

Hot while in operation. **DO NOT** touch. Keep children, clothing, furniture, gasoline and other liquids having flammable vapors away.

**DO NOT** operate the appliance with fixed glass assembly removed, cracked or broken. Replacement of the fixed glass assembly should be done by a licensed or qualified service person.

### NOT FOR USE WITH SOLID FUEL

For use with natural gas and propane. A conversion kit, as supplied by the manufacturer, shall be used to convert this appliance to the alternate fuel.

Also Certified for Installation in a Bedroom or a Bed sitting Room.

This appliance must be installed in accordance with local codes, if any; if none, follow the *National Fuel Gas Code, ANSI Z223.1/NFPA 54*, or the *National Gas and Propane Installation code, CSA B149.1*.

**For additional information on operating your  
Hearth & Home Technologies fireplace, please  
refer to [www.hearthnhome.com](http://www.hearthnhome.com).**

593-913K

## H. Appliance Break-In

Follow the initial break-in procedure below to cure the materials used to manufacture the fireplace and the finishing materials around it.

- The fireplace should be run three to four hours continuously on high.
- Turn the fireplace off and allow it to cool completely.
- Remove fixed glass assembly. See Section 4.B.
- Clean fixed glass assembly. See Section 4.B.
- Replace the fixed glass assembly and run continuously on high an additional 6-12 hours.

**Note:** Some IPI systems have a safety feature that automatically shuts down the fireplace after 9 hours of continuous operation without receiving a command from the remote control. If this occurs, restart the appliance.

**NOTICE! Open windows for air circulation during fireplace break-in.**

- *Some people may be sensitive to smoke and odors.*
- *Smoke detectors may activate.*

## I. Heat Management

### Burn Rate

The ECHELON-C models have a variable burn rate which is controlled by the remote control. Therefore the flame height is adjustable.

The flame height may be adjusted as desired by locating the flame option on the remote control and adjusting up or down to desired flame height.

### Optional Heat Management System

An optional heat management system, which allows the heat from the appliance to be redirected as desired, may be installed with this appliance. It may be either a Heat-Zone®-Gas, which diverts heat into an adjacent room, and/or a HEAT-OUT-GAS which will divert heat outside the home/building and/or a Passive Heat kit which disperses the heat into the same room as the fireplace.

Refer to Section 6 of the appliance installation manual to confirm which of the heat management systems may be installed together. All heat management systems must be installed by a qualified service technician at the time of appliance installation.

#### Optional Heat-Zone®-Gas Kit

The Heat-Zone-Gas heat management option is available for use with the ECHELON-C appliances and must be used in conjunction with the IFT-RC400 control. The Heat-Zone-Gas Kit draws heat from your fireplace and directs it to an adjacent room in your home, up to 20 feet away.

#### Optional Heat-Out-Gas Kit

The HEAT-OUT-GAS heat management option is available for use with the ECHELON-C appliances and is operated with a wall switch. The HEAT-OUT-GAS Kit draws heat from your fireplace and directs it outside, up to 25 feet away.

#### Optional Passive Heat Kit

The Passive Heat heat management option is available for use with the ECHELON-C appliances. The Passive Heat Kit allows the heat to be vented into the room through one front discharge, two side discharges or an open top discharge while the fireplace is in operation.

## J. Operation During A Power Outage

The IntelliFire Touch® intermittent pilot ignition system comes with a battery backup feature that enables the system to operate in a power outage. The system offers seamless transition from household AC power to battery backup. A factory-installed battery pack is located in the control cavity of the appliance. See Figure 3.9. Battery longevity and performance will be affected by long term exposure to the service temperatures of this appliance.

**NOTICE:** Batteries should only be used as a power source in the event of an emergency power outage. Batteries should not be used as a primary long-term power source. Batteries tend to corrode over time.

### To Operate Fireplace Using Battery Power (DC):

1. Access the control cavity of the appliance. See Figure 3.8 for location. The decorative barrier front, bottom glass shield, insulation and component heat shield will need to be removed.
2. Locate the battery tray and insert four AA cell batteries. Battery polarity must be correct or module damage will occur. See Figure 3.9. A complete wiring diagram is included in the Electrical section of the appliance Installation Manual.
3. Reinstall the component heat shield, insulation, bottom glass shield and decorative barrier front.
4. Turn the appliance on according to the instructions below for the appropriate type of control:

Standard Wall Switch or Factory-Installed ON/OFF Switch:

- Toggle the switch as you would under normal circumstances.

Wireless Remote:

- Remote receiver is integrated into the ignition module
- Use the remote to turn the appliance on.
- To preserve battery life, do not use the HI/LO flame or THERMOSTAT options.

**NOTICE:** Some functionality will be lost when using battery backup including fan, lights, or any other auxiliary functions that require household 110-120 VAC power.

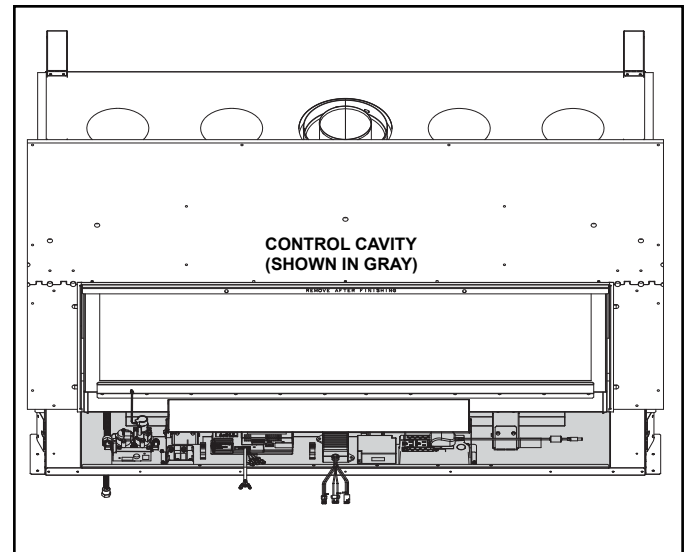
### To Return to Operation Using Electrical (AC) Power

Wall Switch

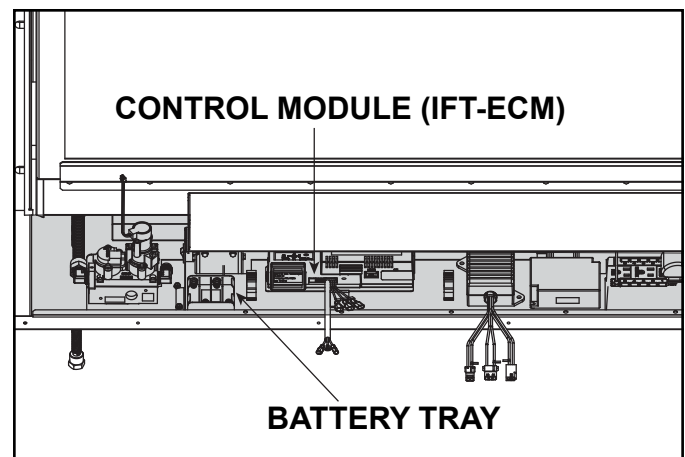
- Toggle the switch to OFF.
- Allow the appliance to cool down completely.
- Remove the batteries from the battery tray.
- Replace decorative barrier front on appliance.

Wireless Remote:

- Use the remote to turn the appliance OFF.
- Allow the appliance to cool down completely.
- Remove the batteries from the battery tray.
- Replace decorative barrier front on appliance.



3.8 Control Cavity Location



3.9 Battery Tray Location

## K. Detailed Component Operating Instructions - IntelliFire Touch®

### IFT-ECM Detailed Operating Instruction

This model is shipped from the factory equipped with the IFT-RC400 remote.

1. The Electronic Control Module (IFT-ECM) has a three-position ON/OFF/REMOTE selector switch that must be set for proper operation. See Figure 3.10. When changing switch positions, it is important to pause in each position for 1-2 seconds.

#### OFF Position:

The appliance will not respond to any commands from a wired wall switch or IFT-RC400 remote control. The unit should be in the OFF position during service, fuel conversion, and to reset the IFT-ECM in the event the system goes into a LOCK-OUT mode as the result of a system error. When switched to the OFF position while the appliance is operating, the system will shut down.

#### ON Position:

The appliance will ignite and run continuously at the HI flame setting. No adjustment in flame height is possible.

#### Remote Position:

The remote position allows operation of the appliance from a wired wall switch or IFT-RC400 remote controls. The IFT-ECM switch must be in this position to pair the IFT-ECM with the IFT-ACM (if installed), and/or IFT-RC400 remote control. See the IFT-RC400 installation manual for detailed instructions on pairing the IFT-ECM with the remote controls. After successfully pairing a IFT-RC400, all installed accessories can be controlled by the IFT-RC400 (see IFT-RC400 user manual). The IFT-ECM has a safety feature that will automatically shut down the fireplace after 9 hours of continuous operation without receiving a command from the IFT-RC400.

**The IFT-ECM has a safety feature that will automatically shut down the fireplace after 9 hours of continuous operation in the ON position, except when operated in active thermostat mode.**

2. If multiple control options are installed, the IFT-ECM will respond to the last command from the wired wall switch or IFT-RC400. The wired wall switch is NOT available if a Power Vent is used.
3. The Pilot button on the IFT-ECM activates the Cold Climate function of the fireplace. This function lights the pilot flame ONLY to provide enough heat in the firebox to reduce condensation in cool, high humidity ambient conditions. To activate the Cold Climate

press and hold the Pilot button for one second and release. The IFT-ECM will flash two green LED blinks, beep twice and light and rectify the pilot flame when pressed to activate. To turn off Cold Climate, press and hold the Pilot button for one second and release. The IFT-ECM will flash one green LED blink, beep once and shut down the pilot flame. If remote controls are paired with the IFT-ECM, this feature can also be activated with the IFT-RC400.

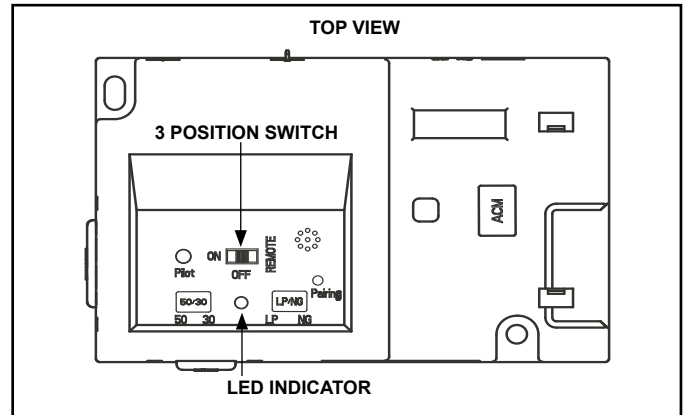




Figure 3.10 IFT-ECM



# DANGER



## Risk of Explosion

**DO NOT** cycle the ON/OFF/REM selector switch more than one time within a five minute period. Gas may accumulate in firebox. Call a qualified service technician.

### Reset Switch Operation

**CAUTION! Risk of burns!** Appliance surfaces are hot when operating and during cool down. Use care and wear gloves when opening the front and accessing components inside the appliance.

The control module (IFT-ECM) may lock out under certain conditions. When this occurs, the appliance will not ignite or respond to commands and is shut down. If the IFT-ECM is in the LOCK-OUT mode, it will be necessary to reset the control module.

For natural gas applications, the IFT-ECM has a soft lockout. This means the appliance will have to be restarted using the FLAME function on the remote control.

For propane applications, the appliance has a hard lockout and the IFT-ECM must be reset. This appliance has a reset switch located inside the control cavity for propane applications. See Figure 3.12 for approximate location.



### To reset the IFT-ECM Control Module:

- Be aware the appliance may be HOT, use care in accessing the reset switch.
- Turn the appliance off at a wall switch location if so equipped.
- Wait five minutes to allow possible accumulated gas to clear.

### For Propane Applications Only:

- Remove decorative barrier front from appliance.
- Remove bottom glass shield from appliance as shown in Figure 3.11.
- Locate reset switch inside the appliance. See Figure 3.12. Hold reset switch down for one second and release. A “beep” will signal module is reset.

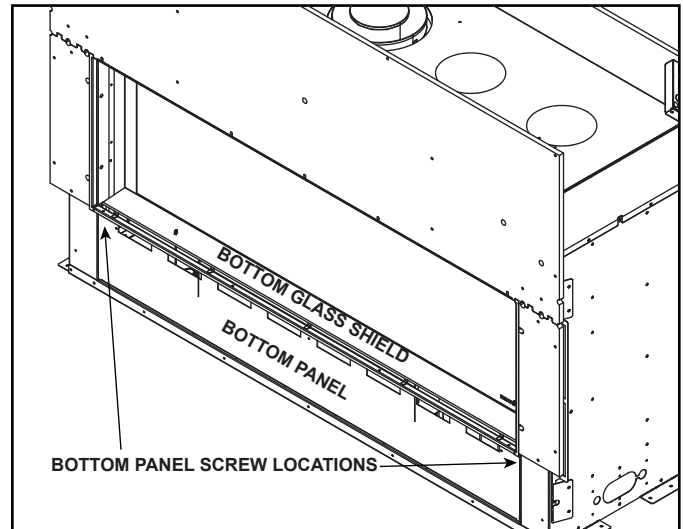


Figure 3.11 Bottom Panel Location

### Appliances with Wall Switch and Remote

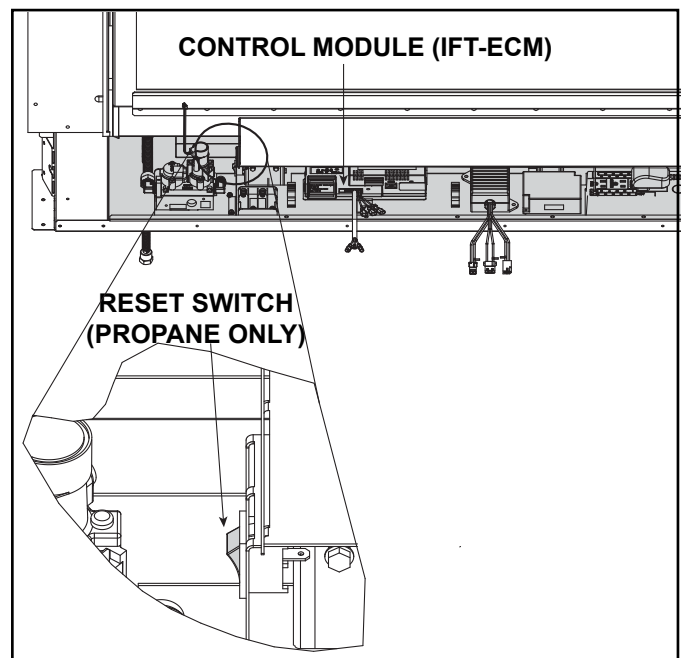
- Turn wall switch back to “ON” position. Go to main menu on remote control and restart fireplace. The fireplace will start as it would under normal circumstances.

### Appliances with Wall Switch Only:

- Turn wall switch back to “ON” position. The fireplace will ignite as it would under normal circumstances.

### Appliances with Remote Only:

- Turn fireplace back on using the main menu on the remote control. The fireplace will ignite as it would under normal circumstances.
- Reinstall bottom glass shield.
- Reinstall decorative barrier front on appliance.
- If the IFT-ECM re-enters the LOCK-OUT condition after this procedure, contact your dealer for service.



3.12 IFT-ECM and Reset Switch Location - Top View

### Appliance ON/OFF:

A wall control, thermostat or remote control may be used to control the ON/OFF function of the appliance. Follow instructions included with the installed control.

### LED's

- This appliance is shipped standard with LED lights.
- The LED's must be used in conjunction with the IFT-RC400 remote control. The intensity of these lights is controlled through the RC400 remote control.

# 4 Maintenance and Service

**IMPORTANT!** Any safety screen, decorative barrier front or guard removed for servicing must be replaced prior to operating the fireplace.

When properly maintained, your fireplace will give you many years of trouble-free service. **Contact your dealer** to answer questions regarding proper operation, troubleshooting and service for your appliance. Visit [www.majesticproducts.com](http://www.majesticproducts.com) to locate a dealer. We recommend annual service by a qualified service technician.

## A. Maintenance: Frequency and Tasks

Task	Frequency	To be completed by
Glass Cleaning	Seasonally	Homeowner
Surrounds, Decorative Barrier Fronts	Annually	
Remote Control	Seasonally	
Venting and Termination Cap	Seasonally	
Gasket Seal and Glass Inspection	Annually	Qualified Service Technician
Log Inspection	Annually	
Firebox Inspection	Annually	
Control Compartment & firebox Top	Annually	
Pilot and Burner Ignition & Operation	Annually	
Electrical Service and Repair	As needed	

## B. Maintenance Tasks - Homeowner

Installation and repair should be done by a qualified service technician only. The appliance should be inspected before use and at least annually by a professional service person.

The following tasks may be performed annually by the homeowner. If you are uncomfortable performing any of the listed tasks, please call your dealer for a service appointment.

More frequent cleaning may be required due to excessive lint from carpeting, bedding material, etc. It is imperative that control compartments, burners and circulating air passageways of the appliance be kept clean. Any safety screen, guard, or barrier removed for servicing the appliance must be replaced prior to operating the appliance.

**CAUTION! Risk of Burns!** The fireplace shall be turned off and cooled before servicing.

## Glass Cleaning

**Frequency:** Seasonally

**By:** Homeowner

**Tools Needed:** Protective gloves, gas fireplace glass cleaner, drop cloth and a stable work surface.

**CAUTION! Handle fixed glass assembly with care.** Glass is breakable.

- Avoid striking, scratching or slamming glass
  - **DO NOT** use abrasive cleaners
  - **DO NOT** clean glass while it is hot
- Prepare a work area large enough to accommodate fixed glass assembly and decorative barrier front by placing a drop cloth on a flat, stable surface.

**Note:** Fixed glass assembly and gasketing may have residue that can stain carpeting or floor surfaces.

- Remove decorative barrier front from fireplace and set aside on work surface.

## Removing Fixed Glass Assembly

1. Remove the decorative barrier front from fireplace and set aside on work surface.
2. Remove bottom glass shield.
3. Locate the glass spring latches that are on the upper edge of the glass frame of the appliance. See Figure 4.1.
4. Use both index fingers to release spring latches. See Figure 4.1.
5. Allow glass to tilt forward. Grasp glass on the upper return lip of glass frame and lift up and out. The glass should lift easily out of the bottom retaining lip.

## Cleaning Fixed Glass Assembly

- Clean glass with a non-abrasive, non-ammonia based, commercially available gas fireplace glass cleaner.
  - Light deposits: Use a soft cloth with soap and water
  - Heavy deposits: Use commercial fireplace glass cleaner (consult with your dealer)

## Replacing Fixed Glass Assembly

1. Locate retaining lip on lower front face of firebox.
2. Place glass assembly into retaining lip end. Tilt top of glass assembly toward fireplace.
3. Carefully set fixed glass assembly in place on fireplace. Hold glass in place with one hand and secure glass latches with the other hand. Assure proper left and right placement of glass and engage all four spring latches.

Inspect and operate all glass latches to ensure they move freely and no obstructions are present.

4. Reinstall bottom glass shield.
5. Reinstall decorative barrier front.

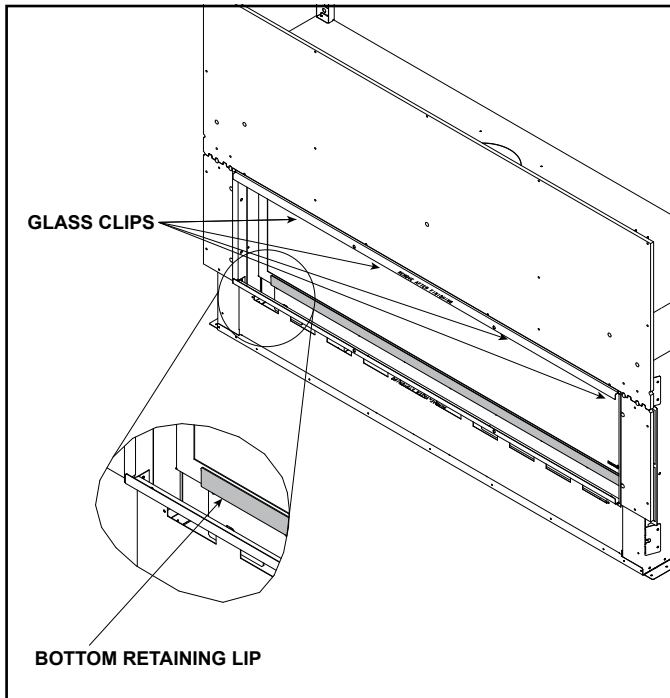


Figure 4.1 Fixed Glass Assembly

## Surrounds, Decorative Barrier Fronts

**Frequency:** Annually

**By:** Homeowner

**Tools needed:** Protective gloves, stable work surface

- Assess condition of screen and replace as necessary.
- Inspect for scratches, dents or other damage and repair as necessary.
- Check that air intake and discharge areas are not blocked.
- Vacuum and dust surfaces.

## Remote Control

**Frequency:** Seasonally

**By:** Homeowner

**Tools needed:** Replacement batteries and remote control instructions.

- Locate remote control transmitter and receiver.
- Verify operation of remote. Refer to remote control operation instructions for proper calibration and setup procedure.
- Place batteries as needed in remote transmitters and battery-powered receivers.
- Place remote control out of reach of children.

If not using your fireplace for an extended period of time (summer months, vacations/trips, etc), to prevent unintended operation:

- Remove batteries from remote controls.
- Unplug 6 volt adapter plug on IPI models.

## Venting and Termination Cap

**Frequency:** Seasonally

**By:** Homeowner

**Tools needed:** Protective gloves and safety glasses.

- Inspect exposed venting and termination cap for blockage or obstruction such as plants, bird nests, leaves, snow, debris, etc.
- Verify termination cap clearance to subsequent construction (building additions, decks, fences, or sheds).
- Inspect for corrosion or separation.
- Verify caulking and sealing of vent components and termination cap remains intact.
- Inspect draft shield to verify it is not damaged or missing.

## C. Maintenance Tasks - Qualified Service Technician

The following tasks must be performed by a qualified service technician.

### Gasket Seal and Glass Assembly Inspection

**Frequency:** Annually

**By:** Qualified Service Technician

**Tools needed:** Protective gloves, drop cloth and a stable work surface.

- Inspect gasket seal and its condition.
- Inspect fixed glass assembly for scratches and nicks that can lead to breakage when exposed to heat.
- Confirm there is no damage to glass or glass frame. Replace as necessary.
- Verify that fixed glass assembly is properly retained and attachment components are intact and not damaged. Replace as necessary.

### Log Inspection

**Frequency:** Annually

**By:** Qualified Service Technician

**Tools needed:** Protective gloves.

- Inspect for damaged or missing logs. Replace as necessary. Refer to Installation manual for log placement instructions.
- Verify correct log placement and no flame impingement causing sooting. Correct as necessary.

### Firebox Inspection

**Frequency:** Annually

**By:** Qualified Service Technician

**Tools needed:** Protective gloves, sandpaper, steel wool, cloths, mineral spirits, primer and touch-up paint.

- Inspect for paint condition, warped surfaces, corrosion or perforation. Sand and repaint as necessary.
- Replace fireplace if firebox has been perforated.

### Control Compartment and Firebox Top

**Frequency:** Annually

**By:** Qualified Service Technician

**Tools needed:** Protective gloves, vacuum cleaner, dust cloths

- Vacuum and wipe out dust, cobwebs, debris or pet hair. Use caution when cleaning these areas. Screw tips that have penetrated the sheet metal are sharp and should be avoided.
- Remove all foreign objects.
- Verify unobstructed air circulation.

## Pilot and Burner Ignition and Operation

**Frequency:** Annually

**By:** Qualified Service Technician

**Tools needed:** Protective gloves, vacuum cleaner, whisk broom, flashlight, voltmeter, indexed drill bit set, and a manometer.

- Inspect orifice for soot, dirt and corrosion. Verify orifice size is correct. See Service Parts List for proper orifice sizing.
- Verify air shutter setting is correct. See Installation Manual for required air shutter setting. Verify air shutter is clear of dust and debris.
- Verify burner is properly secured and aligned with pilot or igniter.
- Clean off burner top, inspect for plugged ports, corrosion or deterioration. Replace burner if necessary.
- Inspect IPI flame sensing rod for soot, corrosion and deterioration. Polish with 320 grit Emery cloth and/or 3M™ Scotch-Brite Abrasive Hand Pad.
- Verify that there is not a short in flame sense circuit by checking continuity between pilot hood and flame sensing rod. Replace pilot as necessary.
- Verify manifold and inlet pressures. Adjust regulator as required.
- Check all accessible gas-carrying tubes, connections, pipes and other components for leaks.
- Inspect pilot flame pattern and strength. See Figure 4.2 for proper pilot flame pattern. Clean or replace orifice spud as necessary.
- Check for smooth lighting and ignition carryover to all ports. Verify that there is no ignition delay. Inspect and ensure the lighting of the main burner occurs within four seconds of the main gas valve opening.
- Inspect for lifting or other flame problems.
- Verify batteries have been removed from battery back-up IPI systems to prevent premature battery failure or leaking.

**NOTE:** Appearance of rock jig, pilot shield and media tray may vary between appliance models.

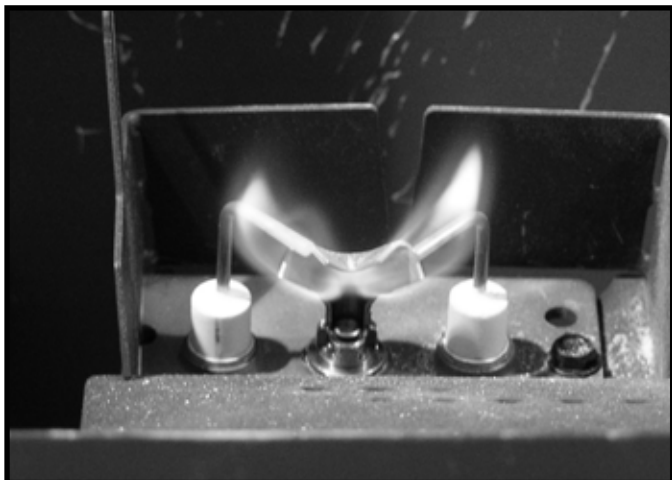


Figure 4.2 IPI Pilot Flame Patterns

## Electrical Service and Repair

**WARNING! Risk of Shock!** Label all wires prior to disconnection when servicing controls. Wiring errors could cause improper and dangerous operation. Verify proper operation after servicing.

**WARNING! Risk of Shock!** Replace damaged wire with type 105° C rated wire. Wire must have high temperature insulation.

# 5 Frequently Asked Questions and Troubleshooting

## A. Frequently Asked Questions - Appliance

ISSUE	SOLUTIONS
Condensation on the glass	<p>This is a result of gas combustion and temperature variations. Prior to appliance being turned on, the inside of the glass has cooled below the dew point producing a byproduct of combustion: water in the form of condensation. As the fireplace glass warms, the condensation will disappear.</p> <p>In the summer, the inside of your fireplace contains hot humid air from outdoors. When the air from outdoors contacts glass cooled below the dew point by your air conditioning, moisture in that air will condense.</p>
Blue flames	This is a result of normal operation and the flames will begin to yellow as the fireplace is allowed to burn for 20 to 40 minutes.
Erratic flames	Verify that the glass assembly is correctly installed and that all glass latches are engaged over the tabs on the glass frame. Vent baffle/flue restrictor may be needed when long vertical vent runs are used. Refer to Installation Manual, Section 4 Vent Diagrams.
Odor from fireplace	When first operated, this fireplace may release an odor for the first several hours. This is caused by the curing of the paint and the burning off of any oils remaining from manufacturing. Odor may also be released from finishing materials and adhesives used around the fireplace. These circumstances may require additional curing related to the installation environment.
Film on the glass	This is a normal result of the curing process of the paint and logs. Glass should be cleaned within 3 to 4 hours of initial burning to remove deposits left by oils from the manufacturing process. A non-abrasive cleaner such as gas fireplace glass cleaner may be necessary. Contact your dealer.
Metallic noise	Noise is caused by metal expanding and contracting as it heats up and cools down, similar to the sound produced by a furnace or heating duct. This noise does not affect the operation or longevity of the fireplace.
Is it normal to see the pilot flame burn continually?	In an intermittent pilot ignition system (IPI), the pilot flame should turn off when appliance is turned off. Some optional control systems available with IPI models may allow pilot flame to remain lit.
Power Outages (battery backup)	This appliance can be operated on battery power in the event of a power outage. To access the battery pack, the decorative barrier front, mesh and glass assembly must be removed. Refer to Section 3 for more details.
Wall above appliance feels hot to the touch.	No action necessary. This appliance ships with a non-combustible material attached. Specifications of the attached non-combustible material are listed in the Installer's Manual for this appliance.

**Contact your dealer** for additional information regarding operation and troubleshooting. Visit [www.majesticproducts.com](http://www.majesticproducts.com) to locate a dealer.

## B. Frequently Asked Questions - IntelliFire Touch Controls (IFT-RC400)

Symptom	Possible Cause	Corrective Action
The appliance does not respond to commands from the remote control display does not light up when screen is touched.	Batteries are depleted.	Verify batteries are new.
	Batteries are incorrectly oriented.	Verify batteries are installed in correct orientation as shown on batteries receptacle.
The display on remote lights up when screen is touched but it does not respond to commands.	Touchscreen has lost calibration.	Touchscreen needs to be re-calibrated. Call dealer to have screen re-calibrated.
	Child Lock is ON.	Check child lock icon located at the top of the remote display. If ON, it will show as a 'locked' symbol. To unlock, remove battery compartment door, locate child lock switch and move to 'unlock' position. Verify child lock icon on screen is now displayed in 'unlock' position.
The remote displays the following message on-screen: No dealer info available	Dealer information not programmed into remote.	Remote will still provide all available functions, and appliance is fully available for use. Call dealer to have them program.
The remote displays the following message on-screen: Call "Dealer Name & Number" to schedule maintenance.	300 hours of use. Appliance is still fully functional.	The appliance has been burning for 300 hours and is due for a regular maintenance. Call dealer to have them perform maintenance.
The room temperature displayed on the remote is either slow or quick to respond while operating in thermostat mode.	Remote is placed at a very short distance or too far away from the appliance.	Try to keep the remote close to the appliance but not directly in front of it. The remote acts as the thermostat.
	Remote is placed in the path of an air draft or vent.	Move the remote away from the direct path of air flow. The remote acts as the thermostat.
	Flame Modulation	The control system is designed to automatically adjust the flame intensity based on the difference between the desired room temperature, and actual temperature. In thermostat mode, the hearth appliance will start in HI flame, but as the actual temperature approaches the desired set temperature on the remote, the flame intensity will automatically decrease. Automatic flame modulation will result in more control of the temperature, and will cause the appliance to cycle OFF/ON less.
The appliance turns OFF the flame after extended periods of operation	9 hour safety shutdown timer	This is normal behavior. The appliance has a safety timer that will automatically turn OFF the flame after nine hours of uninterrupted operation.
The remote displays the following message on-screen: Fan will turn on within 3 minutes	Functioning as intended.	The appliance has a three minute delay timer before the fan is turned ON. This allows the air surrounding the appliance to be heated before being pushed into the room.
The remote displays the following message on-screen: "Replace remote batteries."	Low batteries in remote.	Install new batteries in the remote.
The remote is displaying an incorrect brand.	Remote was programmed incorrectly.	Call dealer to have them program the remote with correct branding. Remote is still fully functional and the appliance is unaffected.
After turning flame ON using remote, the flame does not turn ON immediately and instead a two minute timer is displayed.	Power vent is installed on the appliance.	This is expected behavior and the two minute timer is called a pre-purge timer. The flame will turn ON at the expiration of the timer.
The remote displays the following message on-screen: "Remote Control Communication Error."	No power to appliance.	Verify home circuit breaker is on and master reset is on (if equipped).
	Power outage.	Install new batteries in battery backup.
The remote displays the following message on -screen: Sorry your appliance did not start. Try again by pressing Flame On.	No power to appliance. No gas to appliance. Accumulation of air in gas line from extended period of appliance inactivity. Gas control system failure.	Verify that appliance has power and gas. Verify that the appliance accepts flame ON commands with an audible beep, and successfully turns flame on within 90 seconds. If this failure persists, contact dealer for service.

## C. Troubleshooting

With proper installation, operation, and maintenance your gas appliance will provide years of trouble-free service. If you do experience a problem, this troubleshooting guide will assist a qualified service technician in the diagnosis of a problem and the corrective action to be taken. This troubleshooting guide can only be used by a qualified service technician. Contact your dealer to arrange a service call by a qualified service technician.

### IntelliFire Touch

#### Error Codes:

ECM LED Error Codes	Description
3 Red: 1 Green	IFT-RC400 error message: 'Appliance Safely Disabled', pilot sparks for 90 sec, no flame rectification.
2 Red: 1 Green	IFT-RC400 display: 'Error Pilot Flame', pilot valve solenoid not detected.
2 Red: 2 Green	Sparkling feedback signal error, spark coil failure.
5 Red: 1 Green	IFT-RC400 display: 'Error Power Vent' (if installed).

See Troubleshooting matrix for more detail on Lock-out Error Codes, Possible Causes and Corrective Actions.

#### Troubleshooting:

Symptom	Possible Cause	Corrective Action
Pilot won't light, module clicks but no spark 90 sec, 3 Red/1 Green Lock out.	Incorrect wiring.	Verify 'S' (White) sense wire and 'I' (orange) ignitor wire are connected to correct terminals on IFT-ECM.
	Loose connections or electrical shorts in wiring.	Verify no loose connections or electrical shorts in wiring from module to pilot assembly. Verify wire insulation is not damaged. Verify wires are not grounding out to chassis, pilot burner, or any other metal object. Replace any damaged wires.
	Ignitor gap is too large.	Verify spark gap is approximately 0.095" (2.41 mm) to 0.135" (3.43 mm).
Pilot won't light, there is no noise or spark.	No AC power, AC/DC adaptor faulty, backup batteries (if being used) depleted, IFT-ECM slider switch in OFF position.	Verify IFT-ECM slider switch is in ON or REM position. Verify AC power available to junction box. Verify AC/DC adaptor is plugged into junction box and ECM. Verify AC/DC adaptor output voltage is between 5.7-6.3 Vdc. If battery pack is used, check battery pack voltage is >4.2 V (if not, replace batteries).
	Shorted or loose connection in system wiring or wiring harness.	Verify system wiring configuration. Remove and reinstall wiring harness that plugs into module. Check continuity of wires in valve wiring harness. Replace any damaged components.
	Poor or no system ground.	Verify black ground wire in valve harness is connected to metal chassis of fireplace.
Pilot won't light, there is no noise or spark, 2 Red/1 Green Lockout.	Pilot solenoid not detected.	Check if valve harness orange wire is connected to pilot solenoid valve. Check pilot solenoid resistance, nominal is 40 ohms. If open or shorted, replace valve. Check valve harness wire continuity, if open replace 6-pin harness.
Pilot won't light, there is no noise or spark, 2 Red/2 Green Lockout.	Spark coil failure.	Replace ECM.



## IntelliFire Touch - (continued)

Symptom	Possible Cause	Corrective Action
Pilot sparks but does not light, after 90 sec, 3 Red/1 Green Lockout	No gas supply.	Verify incoming gas line ball valve is 'Open'. Verify inlet pressure is within requirement for gas type used. Contact gas supplier.
	ECM has poor ground.	Verify wiring, check valve harness black wire is securely grounded to metal chassis.
	Gas valve defective.	Check pilot valve solenoid kick and hold voltages during ignition cycle. Kick V should be >1 V, hold V minimum 0.26 V. If voltages are OK, replace gas valve.
Pilot lights but main burner does not light. Pilot continues to spark for 90 sec then goes into 3 Red/1 Green Lockout.	No flame detected. Flame rectification issue.	Check if white sense lead is securely connected to 'S' terminal of IFT-ECM. Check resistance of sense lead between sense rod tip and connector to IFT-ECM, should be less than 1 ohm - if not, replace pilot assembly. Check system ground, ensure black valve harness wire is securely attached to metal chassis. Check wiring for damage. With system OFF, check resistance between tip of sense rod and pilot hood, should be resistance (>1 M-ohm).
	No flame detected or sense rod contamination.	With glass assembly installed, verify pilot flame is engulfing flame sense rod on pilot assembly. Verify inlet gas pressure is correct for gas type. Polish flame sense rod with fine steel wool to remove any contaminants that may have accumulated.
Pilot lights and rectifies, but main burner does not light.	Main valve solenoid.	Check if green wire in valve harness is connected to green main valve solenoid. Check main valve solenoid resistance, nominal is 60 ohms. If open or shorted, replace valve. Verify valve inlet pressure is correct for gas type.
Pilot and main do not light, ECM goes into 5 Red/1 Green Lockout.	Power Vent (PV) Failure.	Power Vent blower defective - check wiring to IFT-ACM, check if blower is working. Check if PV pressure switch is connected to brown and black wire in 6-pin valve wire harness. Check if pressure switch is closed (shorted) when PV blower is running. Refer to PV troubleshooting instructions.
Appliance lights and runs for a few minutes then shuts down and/or appliance cycle ON and OFF with less than 90 sec of ON time.	Shorted or loose connection in flame detection circuit.	Check if white sense lead is securely connected to 'S' terminal of IFT-ECM. Check resistance of sense lead between sense rod tip and connector to IFT-ECM, should be less than 1 ohm - if not, replace pilot assembly. Check system ground, ensure black valve harness wire is securely attached to metal chassis. Check wiring for damage. With system OFF, check resistance between tip of sense rod and pilot hood, should be resistance (>1 M-ohm).
	Poor flame rectification or contaminated sense rod.	With glass assembly installed, verify pilot flame is engulfing flame sense rod on pilot assembly. Verify inlet gas pressure is correct for gas type. Polish flame sense rod with fine steel wool to remove any contaminants that may have accumulated. Verify no soot deposits are in sense rod to pilot hood gap.
	Logs are set up wrong.	Remove and re-install logs per the log placement instructions.
	Damaged pilot assembly.	Verify the pilot assembly ceramic insulator around the flame sensing rod is not cracked, damaged or loose. Check resistance between tip of sense rod and IFT-ECM connector, should be less than 1 ohm. Replace pilot assembly if damage is detected.

# 6 Reference Materials

---

## A. Accessories

Install approved accessories per instructions included with accessories. Contact your dealer for a list of approved accessories.

***WARNING! Risk of Fire and Electric Shock! Use ONLY Hearth & Home Technologies-approved optional accessories with this appliance. Using non-listed accessories could result in a safety hazard and will void the warranty.***

## Remote Controls, Wall Controls and Wall

### Switches

After a qualified service technician has installed the remote control, wall control or wall switch, follow the instructions supplied with the control installed to operate your fireplace:

For safety:

- Install a switch lock or a wall/remote control with child protection lockout feature.
- Keep remote controls out of reach of children.

Contact your dealer if you have questions.

## Heat Management Systems

The optional heat management systems compatible with this product are discussed in Section 3.I.

After a qualified service technician has installed the heat management system, follow the instruction supplied with the kit for operation. Contact your dealer if you have questions.

## Fire Art

Fire art accessories may be installed by a qualified service technician following the instructions included with the accessory.

Optional accessories include driftwood logs and multiple media options. Contact your dealer for details.

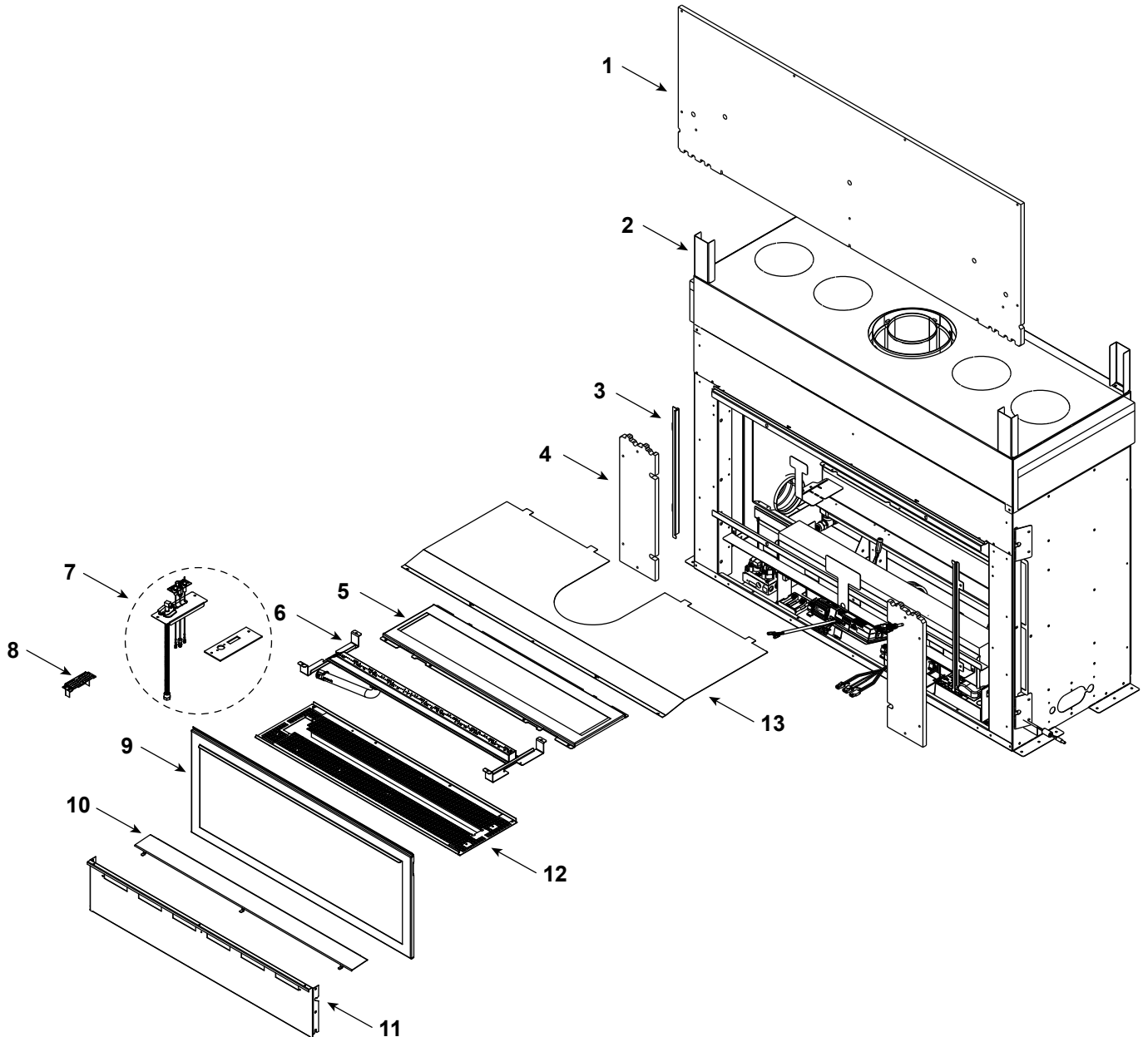


## B. Service Parts

# ECHEL36IN-C

Echelon 36" Gas Fireplace - DV

Beginning Manufacturing Date: Aug 2019  
Ending Manufacturing Date: Active



Part number list on following page.



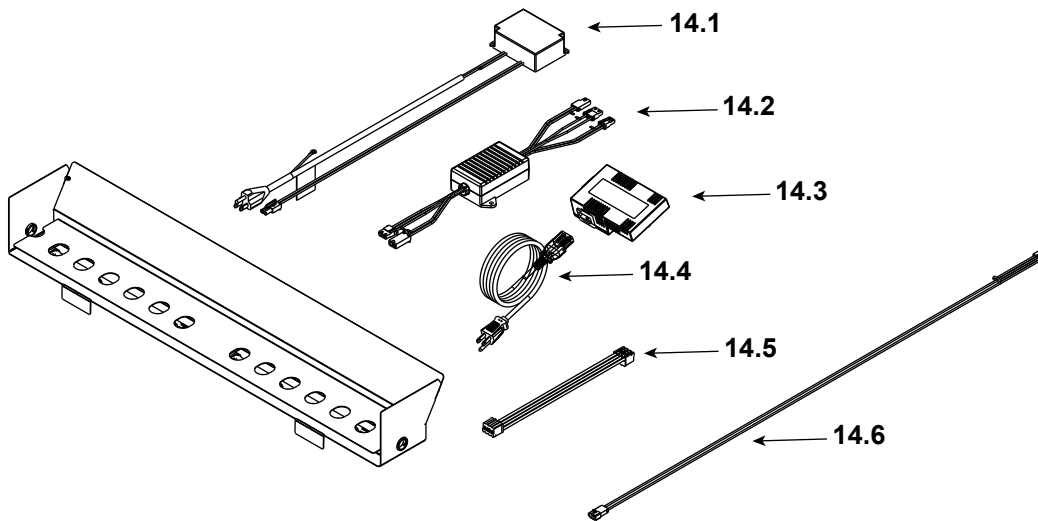
IMPORTANT: THIS IS DATED INFORMATION. Parts must be ordered from a dealer or distributor. **Hearth and Home Technologies does not sell directly to consumers.** Provide model number and serial number when requesting service parts from your dealer or distributor.



Stocked at Depot

ITEM	DESCRIPTION	COMMENTS	PART NUMBER	
1	Non-combustible Board, Top		SRV2312-460	
2	Standoff, Top	Qty 4 req	2602-283	
3	Side Trim	Qty 2 req	2300-281	
4	Non-combustible Board, Side Pkg of 2		2300-461	
5	Bottom Glass		2312-018	
6	Burner		2406-007	Y
7	Pilot Assembly		See Following Page	
8	Shield, Pilot		2406-196	
9	Glass Assembly		GLA-36-MAJ	
10	Shield, Bottom Glass		2312-179	
11	Panel, Bottom		2312-147	
12	Rock Tray		2406-151	
13	Heat Shield		2600-150	

**#14 LED Light Assembly**

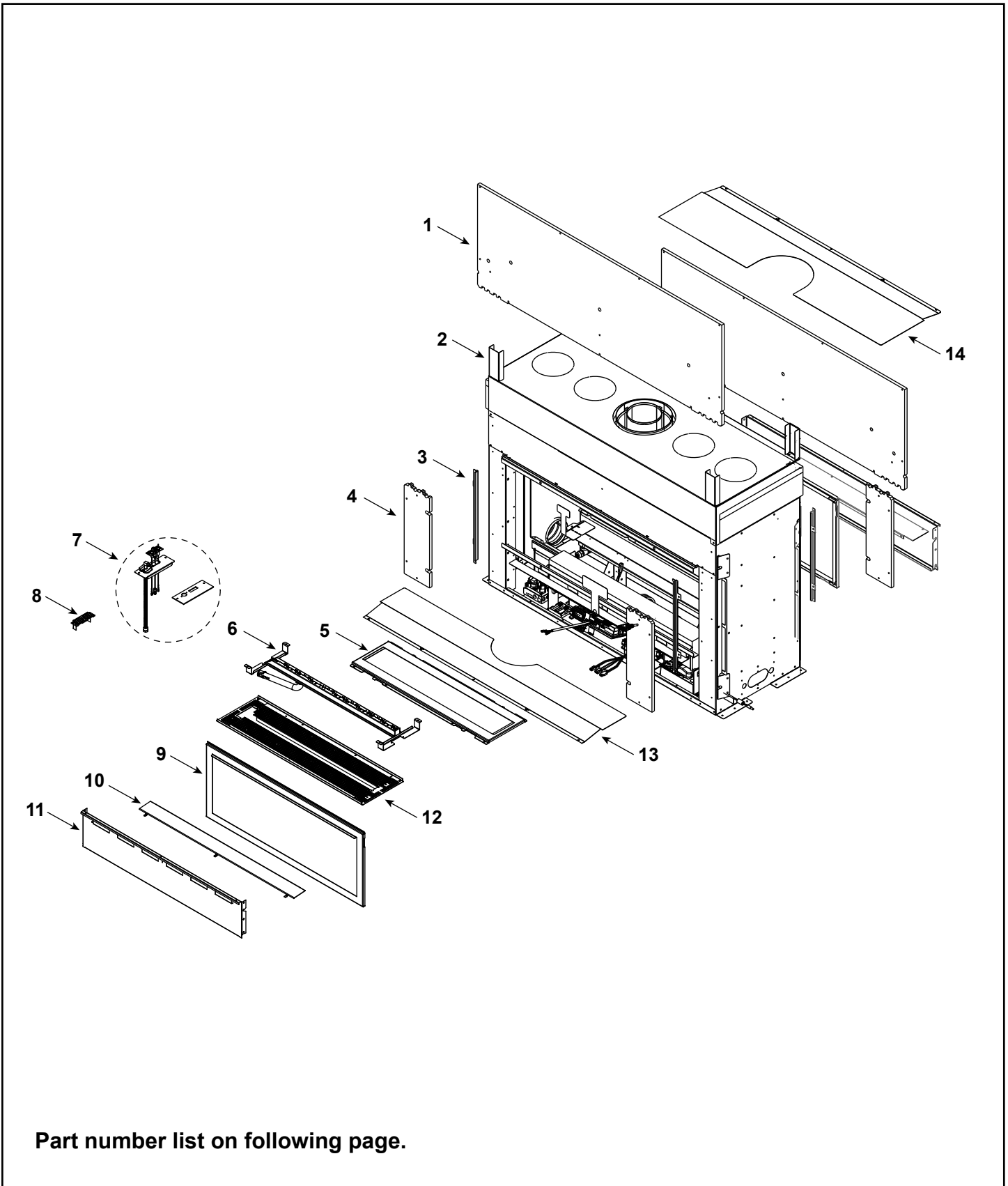


14	LED Light Assembly		ALK-36-C	
14.1	Power Supply, LED 40W		2326-113	Y
14.2	LED Dimmer		2326-112	Y
14.3	Module, B Type AC		SRV2326-150	Y
14.4	Cable, B Type AC Module		SRV2326-152	Y
14.5	LED Lightbar Connection		2300-753	Y
14.6	Cable, Linear LED		2300-754	Y

Additional service part numbers on following page.



Echelon 36" See Through Gas Fireplace - DV



Part number list on following page.



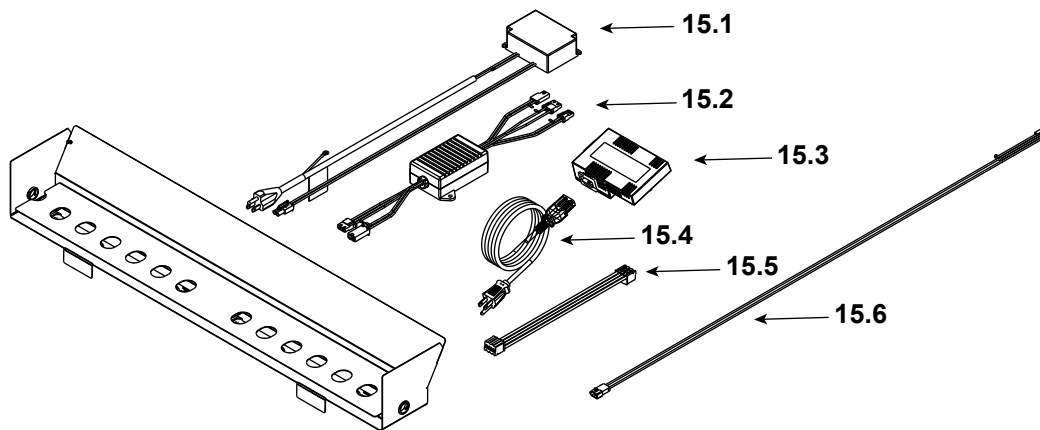
IMPORTANT: THIS IS DATED INFORMATION. Parts must be ordered from a dealer or distributor. **Hearth and Home Technologies does not sell directly to consumers.** Provide model number and serial number when requesting service parts from your dealer or distributor.



**Stocked at Depot**

ITEM	DESCRIPTION	COMMENTS	PART NUMBER	
1	Non-combustible Board, Top	Qty 2 req	SRV2312-460	
2	Standoff, Top	Qty 4 req	2602-283	
3	Side Trim	Qty 4 req	2300-281	
4	Non-combustible Board, Side Pkg of 2	Qty 2 req	2300-461	
5	Bottom Glass		2312-018	
6	Burner		2406-007	Y
7	Pilot Assembly		<b>See Following Page</b>	
8	Shield, Pilot		2406-196	
9	Glass Assembly	Qty 2 req	GLA-36-MAJ	
10	Shield, Bottom Glass w/vent		2312-179	
	Shield, Bottom Glass		2313-179	
11	Panel, Bottom w/vent		2312-147	
	Panel, Bottom		2313-147	
12	Rock Tray		2407-059	
13	Heat Shield, Front		2601-150	
14	Heat Shield, Rear		2601-151	

**#15 LED Light Assembly**



15	LED Light Assembly		ALK-36-C	
15.1	Power Supply, LED 40W		2326-113	Y
15.2	LED Dimmer		2326-112	Y
15.3	Module, B Type AC		SRV2326-150	Y
15.4	Cable, B Type AC Module		SRV2326-152	Y
15.5	LED Lightbar Connection		2300-753	Y
15.6	Cable, Linear LED		2300-754	Y

Additional service part numbers on following page.

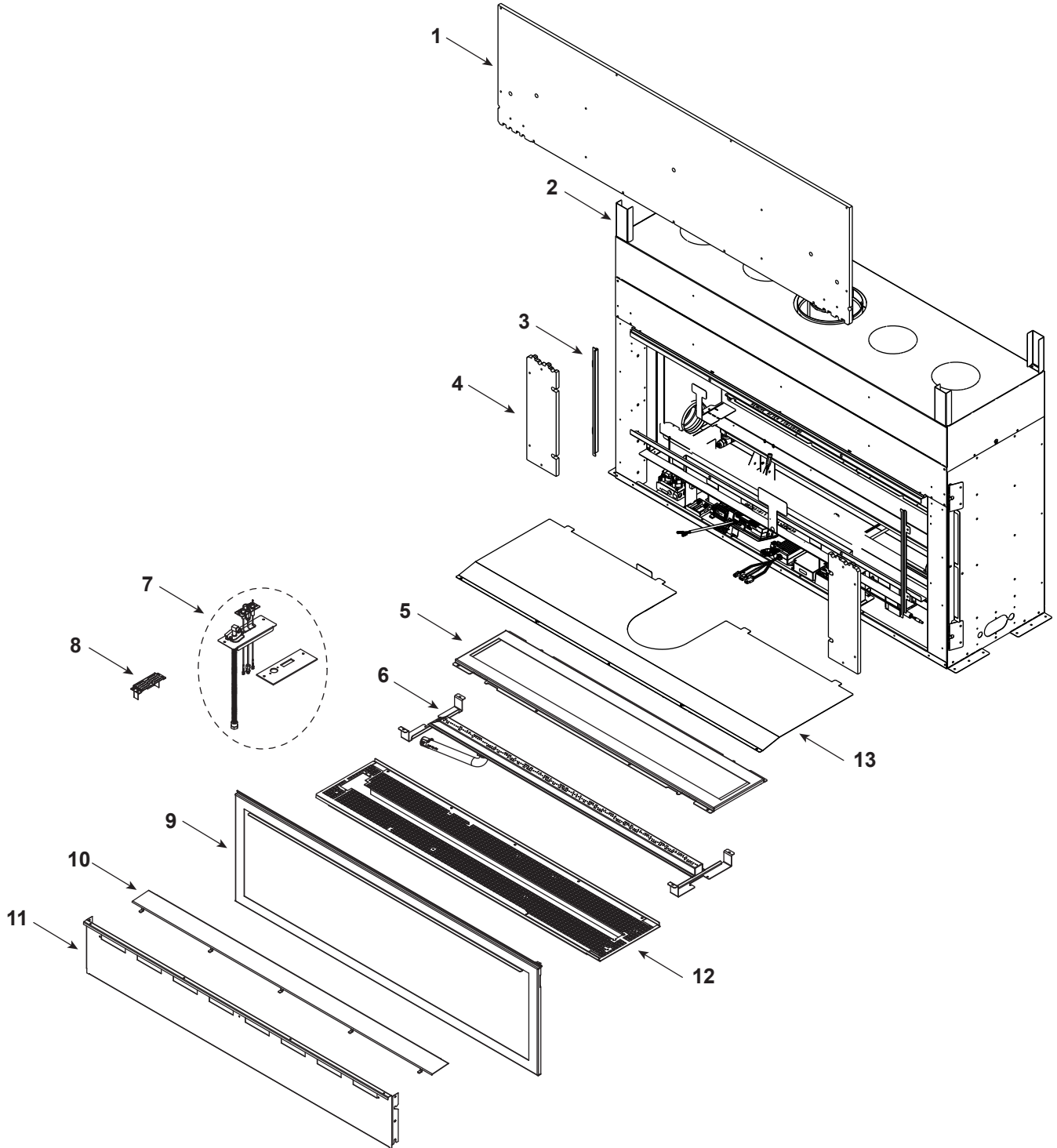


## Service Parts

# ECHEL48IN-C

Echelon 48" Gas Fireplace - DV

Beginning Manufacturing Date: Aug 2019  
Ending Manufacturing Date: Active



Part number list on following page.



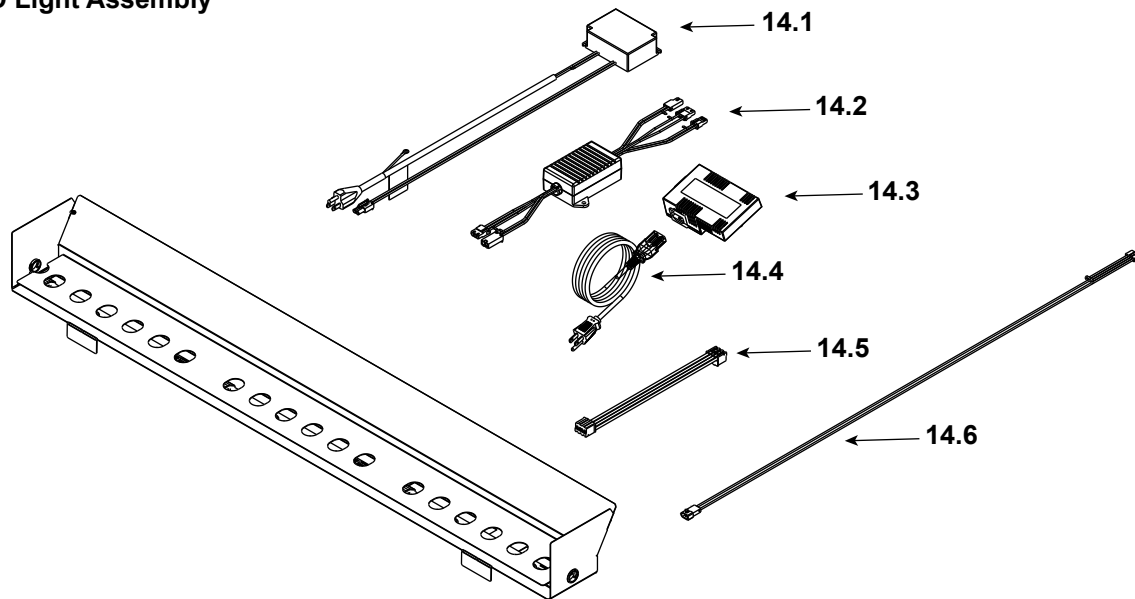
IMPORTANT: THIS IS DATED INFORMATION. Parts must be ordered from a dealer or distributor. **Hearth and Home Technologies does not sell directly to consumers.** Provide model number and serial number when requesting service parts from your dealer or distributor.



**Stocked at Depot**

ITEM	DESCRIPTION	COMMENTS	PART NUMBER	
1	Non-combustible Board, Top		SRV2300-460	
2	Standoff, Top	Qty 4 req	2602-283	
3	Side Trim	Qty 2 req	2300-281	
4	Non-combustible Board, Side Pkg of 2		2300-461	
5	Bottom Glass		2300-018	
6	Burner		2408-007	Y
7	Pilot Assembly		<b>See Following Page</b>	
8	Shield, Pilot		2406-196	
9	Glass Assembly		GLA-48-MAJ	
10	Shield, Bottom Glass		2300-179	
11	Panel, Bottom		2300-147	
12	Rock Tray		2408-151	
13	Heat Shield		2602-150	

**#14 LED Light Assembly**



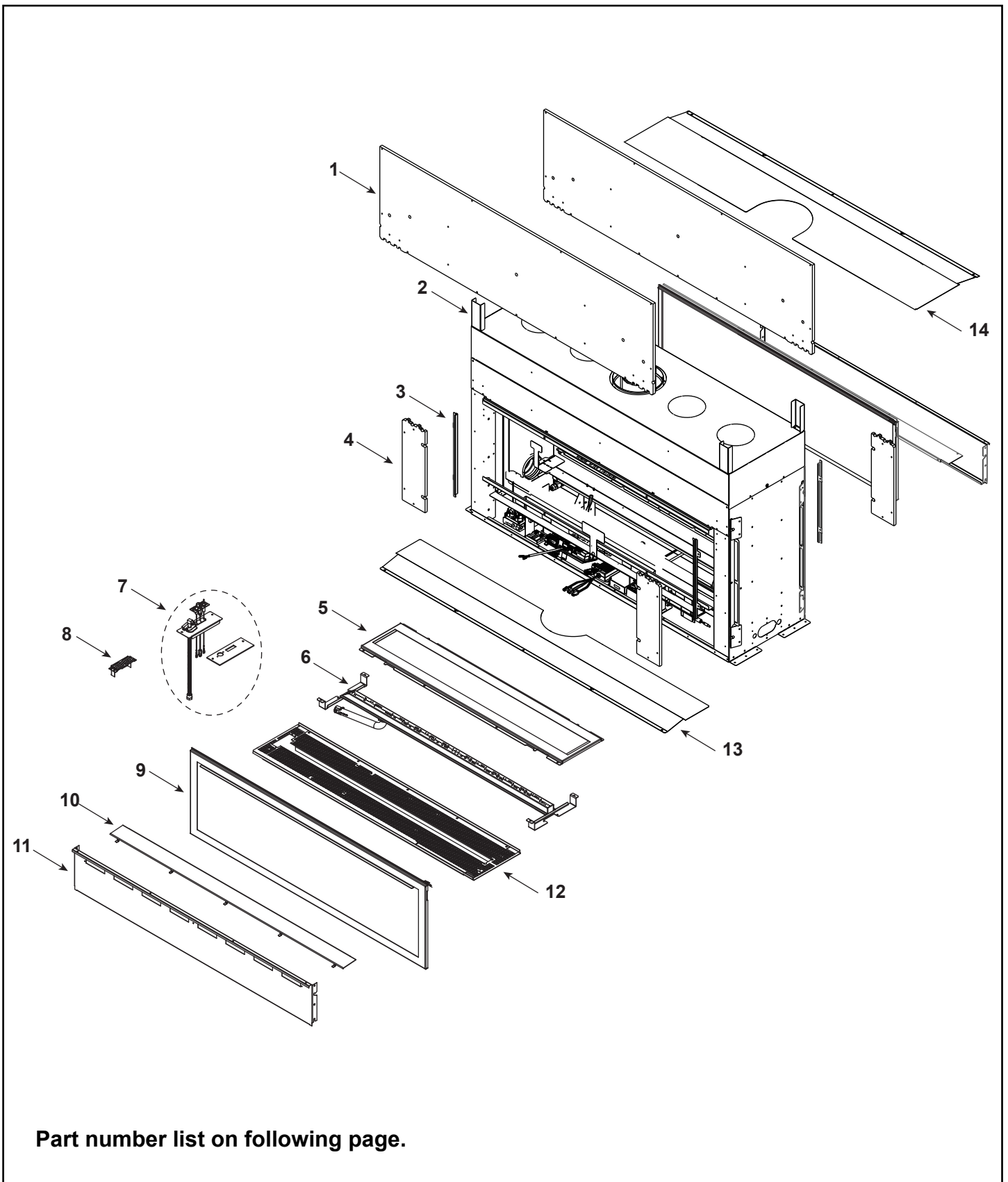
14	LED Light Assembly		ALK-48-C	
14.1	Power Supply, LED 40W		2326-113	Y
14.2	LED Dimmer		2326-112	Y
14.3	Module, B Type AC		SRV2326-150	Y
14.4	Cable, B Type AC Module		SRV2326-152	Y
14.5	LED Lightbar Connection		2300-753	Y
14.6	Cable, Linear LED		2300-754	Y

Additional service part numbers on following page.





Echelon 48" See Through Gas Fireplace - DV



Part number list on following page.



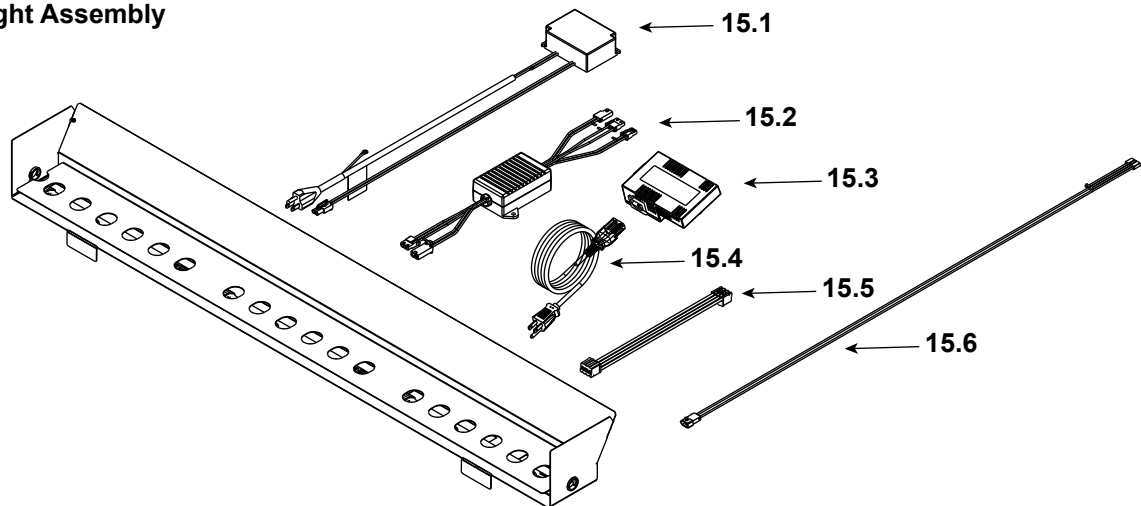
IMPORTANT: THIS IS DATED INFORMATION. Parts must be ordered from a dealer or distributor. **Hearth and Home Technologies does not sell directly to consumers.** Provide model number and serial number when requesting service parts from your dealer or distributor.



Stocked at Depot

ITEM	DESCRIPTION	COMMENTS	PART NUMBER	
1	Non-combustible Board, Top	Qty 2 req	SRV2300-460	
2	Standoff, Top	Qty 4 req	2602-283	
3	Side Trim	Qty 4 req	2300-281	
4	Non-combustible Board, Side Pkg of 2	Qty 2 req	2300-461	
5	Bottom Glass		2300-018	
6	Burner		2408-007	Y
7	Pilot Assembly		See Following Page	
8	Shield, Pilot		2406-196	
9	Glass Assembly	Qty 2 req	GLA-48-MAJ	
10	Shield, Bottom Glass w/vent		2300-179	
	Shield, Bottom Glass		2301-179	
11	Panel, Bottom w/vent		2300-147	
	Panel, Bottom		2301-147	
12	Rock Tray		2409-059	
13	Heat Shield, Front		2603-150	
14	Heat Shield, Rear		2603-151	

**#15 LED Light Assembly**



15	LED Light Assembly		ALK-48-C	
15.1	Power Supply, LED 40W		2326-113	Y
15.2	LED Dimmer		2326-112	Y
15.3	Module, B Type AC		SRV2326-150	Y
15.4	Cable, B Type AC Module		SRV2326-152	Y
15.5	LED Lightbar Connection		2300-753	Y
15.6	Cable, Linear LED		2300-754	Y

Additional service part numbers on following page.



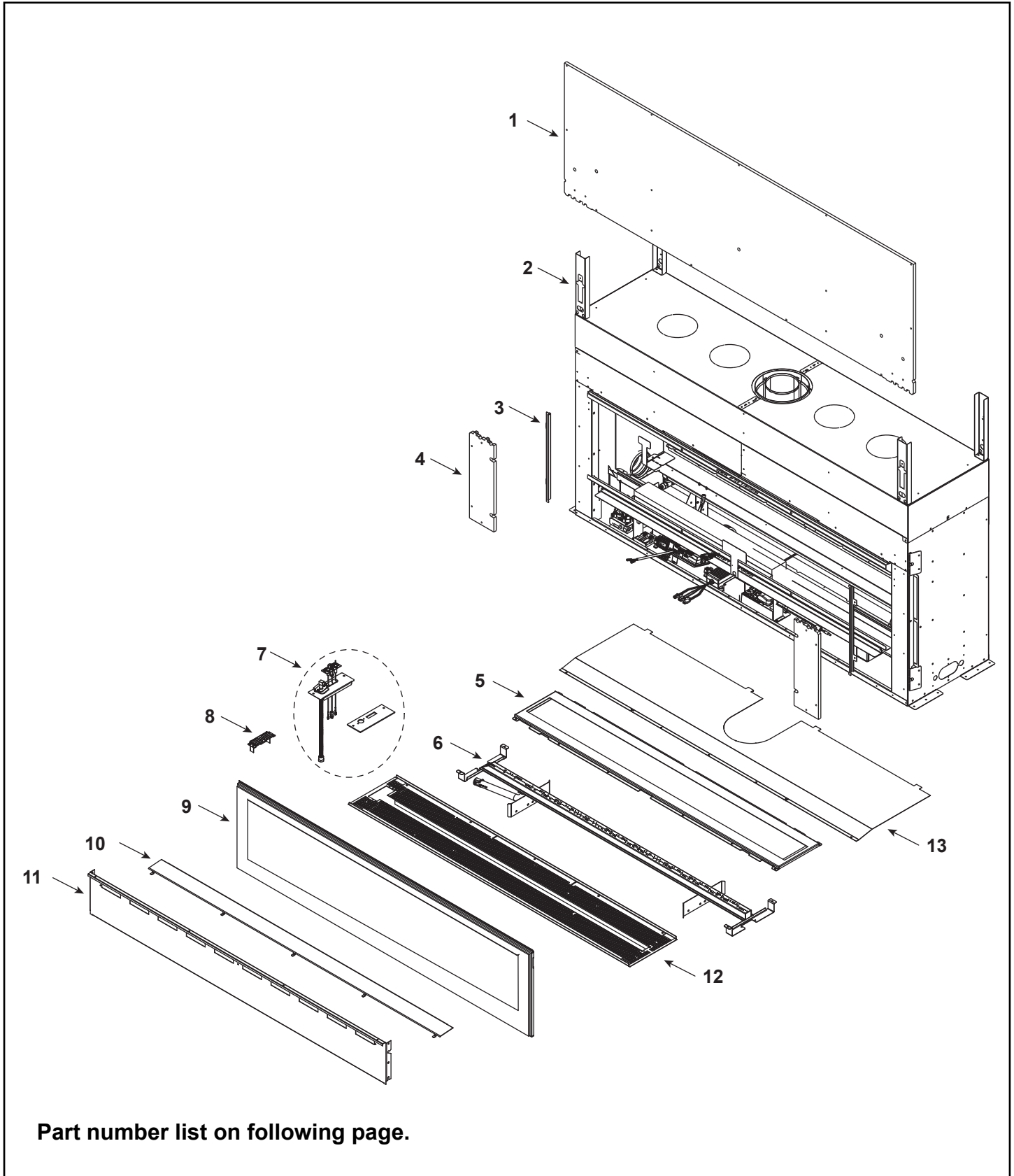
## Service Parts

Echelon 60" Gas Fireplace - DV

# ECHEL60IN-C

Beginning Manufacturing Date: Aug 2019

Ending Manufacturing Date: Active



Part number list on following page.



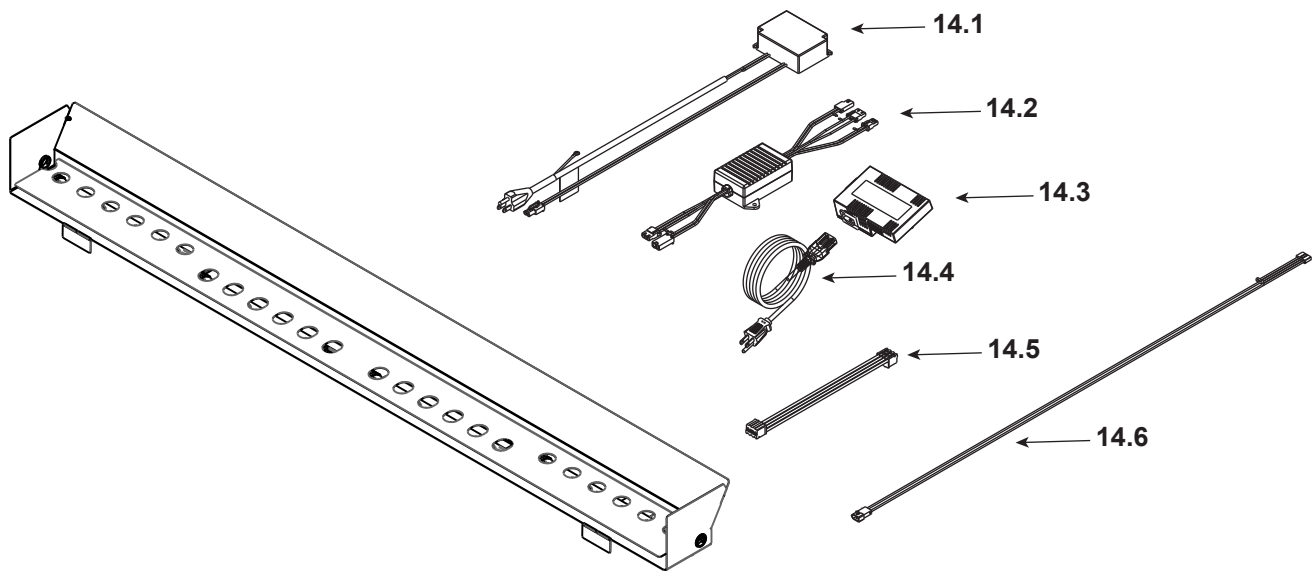
IMPORTANT: THIS IS DATED INFORMATION. Parts must be ordered from a dealer or distributor. **Hearth and Home Technologies does not sell directly to consumers.** Provide model number and serial number when requesting service parts from your dealer or distributor.



**Stocked at Depot**

ITEM	DESCRIPTION	COMMENTS	PART NUMBER
1	Non-combustible Board, Top		SRV2321-460
2	Standoff, Top	Qty 4 req	2604-283
3	Side Trim	Qty 2 req	2300-281
4	Non-combustible Board, Side Pkg of 2		2300-461
5	Bottom Glass		2321-018
6	Burner		2410-007
7	Pilot Assembly		<b>See Following Page</b>
8	Shield, Pilot		2410-196
9	Glass Assembly		GLA-60-MAJ
10	Shield, Bottom Glass		2321-179
11	Panel, Bottom		2321-147
12	Rock Tray		2410-151
13	Heat Shield		2604-150

**#14 LED Light Assembly**



14	LED Light Assembly		ALK-60-C	
14.1	Power Supply, LED 40W		2326-113	Y
14.2	LED Dimmer		2326-112	Y
14.3	Module, B Type AC		SRV2326-150	Y
14.4	Cable, B Type AC Module		SRV2326-152	Y
14.5	LED Lightbar Connection		2300-753	Y
14.6	Cable, Linear LED		2300-754	Y

Additional service part numbers on following page.



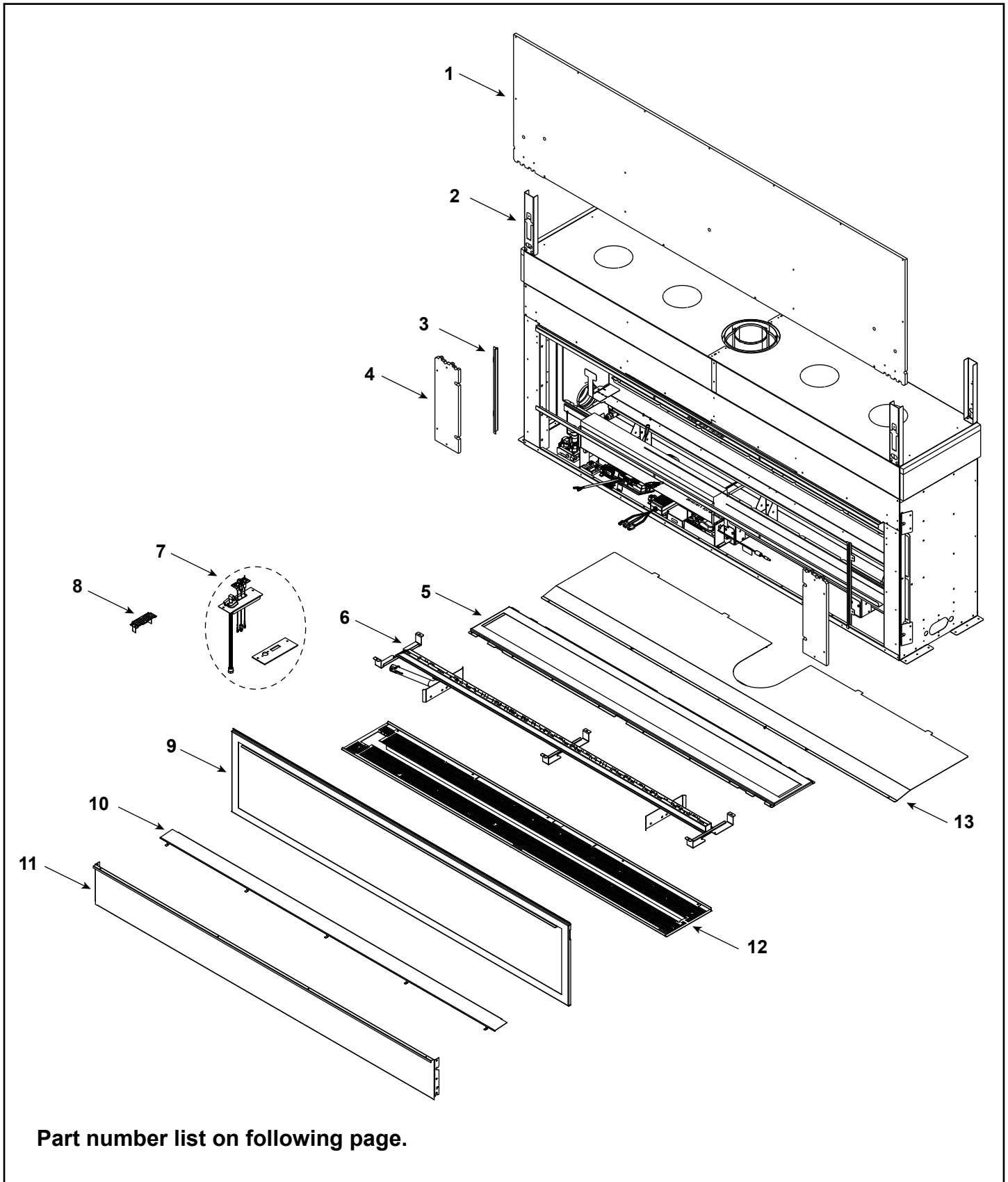
## Service Parts

# ECHEL72IN-C

Echelon 72" Gas Fireplace - DV

Beginning Manufacturing Date: Aug 2019

Ending Manufacturing Date: Active



Part number list on following page.



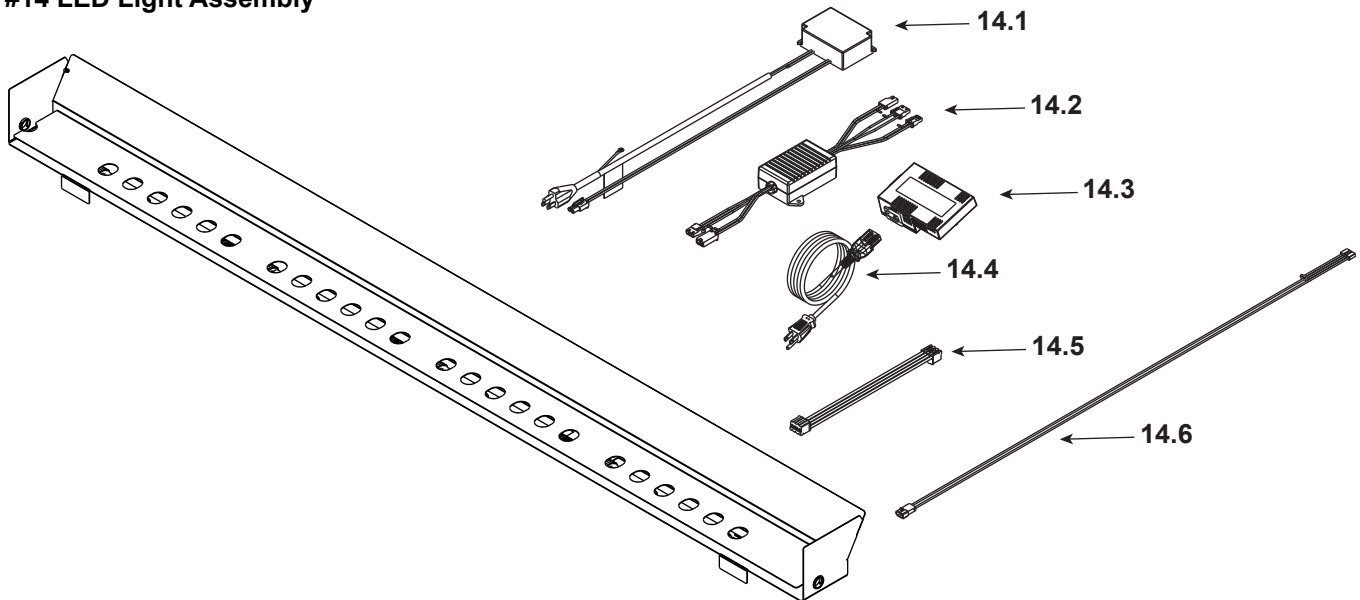
IMPORTANT: THIS IS DATED INFORMATION. Parts must be ordered from a dealer or distributor. **Hearth and Home Technologies does not sell directly to consumers.** Provide model number and serial number when requesting service parts from your dealer or distributor.



Stocked at Depot

ITEM	DESCRIPTION	COMMENTS	PART NUMBER	
1	Non-combustible Board, Top		SRV2331-460	
2	Standoff, Top	Qty 4 req	2604-283	
3	Side Trim	Qty 2 req	2300-281	
4	Non-combustible Board, Side Pkg of 2		2300-461	
5	Bottom Glass		2331-018	
6	Burner		2411-007	
7	Pilot Assembly		<b>See Following Page</b>	
8	Shield, Pilot		2410-196	
9	Glass Assembly		GLA-72-MAJ	
10	Shield, Bottom Glass		2331-179	
11	Panel, Bottom		2331-147	
12	Rock Tray		2411-151	
13	Heat Shield		2606-150	

**#14 LED Light Assembly**



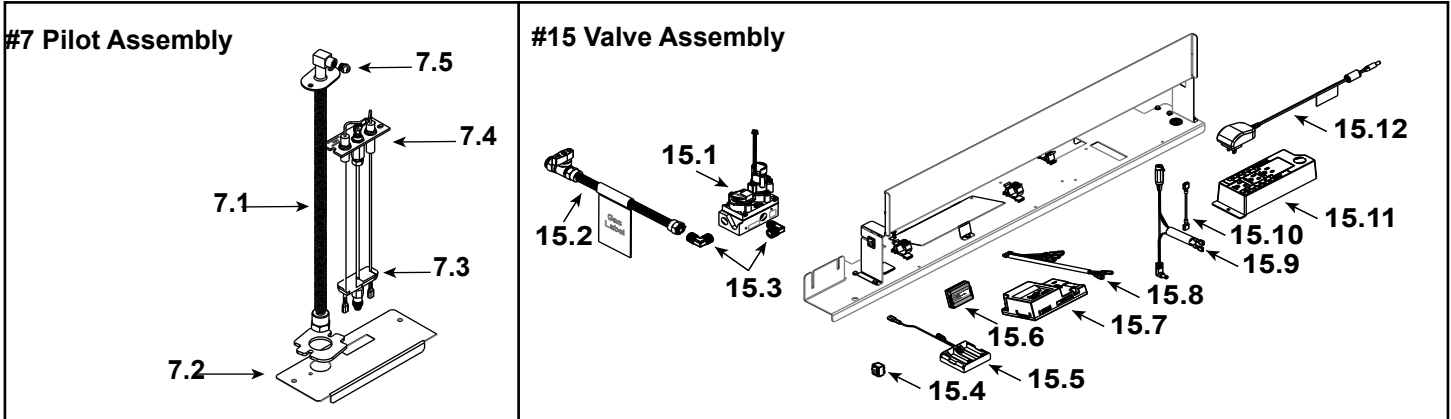
14	LED Light Assembly		ALK-72-C	
14.1	Power Supply, LED 40W		2326-113	Y
14.2	LED Dimmer		2326-112	Y
14.3	Module, B Type AC		SRV2326-150	Y
14.4	Cable, B Type AC Module		SRV2326-152	Y
14.5	LED Lightbar Connection		2300-753	Y
14.6	Cable, Linear LED		2300-754	Y

Additional service part numbers on following page.



# ECHEL36, 36STIN, ECHEL48, 48STIN, ECHEL60, ECHEL72

Beginning Manufacturing Date: Aug 2019  
Ending Manufacturing Date: Active



IMPORTANT: THIS IS DATED INFORMATION. Parts must be ordered from a dealer or distributor. **Hearth and Home Technologies does not sell directly to consumers.** Provide model number and serial number when requesting service parts from your dealer or distributor.



**Stocked at Depot**

ITEM	DESCRIPTION	COMMENTS	PART NUMBER	Stocked at Depot
7.1	Bulkhead w/Flex tube		SRV2166-119	Y
7.2	Plate, Flex and Pilot		2300-163	
7.3	3-Hole Grommet		SRV2118-420	
7.4	Pilot Assembly, NG		2406-012	Y
	Pilot Assembly, Propane	Convert 2406-012 with SRV593-527		Y
7.5	Orifice, NG #36C	ECHEL36IN-C/36STIN-C	582-836	Y
	Orifice, Propane #52C		SRV582-852	Y
	Orifice, NG #.124	ECHEL48IN-C/48STIN-C	582-8124	Y
	Orifice, Propane #50C		582-850	Y
	Orifice, NG #28C	ECHEL60IN-C	582-828	Y
	Orifice, Propane #49C		SRV582-849	Y
	Orifice, NG #23C	ECHEL72IN-C	582-823	Y
Orifice, Propane #46C	582-846		Y	
15.1	Valve, NG		SRV2166-302	Y
	Valve, Propane		2166-303	Y
15.2	Flex Ball Valve Assembly		SRV2078-022	Y
15.3	Elbow	Qty 2 req	SRV4021-045	
15.4	Reset Switch	Propane Only	SRV2206-298	Y
15.5	Battery Pack**		SRV2326-134	Y
15.6	Module, RF		SRV2326-120	Y
15.7	Module, IFT Control		SRV2326-130	Y
15.8	Wire Harness		SRV2326-132	Y
15.9	Reset Switch Wire	Propane Only	SRV2326-135	Y
15.10	Jumper Wire, 2.5 inch		SRV2155-033	Y
15.11	Junction Box		SRV4021-013	Y
15.12	Transformer, 6 Volt Wall		SRV2326-131	Y
	Component Insulation		2604-102	Y

\*\*Fuse for battery pack can be sourced locally, not a warranty item. Specs are 250v, 3A fuse, 3/4" long



# ECHEL36, 36STIN, ECHEL48, 48STIN, ECHEL60, ECHEL72

Beginning Manufacturing Date: Aug 2019  
Ending Manufacturing Date: Active

IMPORTANT: THIS IS DATED INFORMATION. Parts must be ordered from a dealer or distributor. **Hearth and Home Technologies does not sell directly to consumers.** Provide model number and serial number when requesting service parts from your dealer or distributor.



**Stocked  
at Depot**

ITEM	DESCRIPTION	COMMENTS	PART NUMBER	Stocked at Depot
	Flue Restrictor		385-128	
	Fiber Glass Rope		060-455	
	Gasket Assembly Contains:Vent, Burner Neck, Seal Cap, Air Passage, Drawn Air Passage, and Flex and Pilot		2300-080	
	Glass Latch Assembly	Qty 2 req ECHEL36IN-C	2146-413	Y
		Qty 4 req ECHEL36STIN-C ECHEL48IN-C ECHEL60IN-C ECHEL72IN-C		
		Qty 8 req ECHEL48STIN-C		
	Heat Zone Collar Cover Plate		2310-107	
	Insulation Donut, Plug		2065-121	
	Log Assembly (Optional)	ECHEL36IN-C/36STIN-C	LOGS-DRTWOOD-36	
		ECHEL48IN-C/48STIN-C	LOGS-DRTWOOD-48	
		ECHEL60IN-C	LOGS-DRTWOOD-60	
		ECHEL72IN-C	LOGS-DRTWOOD-72	
	Light Kit, Ambient	ECHEL36IN-C/36STIN-C	ALK-36-C	
		ECHEL48IN-C/48STIN-C	ALK-48-C	
		ECHEL60IN-C	ALK-60-C	
		ECHEL72IN-C	ALK-72-C	
	Black Glass Kit (Includes Manual Bag Assembly for kit and Refractory Assembly)	ECHEL36IN-C	BGK-36	
		ECHEL48IN-C	BGK-48	
		ECHEL60IN-C	BGK-60	
		ECHEL72IN-C	BGK-72	
		See Throughs	BGK-LINEARST	
	Back Retaining Clips	Pkg of 25	060-235-25	
	Side Retaining Clip	1 Per Side	2406-104	
	RC 400 Remote		SRV2326-110	Y
	Touch Up Paint		TUP-GBK-12	
	Vinyl Siding Shield		TRAP-VSS	

Additional service part numbers on following page.





# ECHEL36, 36STIN, ECHEL48, 48STIN, ECHEL60, ECHEL72

Beginning Manufacturing Date: Aug 2019

Ending Manufacturing Date: Active

IMPORTANT: THIS IS DATED INFORMATION. Parts must be ordered from a dealer or distributor. **Hearth and Home Technologies does not sell directly to consumers.** Provide model number and serial number when requesting service parts from your dealer or distributor.



**Stocked at Depot**

ITEM	DESCRIPTION	COMMENTS	PART NUMBER	
<b>Media Options - ECHEL36IN / ECHEL36STIN</b>				
	Media Kit, Bronze	3 Bags Max	GLASS-BZ	
	Media Kit, Onyx	3 Bags Max	GLASS-OY	
	Media Kit, Sapphire	3 Bags Max	GLASS-SP	
	Media Kit, Diamond	3 Bags Max	GLASS-DM	
	Stones	2 Bags Max	STONES-NATURAL	
<b>Media Options - ECHEL48IN / ECHEL48STIN</b>				
	Media Kit, Bronze	4 Bags Max	GLASS-BZ	
	Media Kit, Onyx	4 Bags Max	GLASS-OY	
	Media Kit, Sapphire	4 Bags Max	GLASS-SP	
	Media Kit, Diamond	4 Bags Max	GLASS-DM	
	Stones	3 Bags Max	STONES-NATURAL	
<b>Media Options - ECHEL60IN</b>				
	Media Kit, Bronze	6 Bags Max	GLASS-BZ	
	Media Kit, Onyx	6 Bags Max	GLASS-OY	
	Media Kit, Sapphire	6 Bags Max	GLASS-SP	
	Media Kit, Diamond	6 Bags Max	GLASS-DM	
	Stones	3 Bags Max	STONES-NATURAL	
<b>Media Options - ECHEL72IN</b>				
	Media Kit, Bronze	7 Bags Max	GLASS-BZ	
	Media Kit, Onyx	7 Bags Max	GLASS-OY	
	Media Kit, Sapphire	7 Bags Max	GLASS-SP	
	Media Kit, Diamond	7 Bags Max	GLASS-DM	
	Stones	4 Bags Max	STONES-NATURAL	
<b>Conversion Kits</b>				
	Conversion Kit NG		N/A	
	Conversion Kit Propane	ECHEL36IN-C/36STIN-C	LPK-ECHEL36	Y
		ECHEL48IN-C/48STIN-C	LPK-ECHEL48	Y
		ECHEL60IN-C	LPK-ECHEL60	Y
		ECHEL72IN-C	LPK-ECHEL72	Y
	Pilot Orifice, NG		SRV593-528	Y
	Pilot Orifice, Propane		SRV593-527	Y
	Regulator, NG		NGK-DXV-50	Y
	Regulator, Propane		SRVLPK-DXV-50	Y

