

DRT63ST

 SIGNATURE SERIES DIRECT VENT FIREPLACES



Superior[™]
FIREPLACES
Our name is our promise.



TRADITIONAL

A stunning flush hearth smooth-face design combines with exceptional performance to complement any décor. The expansive ceramic glass viewing area with dramatic yellow flames make the DRT63ST the perfect fit for your home.



FEATURED DRT63ST shown with Black Reflective Porcelain liners and Aged Oak Log Set

EXCLUSIVE FEATURES

- 🔥 Available in a 40" See Through model
- 🔥 Gas controls are conveniently hidden to the side of the fireplace opening for easy installation and finishing
- 🔥 Electronic ignition with battery backup to provide continued operation in the event of a power outage
- 🔥 Exclusive burner design to generate amazing flame and glowing logs
- 🔥 Six flame settings with up to a 33% turn-down for precise heat control
- 🔥 68% industry leading AFUE
- 🔥 Smooth-face design features ceramic glass for optimum heat transfer
- 🔥 Premium, high definition aged oak ceramic fiber log set with beautiful glowing ceramic ember bed
- 🔥 Heavy duty log grate
- 🔥 Interior liner selections consists of two-piece black reflective porcelain or ceramic fiber
- 🔥 Full function remote control (T'stat, flame, IPI/CPI)
- 🔥 Available in dedicated power-vent models (Natural Gas only)
- 🔥 Outdoor window kit, tested and listed to ASTM commercial window standard for air infiltration, water resistance, structural integrity and thermal resistance (U-Value/CRF)
- 🔥 20 year Limited warranty



FEATURED DRT63ST and its impressively large flame presentation

INTERIOR

(Required)

Choose from Black Reflective Porcelain or different ceramic fiber liners to complement your décor.



Black Reflective Porcelain



Buff Herringbone



Buff Rustic

OUTDOOR KIT OPTIONS

(One required for indoor/outdoor application)



Light Tinted

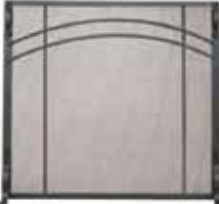


Dark Tinted

EXTERIOR OPTIONS

(Optional)

Choose from three free-standing screen styles to create a decorative barrier.



Dual Arch Screen



Classic Screen



Arch Screen

Total Comfort Control



Proflame II Remote

ANDIRON OPTIONS

(Optional)

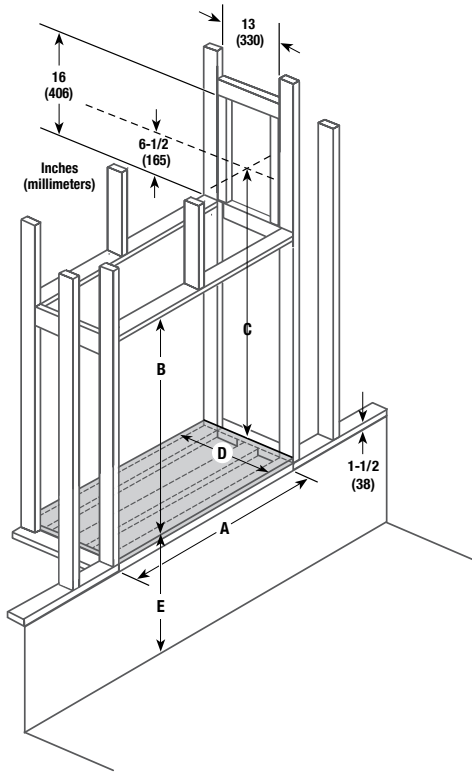


Classic Style



Mission Style

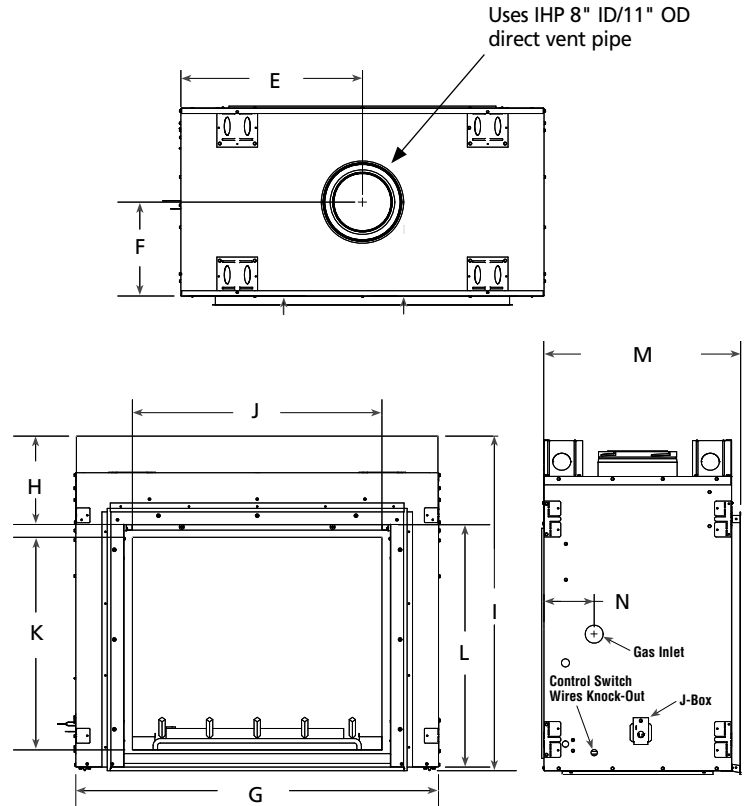
FLAT WALL FRAMING SPECIFICATIONS



DRT63ST

A	52-1/16"
B	47-5/16"
C	75-1/2"
D	26-5/16" (Pedestal for outdoor applications only)

APPLIANCE SPECIFICATIONS



DRT63ST

E	25-9/32"
F	13-3/32"
G	50-1/2"
H	12-5/16"
I	46-19/32"
J	34-3/4"
K	29-19/32"
L	33-3/4"
M	27-7/16"
N	7"



Approved for use with European Copper and Chimney Classics chimney tops, which improve performance and add an elegant touch.

On the Cover: DRT63ST shown with Black Reflective Porcelain liner and Aged Oak Log set

IMPORTANT NOTES:

As with any fireplace, this appliance is extremely hot during operation. Read and understand all operating instructions before using this appliance. For further information, consult your dealer.

Local conditions, such as elevation, wind, vent configuration and choice of fuel will affect overall appearance of the fire and heating performance. Performance can also vary with home design and insulation, climate, condition and type of fuel used, appliance location, burn rate, accessories chosen, chimney installation and how the appliance is operated.

Diagrams, illustrations and photographs are not to scale—consult installation instructions. Product designs, materials, dimensions, specifications, colors and prices are subject to change or discontinuance without notice.

FIREPLACE EFFICIENCIES

MODEL	FUEL	BTU/HR	AFUE**	ENERGUIDE*
DRT63STTEN	NG	40,000-60,000	68%	67%
DRT63STTEP	LP	43,500-56,000	70%	67%
DRT63STYN	NG	40,000-60,000	68%	62%

*Intermittent ignition systems.

**Annual Fuel Utilization Efficiency (AFUE) is the recognized U.S. rating system for the total efficiency of heating products.



© 2014 Innovative Hearth Products

785408M 07/14

Visit us online



SuperiorFireplaces.us.com

