



Intertek Report No.
100513650

P/N 506009-14 Rev. NC 12/2013

This manual is one of a set of two supporting this product.
Refer to P/N 506010-10 for Care and Operation Instructions.

*Ce manuel est disponible en français, simplement
en faire la demande. Numéro de la pièce 506009-15.*

INSTALLATION INSTRUCTIONS

Signature Series 40 and 45 in. Direct Vent Gas Fireplaces

MODELS

DRT6340TEN	DRT6345TEN
DRT6340TEP	DRT6345TEP
DRC6340TEN	DRC6345TEN
DRC6340TEP	DRC6345TEP

INSTALLER: Leave this manual with the appliance.
CONSUMER: Retain this manual for future reference.
INSTALLATEUR : Laissez cette notice avec l'appareil.
CONSOMMATEUR : Conservez cette notice pour
consultation ultérieure.

Decorative Product: Not for use as a heating appliance.

NOTICE: Fireplace is not to be operated by a thermostat.

This appliance may be installed in an aftermarket permanently located, manufactured home (USA only) or mobile home, where not prohibited by local codes. This appliance is only for use with the type of gas indicated on the rating plate. This appliance is not convertible for use with other gases unless a certified kit is used.

WARNING / AVERTISSEMENT / AVISO

**HOT GLASS WILL
CAUSE BURNS.
DO NOT TOUCH GLASS
UNTIL COOLED
NEVER ALLOW CHILDREN
TO TOUCH GLASS.**



**UNE SURFACE VITRÉE CHAUDE
PEUT CAUSER DES BRÛLURES.
LAISSER REFROIDIR LA SURFACE
VITRÉE AVANT D'Y TOUCHER.
NE PERMETTEZ JAMAIS À UN ENFANT
DE TOUCHER LA SURFACE VITRÉE.**

**EL VIDRIO CALIENTE
CAUSARÁ QUEMADURAS.
USTED DEBE NUNCA
TOCAR EL VIDRIO CALIENTE.
LOS NIÑOS DEBEN NUNCA
TOCAR EL VIDRIO.**

WARNING: If the information in these instructions is not followed exactly, a fire or explosion may result, causing property damage, personal injury, or death.

- Do not store or use gasoline or other flammable vapors and liquids in the vicinity of this or any other appliance.
- **WHAT TO DO IF YOU SMELL GAS:**
 - Do not try to light any appliance.
 - Do not touch any electrical switch; do not use any phone in your building.
 - Immediately call your gas supplier from a neighbor's phone. Follow the gas supplier's instructions.
 - If you cannot reach your gas supplier, call the fire department.
- Installation and service must be performed by a qualified installer, service agency or the gas supplier.

AVERTISSEMENT : Assurez-vous de bien suivre les instructions données dans cette notice pour réduire au minimum le risque d'incendie ou d'explosion ou pour éviter tout dommage matériel, toute blessure ou la mort.

- Ne pas entreposer ni utiliser d'essence ni d'autres vapeurs ou liquides inflammables dans le voisinage de cet appareil ou de tout autre appareil.
- **QUE FAIRE SI VOUS SENTEZ UNE ODEUR DE GAZ :**
 - Ne pas tenter d'allumer d'appareil.
 - Ne touchez à aucun interrupteur. Ne pas vous servir des téléphones se trouvant dans le bâtiment où vous trouvez.
 - Appelez immédiatement votre fournisseur de gaz depuis un voisin. Suivez les instructions du fournisseur.
 - Si vous ne pouvez rejoindre le fournisseur de gaz, appelez le service des incendies.
- L'installation et l'entretien doivent être assurés par un installateur ou un service d'entretien qualifié ou par le fournisseur de gaz.

TABLE OF CONTENTS

Packaging	2
Introduction	2
General Information	3
Massachusetts Requirements	4
Cold Climate Insulation	5
Manufactured Home Requirements	5
Location	5
Vent Termination Clearances	6
Minimum Clearances to Combustibles	8
Detailed Installation Steps	9
Typical Installation Sequence	9
Step 1. Framing	9
Fireplace and Framing Specifications	10
Step 2. Routing Gas Line	11
Proper Sizing of Gas Line	11
Step 3. Install the Vent System	12
Vertical Termination Systems	13
Vent Section Length Chart	13
Vertical Vent Tables and Figures	16
Horizontal Termination System	17
Horizontal Vent Tables and Figures	19
Step 4. Field Wiring	21
Step 5. Removing Glass Door	
Frame Assembly	23
Step 6. Connecting Gas Line	23
Step 7. Checking Appliance	
Operation	23
Step 8. Installing Logs and Panels	24
Step 9. Installing Glass Door	26
Step 10. Burner Adjustments	26
Finishing Requirements	28
Step 11. Attaching Safety-in-	
Operation Warnings	29
Installation Accessories	30
Gas Conversion Kits	31

Please read and understand these instructions before beginning your installation.



We recommend that our gas hearth products be installed and serviced by professionals who are certified in the U.S. by the National Fireplace Institute® (NFI) as NFI Gas Specialists.

www.nficertified.org

PACKAGING

The assembled fireplace is packaged with the following:

- **Literature Kit** (plastic bag shipped inside firebox), containing *Care and Operation Instructions*, *Installation Instructions* (this manual), Safety-in-Operation Warning Labels, and Warranty.
- **Pull Screen Kit**
- **Remote Control and Wall Receiver Switch Kit**
- **Door Modesty Shield**

Traditional Fireplaces

- Log set
- Ceramic Firebox Liner Kit
- One (1) bag **Glowing Embers**
- One (1) bag **Platinum Embers**
- One (1) bag **Volcanic Stone**
- **Log Grate**

Contemporary Fireplaces

- Porcelain Firebox Liner Kit
- One (1) bag **Glass Media**

INTRODUCTION

The **Signature Series** direct-vent, sealed-combustion gas fireplaces operate on natural or propane gas. These appliances feature a remotely controlled electronic intermittent pilot ignition system (manual adjustment of the gas valve settings is not possible).

The Signature Series is a decorative fireplace and may not be installed and operated as the primary heat source in a dwelling.

Electrical power (120 VAC line voltage) is recommended to operate the fireplace; however, four (4) "AA" batteries can be used for full-time operation or as a backup in case of a power outage.

Approved Vent Components

These fireplaces are designed, tested, and listed for operation and installation with **Secure Vent®** direct vent system components (8" inner, 11" outer) manufactured by Security Chimneys International.

These approved vent system components are labeled for identification. **USE ONLY APPROVED VENT COMPONENTS. Do NOT use any other manufacturer's vent components with these appliances.**

Codes and Standards

These appliances comply with National Safety Standards and are tested and listed by Intertek (Report No. 100513650) to Z21.50 (in Canada, CSA-2.22), and CAN/CGA-2.17-M91 in both USA and Canada, as vented gas fireplaces.

These appliances are listed by Intertek for installation in bedrooms and mobile homes.

Installation must conform to local codes. In the absence of local codes, installation must comply with the current National Fuel Gas Code, ANSI Z223.1 (in Canada, the current CAN/CGA-B149.1 installation code).

The appliance, when installed, must be electrically grounded in accordance with local codes or, in the absence of local codes, with the National Electrical Code, ANSI/NFPA 70 (latest edition) or the Canadian Electrical Code, CSA C22.1 (latest edition).

GENERAL INFORMATION

! WARNING

Young children should be carefully supervised when they are in the same room as the appliance. Toddlers, young children and others may be susceptible to accidental contact burns. A physical barrier is recommended if there are at risk individuals in the house. To restrict access to a fireplace or stove, install an adjustable safety gate to keep toddlers, young children and other at risk individuals out of the room and away from hot surfaces.

! AVERTISSEMENT

Les jeunes enfants devraient être surveillés étroitement lorsqu'ils se trouvent dans la même pièce que l'appareil. Les tout petits, les jeunes enfants ou les adultes peuvent subir des brûlures s'ils viennent en contact avec la surface chaude. Il est recommandé d'installer une barrière physique si des personnes à risques habitent la maison. Pour empêcher l'accès à un foyer ou à un poêle, installez une barrière de sécurité; cette mesure empêchera les tout petits, les jeunes enfants et toute autre personne à risque d'avoir accès à la pièce et aux surfaces chaudes.

Children and adults should be alerted to the hazards of high surface temperature and should stay away to avoid burns or clothing ignition.

Les enfants et les adultes devraient être informés des dangers que posent les températures de surface élevées et se tenir à distance afin d'éviter des brûlures ou que leurs vêtements ne s'enflamment.

DO NOT ATTEMPT TO ALTER OR MODIFY THE CONSTRUCTION OF THE APPLIANCE OR ITS COMPONENTS. ANY MODIFICATION OR ALTERATION MAY VOID THE WARRANTY, CERTIFICATION AND LISTINGS OF THIS UNIT.

! WARNING

Improper installation, adjustment, alteration, service or maintenance can cause injury or property damage. Refer to this manual. For assistance or additional information consult a qualified installer, service agency or the gas supplier.

! WARNING

Failure to comply with these installation instructions will result in an improperly installed and operating appliance, voiding its warranty. Any change to this appliance and/or its operating controls is dangerous.

! WARNING

Clothing or other flammable material should not be placed on or near the appliance.

! AVERTISSEMENT

On ne devrait pas placer de vêtements ni d'autres matières inflammables sur l'appareil ni à proximité.

! WARNING

Any safety screen or guard removed for servicing the appliance must be replaced prior to operating the appliance.

! AVERTISSEMENT

Tout écran ou protecteur retiré pour permettre l'entretien de l'appareil doit être remis en place avant de mettre l'appareil en marche.

! WARNING

Improper installation or use of this appliance can cause serious injury or death from fire, burns, explosion or carbon monoxide poisoning.

Installation and repair should be done by a qualified service person. The appliance should be inspected before use and at least annually by a professional service person. More frequent cleaning may be required due to excessive lint from carpeting, bedding material, etcetera. It is imperative that control compartments, burners and circulating air passageways of the appliance be kept clean.

L'installation et la réparation devrait être confiées à un technicien qualifié. L'appareil devrait faire l'objet d'une inspection par un technicien professionnel avant d'être utilisé et au moins une fois l'an par la suite. Des nettoyages plus fréquents peuvent être nécessaires si les tapis, la literie, et cetera produisent une quantité importante de poussière. Il est essentiel que les compartiments abritant les commandes, les brûleurs et les conduits de circulation d'air de l'appareil soient tenus propres.

Do not use this appliance if any part has been under water. Immediately call a qualified service technician to inspect the appliance and to replace any parts of the control system and any gas control which have been under water.

Ne pas se servir de cet appareil s'il a été plongé dans l'eau, complètement ou en partie. Appeler un technicien qualifié pour inspecter l'appareil et remplacer toute partie du système de contrôle et toute commande qui ont été plongés dans l'eau.

Only trim kit(s) supplied by the manufacturer shall be used in the installation of this appliance.

Seules les trousse de garniture fournies par le fabricant doivent être utilisées pour l'installation de cet appareil.

Provide adequate clearances around air openings and adequate accessibility clearance for service and proper operation. Never obstruct the front openings of the appliance.

These appliances are designed to operate on natural or propane gas only. The use of other fuels or combination of fuels will degrade the performance of this system and may be dangerous.

These appliances must not be connected to a chimney or flue serving a separate solid fuel burning appliance.

These electronic appliances are remotely controlled and feature an electronic intermittent pilot ignition system or standing pilot. External electrical power is required to operate these units.

These electronic models come standard with a remotely-modulated gas valve; flame appearance and heat output cannot be controlled at the gas valve. The BTU Input for these appliances is shown in **Table 1**.

Input (BTU/HR)	
Model	Input (BTU/Hr)
Natural Gas	
40 in.	32,000 to 50,000
45 in.	38,500 to 60,000
Propane Gas	
40 in.	32,000 to 50,000
45 in.	38,500 to 60,000

Table 1

Gas Pressure—All Models

Appliance inlet and manifold gas pressure requirements are listed in **Tables 2 and 3**.

Inlet Gas Supply Pressure		
Fuel #	Minimum	Maximum
Natural Gas	5.5" WC (1.37 kPa)	10.5" WC (2.61 kPa)
Propane	11.0" WC (2.74 kPa)	13.0" WC (3.23 kPa)

Table 2

Manifold Gas Supply Pressure		
Fuel #	Low	High
Natural Gas	1.6" WC (.4 kPa)	3.5" WC (.87 kPa)
Propane	6.3" WC (1.57 kPa)	10.0" WC (2.49 kPa)

Table 3

Test gauge connections are provided on the front of the gas control valve (identified IN for the inlet and OUT for the manifold side).

Propane tanks are at pressures that will cause damage to valve components. Verify that the tanks have step-down regulators to reduce the pressure to safe levels.

The appliance and its appliance main gas valve must be disconnected from the gas supply piping system during any pressure testing of that system at test pressures **in excess of** 1/2 psi (3.5 kPa).

The appliance must be isolated from the gas supply piping system by closing its equipment shutoff valve during any pressure testing of the gas supply piping system at test pressures **equal to or less than** 1/2 psi (3.5 kPa).

Orifice Sizes—Sea Level To High Altitude (All Models)

These appliances are tested and approved for installation at elevations of 0–4500 feet (0–1372 meters) above sea level, using the standard burner orifice sizes (marked with an asterisk (*) in **Table 4**). For elevations above 4500 feet, contact your gas supplier or qualified service technician.

Deration—At higher elevations, the amount of BTU fuel value delivered must be reduced by either:

- using gas that has been derated by the gas company; or
- changing the burner orifice to a smaller size as regulated by the local authorities having jurisdiction and by the (USA) National Fuel Gas Code NFPA 54/ANSI Z223.1—latest edition or, in Canada, the CAN/CGA-B149.1 codes—latest edition.

Install the appliance according to the regulations of the local authorities having jurisdiction and, in the USA, the National Fuel Gas Code NFPA 54 / ANSI Z223.1—latest edition or, in Canada, the CAN/CGA-B149.1 - latest edition.

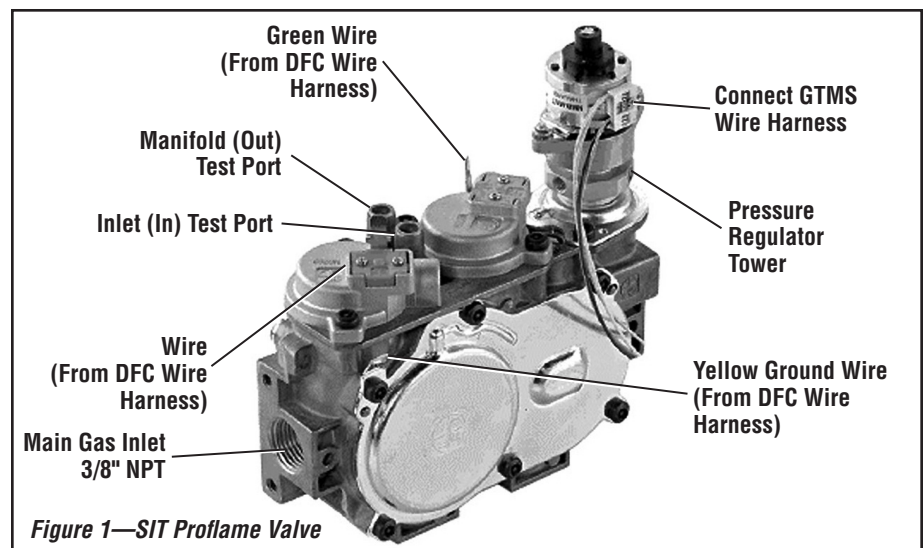
NOTE: Flame appearance will diminish 4% per thousand feet of altitude.

Burner Orifice Sizes Elevation 0–4500 ft (0–1372 m)			
Model	Nat. Gas drill size (inches)	Propane drill size (inches)	
Traditional	40 in.	0.1405" (#28)* • H2286	0.086" (#44)* • H2287
	45 in.	0.154" (#23)* • H8808	0.093" (#42)* • H4816
Contemp	40 in.	0.0700" (#50)*	0.0700" (#50)*
	45 in.	0.0700" (#50)*	0.0700" (#50)*

Table 4 * Standard size installed at factory Part /Cat. Number

Gas Valve Diagram

The SIT Proflame gas valve is shown in **Figure 1**.



NOTE: DIAGRAMS & ILLUSTRATIONS ARE NOT TO SCALE.

REQUIREMENTS FOR THE COMMONWEALTH OF MASSACHUSETTS

These fireplaces are approved for installation in the US state of Massachusetts if the following additional requirements are met:

- Install this appliance in accordance with Massachusetts Rules and Regulations 248 C.M.R.
- Installation and repair must be done by a plumber or gas fitter licensed in the Commonwealth of Massachusetts.
- The flexible gas line connector used shall not exceed 36 inches (92 centimeters) in length.
- The individual manual shut-off must be a T-handle type valve.

Massachusetts Horizontal Vent Requirements

In the Commonwealth of Massachusetts, horizontal terminations installed less than seven (7) feet above the finished grade must comply with the following additional requirements:

- A hard wired carbon monoxide detector with an alarm and battery back-up must be installed on the floor level where the gas fireplace is installed. The carbon monoxide detector must comply with NFPA 720, be ANSI/UL 2034 listed and be ISA certified.
- A metal or plastic identification plate must be permanently mounted to the exterior of the building at a minimum height of eight (8) feet above grade and be directly in line with the horizontal termination. The sign must read, in print size no less than one-half (1/2) inch in size, GAS VENT DIRECTLY BELOW. KEEP CLEAR OF ALL OBSTRUCTIONS.

COLD CLIMATE INSULATION

For cold climate installations, seal all cracks around your appliance with noncombustible material and wherever cold air could enter the room. It is especially important to insulate outside chase cavity between studs and under floor on which appliance rests, if floor is above ground level. Gas line holes and other openings should be caulked or stuffed with unfaced fiberglass insulation.

If the fireplace is being installed on a cement slab in cold climates, a sheet of plywood or other raised platform can be placed underneath to prevent cold transfer to the fireplace and into the room. It also helps to sheetrock inside surfaces and tape for maximum air tightness and caulk firestops.

MANUFACTURED HOME REQUIREMENTS

This appliance may be installed in an aftermarket permanently located, manufactured home and must be installed in accordance with the manufacturer's instructions and the Manufactured Home Construction and Safety Standard, Title 24 CFR, Part 3280, in the United States, or the Standard for Installation in Mobile Homes, CAN/CSA Z240 MH Series, in Canada.

Cet appareil peut être installé comme du matériel d'origine dans une maison préfabriquée (É.U. seulement) ou mobile et doit être installé selon les instructions du fabricant et conformément à la norme Manufactured Home Constructions and Safety, Title 24 CFR, Part 3200 aux Unis ou à la norme Can/CSA-Z240 Série MM, Maisons mobiles au Canada.

This appliance is only for use with the type of gas indicated on the rating plate. This appliance is not convertible for use with other gases, unless a certified kit is used.

Cet appareil doit être utilisé uniquement avec le type de gaz indiqué sur la plaque signalétique. Cet appareil ne peut être converti à d'autres gaz, sauf si une trousse de conversion est utilisée.

CAUTION: Ensure that the cross members are not cut or weakened during installation. The structural integrity of the manufactured home floor, wall, and ceiling / roof must be maintained.

CAUTION: This appliance must be grounded to the chassis of the manufactured home in accordance with local codes or in the absence of local codes, with the National Electrical Code ANSI / NFPA 70—latest edition or the Canadian Electrical Code CSA C22.1—latest edition.

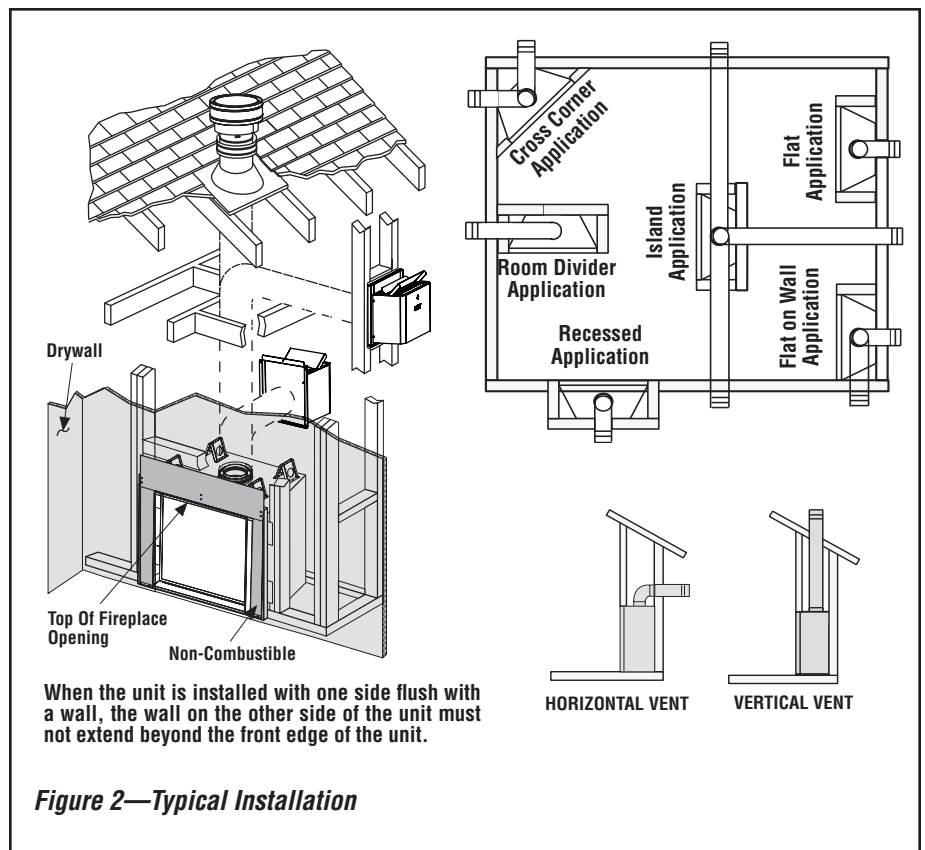


Figure 2—Typical Installation

LOCATION

In selecting the location, the aesthetic and functional use of the appliance are primary concerns. However, vent system routing to the exterior and access to the fuel supply are also important.

Due to high temperatures, the appliance should be located out of traffic and away from furniture and draperies (Figure 2).

En raison des températures élevées, l'appareil devrait être installé dans un endroit où il y a peu de circulation et loin du mobilier et des tentures (Figure 2).

The location should also be free of electrical, plumbing or other heating/air conditioning ducting.

These direct-vent appliances are uniquely suited for installations requiring a utility shelf positioned directly above the fireplace. Utility shelves like these are commonly used for locating television sets and decorative plants.

Be aware that this is a heat producing appliance. Objects placed above the unit are exposed to elevated temperatures.

Do not insulate the space between the appliance and the area above it (see Figure 7 on Page 8).

The minimum height from the base of the appliance to the underside of combustible materials used to construct a utility shelf in this fashion is shown in **Figure 7 on Page 8**.

The appliance must be mounted on a fully supported base extending the full width and depth of the unit. The appliance may be located on or near conventional construction materials. However, if installed on combustible materials, such as carpeting, vinyl tile, or other combustible material other than wood flooring, the appliance shall be installed on a metal or wood panel extending the full width and depth of the appliance.

VENT TERMINATION CLEARANCES

These instructions should be used as a guideline and do not supersede local codes in any way. Install vent according to local codes, these instructions, the current National Fuel Gas Code (ANSI-Z223.1) in the USA or the current standards of CAN/CGA-B149.1 in Canada.

Vertical Vent Termination Clearances

Terminate multiple vent terminations according to the installation codes listed above. Also see **Figure 3**.

Terminate single vent caps relative to building components according to **Figures 3** and **4**.

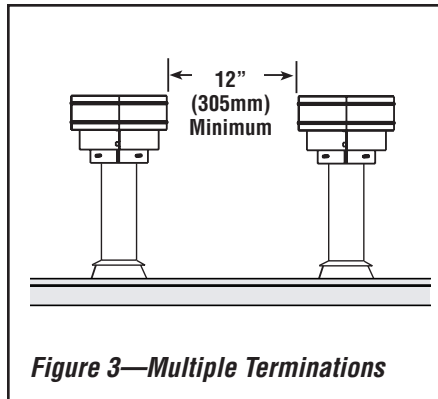
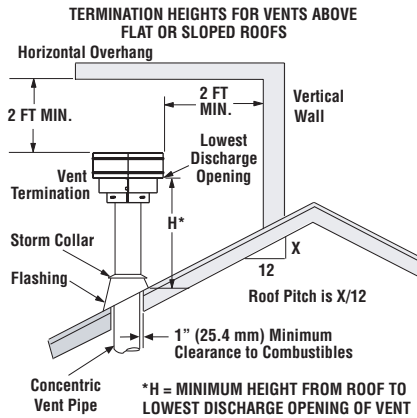


Figure 3—Multiple Terminations

Vertical Vent Termination Clearances



The vent / air intake termination clearances above the high side of an angled roof is as shown in the following chart:

Termination Heights For Vents Above Flat Or Sloped Roofs Ref. NFPA 54 / ANSI Z223.1		
Roof Pitch	* Feet	* Meters
Flat to 6/12	1.0	0.3
6/12 to 7/12	1.25	0.38
7/12 to 8/12	1.5	0.46
8/12 to 9/12	2.0	0.61
9/12 to 10/12	2.5	0.76
10/12 to 11/12	3.25	0.99
11/12 to 12/12	4.0	1.22
12/12 to 14/12	5.0	1.52
14/12 to 16/12	6.0	1.83
16/12 to 18/12	7.0	2.13
18/12 to 20/12	7.5	2.29
20/12 to 21/12	8.0	2.44

Figure 4

Horizontal Vent Termination Clearances

The horizontal vent termination must have a minimum of 3" (76 mm) clearance to any overhead combustible projection of 2-1/2" (64 mm) or less (see **Figure 5**). For projections exceeding 2-1/2" (64 mm), see **Figure 5**. For additional vent location restrictions refer to **Figure 6** on **Page 7**.

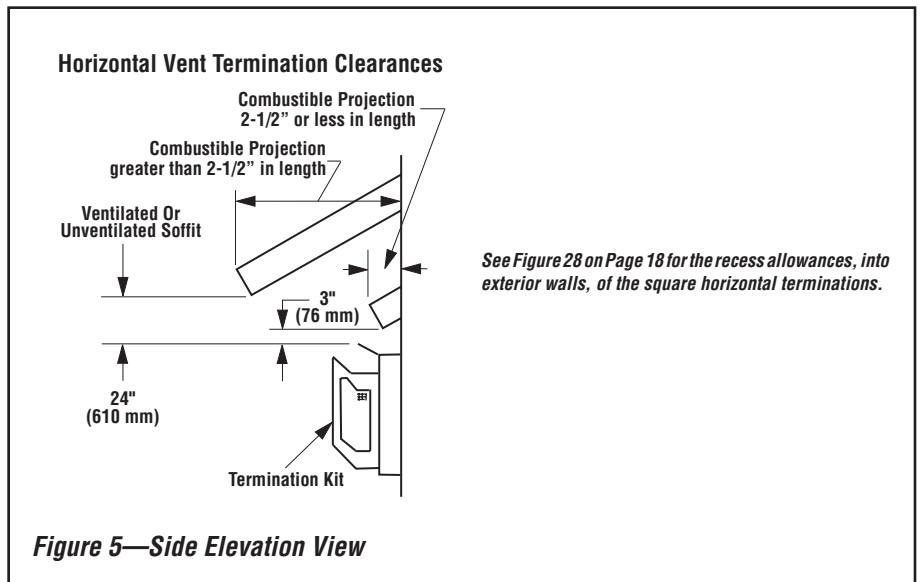
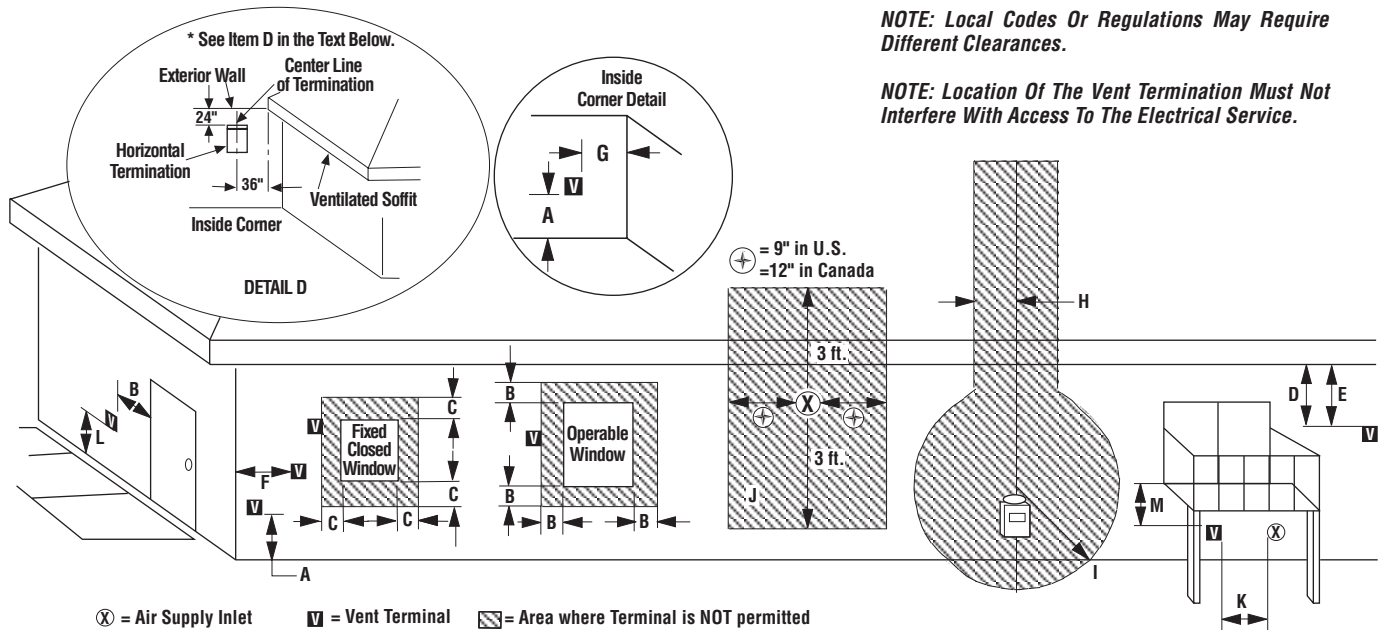


Figure 5—Side Elevation View

See Figure 28 on Page 18 for the recess allowances, into exterior walls, of the square horizontal terminations.



Minimum Clearances	Canadian Installation *	US Installation **
A = Clearance above grade, veranda, porch, deck or balcony.	12" (30 cm) *	12" (30 cm) **
B = Clearance to window or door that may be opened.	6" (15.2 cm) for appliances < 10,000 BTU/hr (3kW), 12" (30 cm) for appliances > 10,000 BTU/hr (3kW) and < 100,000 BTU/hr (30kW), 36" (91 cm) for appliances > 100,000 BTU/hr (30kW)*	6" (15.2 cm) for appliances < 10,000 BTU/hr (3kW), 9" (23 cm) for appliances > 10,000 BTU/hr (3kW) and < 50,000 BTU/hr (15kW), 12" (30 cm) for appliances > 50,000 BTU/hr (15kW)*
C = Clearance to permanently closed window	12" (305 mm) recommended to prevent window condensation	9" (229 mm) recommended to prevent window condensation
D = Vertical clearance to ventilated soffit located above the terminal within a horizontal distance of 36" (91.4cm) from the center line of the terminal	24" (61.0 cm)	24" (61.0 cm)
E = Clearance to unventilated soffit	24" (61.0 cm)	24" (61.0 cm)
F = Clearance to outside corner	5" (12.7 cm)	5" (12.7 cm)
G = Clearance to inside corner	36" (91.4 cm)	24" (61.0 cm)
H = Clearance to each inside of center line extended above meter / regulator assembly	3 feet (91 cm) within a height of 15 feet above the meter / regulator assembly *	3 feet (91 cm) within a height of 15 feet above the meter / regulator assembly **
I = Clearance to service regulator vent outlet	3 feet (91 cm) *	3 feet (91 cm) **
J = Clearance to non-mechanical air supply inlet to building or the combustion air inlet to any other appliance	6" (15.2 cm) for appliances < 10,000 BTU/hr (3kW), 12" (30 cm) for appliances > 10,000 BTU/hr (3kW) and < 100,000 BTU/hr (30kW), 36" (91 cm) for appliances > 100,000 BTU/hr (30kW)*	6" (15.2 cm) for appliances < 10,000 BTU/hr (3kW), 9" (23 cm) for appliances > 10,000 BTU/hr (3kW) and < 50,000 BTU/hr (15kW), 12" (30 cm) for appliances > 50,000 BTU/hr (15kW)*
K = Clearance to mechanical air supply inlet	6 feet (1.83 meters) *	3 feet (91 cm) above, if within 10 feet (3 m) horizontally**
L = Clearance above paved sidewalk or paved driveway located on public property	7 feet (2.13 m) ‡	7 feet (2.13 m) ‡
M = Clearance under veranda, porch, deck or balcony	18" (46.0 cm) * ‡	18" (46.0 cm) ** ‡
* In accordance with the current CAN/CGA-B149.1 National Gas and B149.2 Propane Installation Code—Latest Editions.		
** In accordance with the current ANSI Z223.1 / NFPA 54 National Fuel Codes—Latest Edition.		
‡ A vent shall not terminate directly above a sidewalk or paved driveway which is located between two single family dwellings and serves both dwellings.		
*‡ Only permitted if veranda, porch, deck or balcony is fully open on a minimum 2 sides beneath the floor.		

Figure 6—Exterior Horizontal Vent Termination Clearance Requirements

MINIMUM CLEARANCES TO COMBUSTIBLES

The appliance is approved with zero clearance to combustible materials on all sides (as detailed in **Table 5**), with the following exception: **When the unit is installed with one side flush with a wall, the wall on the other side of the unit must not extend beyond the front edge of the unit.** In addition, when the unit is recessed, the side walls surrounding the unit must not extend beyond the front edge of the unit (see **Figure 2**).

APPLIANCE MINIMUM CLEARANCES*	
Inches (millimeters)	
Sides	1/2 (13), 0 (0) Spacers **
Top Spacers	0 (0)
Floor	0 (0)
Back	1/2 (13), 0 (0) Spacers
Bottom of Appliance To Ceiling	69 (1743)
Vent	3 (76) Top* / 1 (25.4) Sides & Bottom
SERVICE CLEARANCES Feet (meters)	
Front	3 feet (0.9 meters)

Table 5

***NOTE:** 3" (75 mm) above any horizontal/inclined vent component.
****NOTE:** See Page 9, Step 1 for clearance requirements to the nailing flange located at each side of the unit and any screw heads adjacent to it. See Page 28 for hearth extension requirements.

Shelf Height

To provide for the lowest possible shelf surface, the venting attached to the top vent should be routed in a way to minimize obstructions to the space above the appliance. **Do not insulate the space between the appliance and the area above it** (see **Figure 7**). The minimum height from the base of the appliance to the underside of combustible materials used to construct a utility shelf in this fashion is shown in **Figure 7**.

Wall Finishes / Surrounds / Mantels

NOTE: Combustible wall finish materials and/or surround materials must not be allowed to encroach the area defined by the appliance front face (black sheet metal). **Never allow combustible materials to be positioned in front of or overlapping the appliance face.** See **Figure 9** and **Figure 51** on Page 28.

Non-combustible materials, such as surrounds and other appliance trim, may be installed on the appliance front face with these exceptions: they must not cover any portion of the removable glass panel.

Vertical installation clearances to combustible mantels vary according to the depth of the mantel. See **Figure 8**. Mantels constructed of non-combustible materials may be installed at any height above the appliance opening. Minimum clearance requirements include any projections such as shelves, window sills, mantels, etc. above the appliance.

NOTE: We recommend the use of high temperature paint (rated 175° F or higher) on the underside of the mantel.

Combustible Shelf Height—Inches (millimeters)	
Top Vent—with 2 Feet Vertical Vent and One 90 Degree Elbow	
Model	Secure Vent®
40 in.	*84-1/16 (2135)
45 in.	*89-1/16 (2252)

* Includes 3" clearance to combustibles (required above vent components)

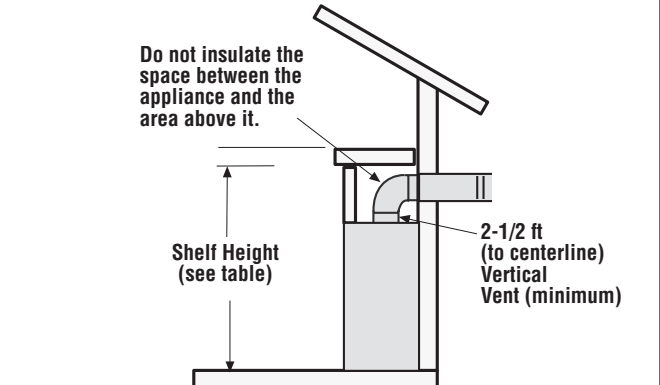


Figure 7 Shelf Above Fireplace With Top Venting

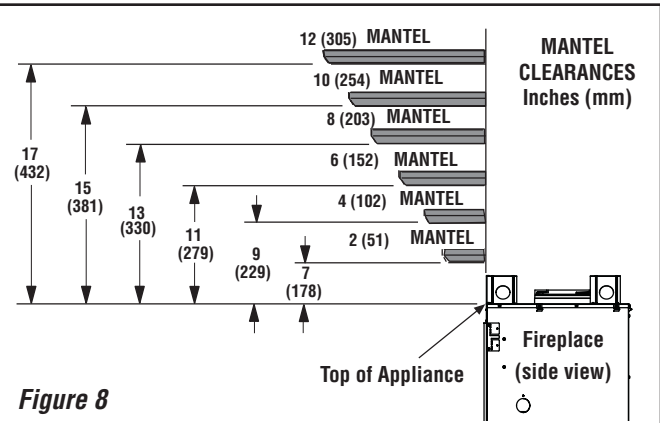


Figure 8

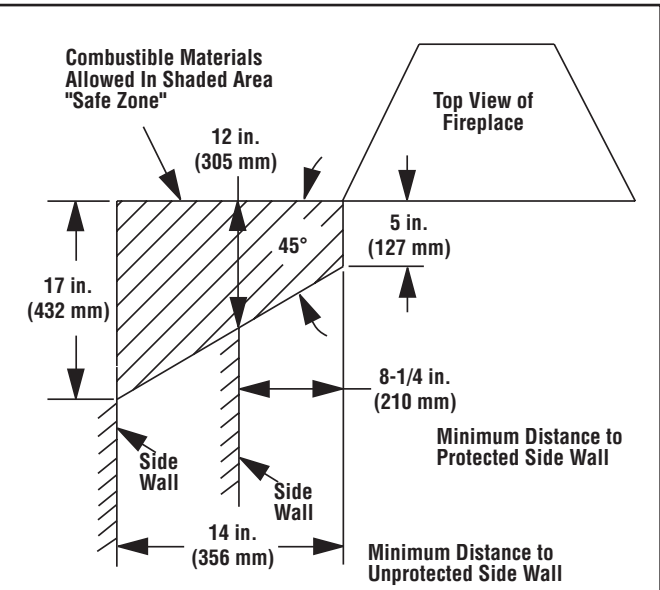


Figure 9

! WARNING

Failure to position the parts in accordance with these diagrams or failure to use only parts specifically approved with this appliance may result in property damage or personal injury.

! AVERTISSEMENT

Risque de dommages ou de blessures si les pièces ne sont pas installées conformément à ces schémas et ou si des pièces autres que celles spécifiquement approuvées avec cet appareil sont utilisées.

DETAILED INSTALLATION STEPS

The appliance is shipped with all gas controls and components installed and pre-wired.

1. Remove the shipping carton, exposing the front glass door on the valve access side.
2. Using a Phillips screwdriver, unfasten two (2) screws located at the top of the glass frame (see *Figure 46 on page 26*). Tilt the top of the glass frame away from the unit. Lift it carefully off the bottom door track and set the door aside, protecting it from inadvertent damage.

TYPICAL INSTALLATION SEQUENCE

The typical sequence of installation is outlined below. However, each installation is unique and may result in variations to the steps described.

See the Page numbers references in the following steps for detailed procedures.

- Step 1. (Page 9)** Construct the appliance framing. Position the appliance within the framing and secure with nailing brackets.
- Step 2. (Page 11)** Route gas supply line to the right side.
- Step 3. (Page 12)** Install the vent system and exterior termination.
- Step 4. (Page 21)** Connect 120 VAC electrical power to the appliance receptacle.
- Step 5. (Page 23)** Remove glass door assembly.
- Step 6. (Page 23)** Make connection to gas supply.
- Step 7. (Page 23)** Verifying appliance operation.
- Step 8. (Page 24)** Install firebox liner panels, logs, and glowing embers

OR
contemporary burner/floor kit, porcelain panels, and media.
- Step 9. (Page 26)** Install glass door assembly.
- Step 10. (Page 26)** Adjust burner to ensure proper flame appearance.
- Step 11. (Page 29)** Attach safety in operation warnings.

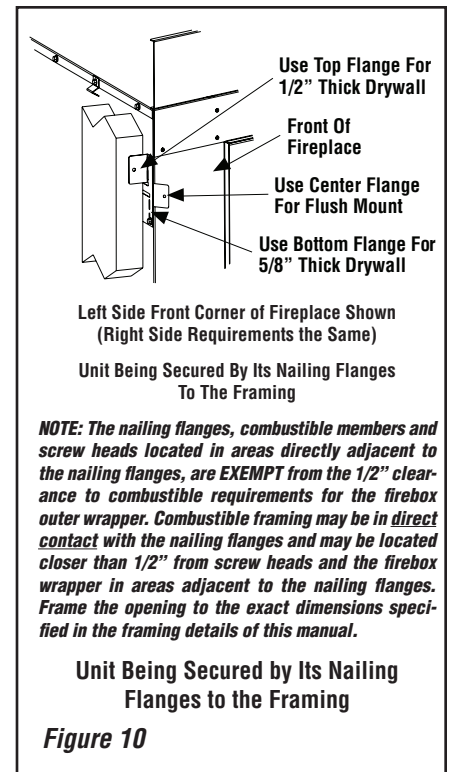
Step 1. FRAMING

Frame these appliances as illustrated in *Figure 11 on Page 10*, unless the appliance is to be installed in a corner. See *Figure 12 on Page 11* for corner framing installations. All framing details must allow for a minimum clearance to combustible framing members as shown in *Table 5 on Page 8*.

If the appliance is to be elevated above floor level, a solid continuous platform must be constructed below the appliance.

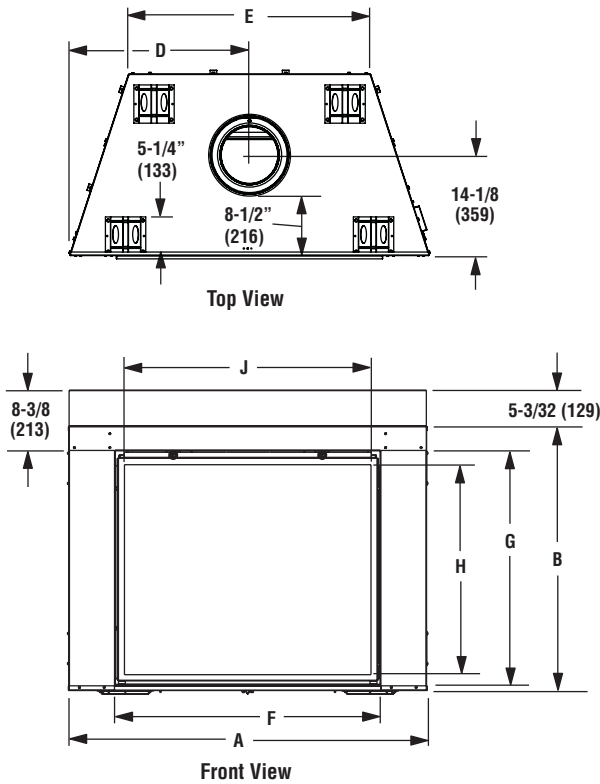
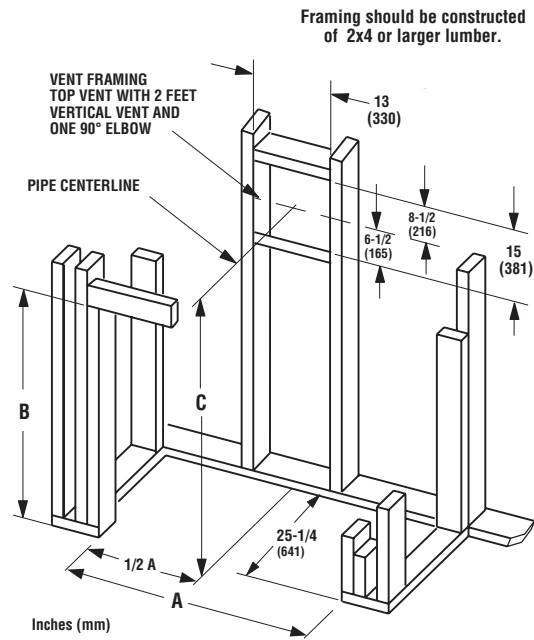
Headers may be in direct contact with the appliance top spacers but must not be supported by them or notched to fit around them. All construction above the appliance must be self-supporting, **DO NOT** use the appliance for structural support.

The fireplace should be secured to the side framing members using the unit's nailing flanges—one top and bottom on each side of the fireplace front (see *Figure 10*). Use 8d nails or their equivalent.



Framing Dimensions				
Model		A	B	C
40 in.	in.	50-3/4	43	75-1/8
	mm	1289	1092	1908
45 in.	in.	56-7/8	48	80-1/16
	mm	1445	1219	2034

Thermal Efficiency (%)		
	Natural Gas	Propane
Model	P4	P4
40 in.	35.8	TBD
45 in.	51.2	TBD



Canada
ENERGUIDE
Look for the EnerGuide Gas Fireplace Energy Efficiency Rating in this brochure
Based on CSA P.4.1-02

Notes
Diagrams, illustrations and photographs are not to scale — consult installation instructions. Product designs, materials, dimensions, specifications, colors and prices are subject to change or discontinuance without notice.

Vent Size	
Coaxial DV Vent Size	8" Inner 11" Outer

Fireplace Dimensions										
Model		A	B	C	D	E	F	G	H	J
40 in.	in.	50-5/8	37-1/4	42-7/8	25-5/16	34	37-5/8	33-3/32	29-9/32	34-3/4
	mm	1286	946	1089	643	864	956	840	744	883
45 in.	in.	56-11/16	42-1/4	47-7/8	28-3/8	40-1/8	43-5/8	38-3/32	34-1/2	40-59/64
	mm	1440	1073	1216	721	1019	1108	968	876	1039

Figure 11—Fireplace and Framing Specifications

Model		A	B	C	D
40 in.	in.	50-5/8	83-5/8	59-1/8	41-7/8
	mm	1286	2124	1502	1064
45 in.	in.	56-3/4	89-7/8	63-1/2	44-7/8
	mm	1441	2283	1613	1140

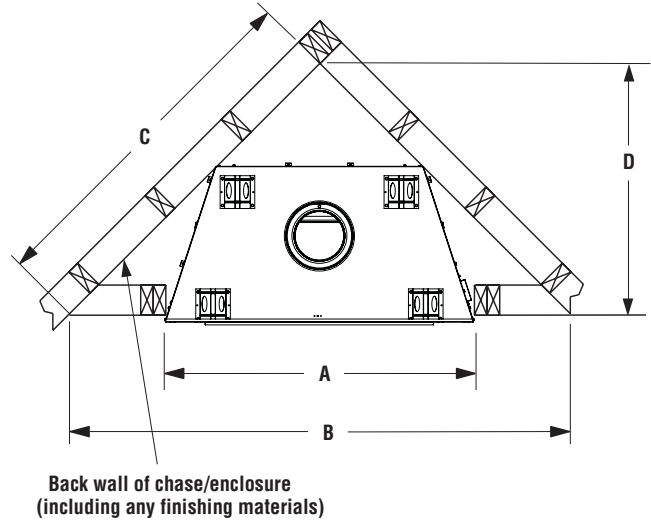


Figure 12—Corner Framing with Square Termination (SV8HTS)

Step 2. ROUTING GAS LINE

Route a 1/2" (13 mm) gas line along the inside of the right side framing as shown in **Figure 13**. Gas lines must be routed, constructed and made of materials that are in strict accordance with local codes and regulations.

All appliances are factory-equipped with a flexible gas line connector and 1/2" shutoff valve. (See **Step 6** on **Page 22**).

The incoming gas line should be piped into the valve compartment and connected in one of the two methods as shown in **Figure 36** on **Page 23**.

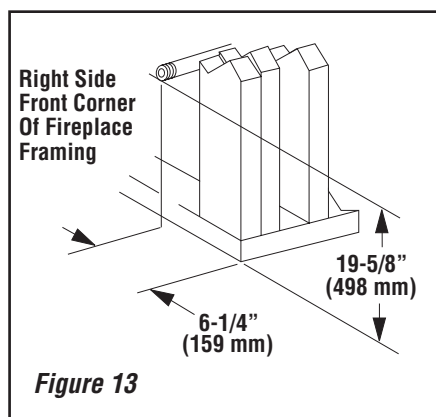


Figure 13

Proper Sizing of Gas Line

Properly size and route the gas supply line from the supply regulator to the area where the appliance is to be installed per requirements outlined in the National Fuel Gas Code, NFPA 54—latest edition (USA) or CAN/CGA-B149.1—latest edition (Canada).

Never use galvanized or plastic pipe. Refer to **Table 6** for proper sizing of the gas supply line, if black iron pipe is being used. Gas lines must be routed, constructed and made of materials that are in strict accordance with local codes and regulations. We recommend that a qualified individual such as a plumber or gas fitter be hired to correctly size and route the gas supply line to the appliance. Installing a gas supply line from the fuel supply to the appliance involves numerous considerations of materials, protection, sizing, locations, controls, pressure, sediment, and more. Certainly no one unfamiliar and unqualified should attempt sizing or installing gas piping.

Schedule 40—Black Iron Pipe Inside Diameter (Inches)		
Schedule 40 Pipe Length (feet)	Natural Gas	Propane Gas
0–10	1/2"	3/8"
10–40	1/2"	1/2"
40–100	1/2"	1/2"
100–150	3/4"	1/2"
150–200	3/4"	1/2"

Table 6

NOTES:

- All appliances are factory-equipped with a flexible gas line connector and 1/2" shutoff valve (see **Figure 36** on **Page 23**).
- See **Massachusetts Requirements** on **Page 4** for additional requirements for installations in the state of Massachusetts in the USA.
- The gas supply line should Not be connected to the appliance until **Step 6** (**Page 23**).
- A pipe joint compound rated for gas should be used on the threaded joints. **Ensure propane resistant compounds are used in propane applications.** Be very careful that the pipe compound does not get inside the pipe.
- It is recommended to install a sediment trap in the supply line as close as possible to the appliance (see **Figure 36** on **Page 23**).
- Check with local building official for local code requirements.

IMPORTANT: If propane is used, be aware that if tank size is too small (i.e. under 100 lbs, if this is the only gas appliance in the dwelling. Ref. NPFA 58), there may be loss of pressure, resulting in insufficient fuel delivery (which can result in sooting, severe delayed ignition or other malfunctions). Any damage resulting from an improper installation, such as this, is not covered under the limited warranty.

Step 3. INSTALL THE VENT SYSTEM

General Information

These instructions should be used as a guideline and do not supersede local codes in any way. Install vent according to local codes, these instructions, the current National Fuel Gas Code (ANSI-Z223.1) in the USA or the current standards of CAN/CGA-B149.1 and -B149.2 in Canada.

Ensure clearances are in accordance with local installation codes and the requirements of the gas supplier.

Dégagement conforme aux codes d'installation locaux et aux exigences du fournisseur de gaz.

Use only approved venting components. See *Approved Vent Components* on Page 2.

These fireplaces must be vented directly to the outside.

The vent system may not service multiple appliances, and must never be connected to a flue serving a separate solid fuel burning appliance. The vent pipe is tested to be run inside an enclosing wall (such as a chase). There is no requirement for inspection openings in the enclosing wall at any of the joints in the vent pipe.

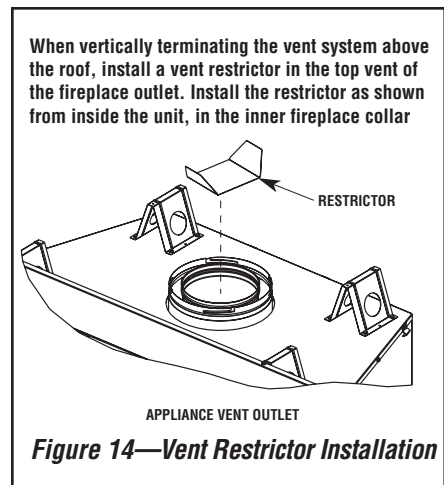
Installation of Vent Restrictor

A vent restrictor may be needed with this appliance. The restrictor is installed in the appliance top flue outlet as shown in *Figure 14*,

For vertical venting from 6 feet to 12 feet or more, from the top of the fireplace to the top of the termination, the installation of a vent restrictor is required.

If necessary, install a vent restrictor in the appliance flue outlet as shown in *Figure 14*. The vent restrictor is held in place by friction, only.

NOTE: The restrictor is included within the firebox.



Select Venting System—Horizontal or Vertical

With the appliance secured in framing, determine vent routing and identify the exterior termination location. The following sections describe vertical (roof) and horizontal (exterior wall) vent applications. Refer to the section relating to your installation. **A list of approved venting components is shown on Page 30.**

VERTICAL TERMINATION SYSTEMS (ROOF)

See *Figure 15* and *Figures 23 through 25* on *Page 16* and their associated Vertical Vent Tables which illustrate the various vertical venting configurations that are possible for use with these appliances. **Secure Vent®** pipe applications are shown in these figures. A Vertical Vent Table summarizes each system's minimum and maximum vertical and horizontal length values that can be used to design and install the vent components in a variety of applications.

The vertical vent system terminates through the roof. The minimum vent height above the roof and/or adjacent walls is specified in ANSI Z223.1—latest edition (In Canada, the current CAN/CGA-B149.1 installation code) by major building codes. Always consult your local codes for specific requirements. A general guide to follow is the Gas Vent Rule (refer to *Figure 4* on *Page 6*).

Vertical (Straight) Installation
(*Figure 15*)

Determine the number of straight vent sections required. 4-1/2" (114 mm), 10-1/2" (267 mm), 22-1/2" (572 mm), 34-1/2" (876 mm) and 46-1/2" (1181 mm) net section lengths are available (see *Tables on this page* and *Page 30—Vent Sections*). Plan the vent lengths so that a joint does not occur at the intersection of ceiling or roof joists. Refer to the Vent Section Length Chart.

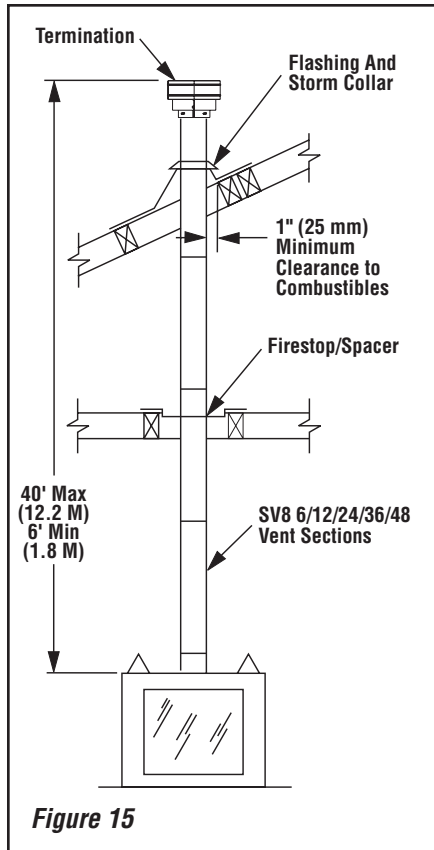


Figure 15

Nominal Section Length (inches)	6	12	24	36	48	TOTAL QTY
Net Section Length (inches)	4-1/2	10-1/2	22-1/2	34-1/2	46-1/2	
Height of Vent		Number of Vent Sections				
inches	ft					
4.5	0.375	1	0	0	0	1
9	0.75	2	0	0	0	2
10.5	0.875	0	1	0	0	1
15	1.25	1	1	0	0	2
19.5	1.625	2	1	0	0	3
21	1.75	0	2	0	0	2
22.5	1.875	0	0	1	0	1
25.5	2.125	1	2	0	0	3
31.5	2.625	0	3	0	0	3
34.5	2.875	0	0	0	1	1
37.5	3.125	1	1	1	0	3
43.5	3.625	0	2	1	0	3
45	3.75	0	0	2	0	2
46.5	3.875	0	0	0	0	1
49.5	4.125	1	0	2	0	3
51	4.25	1	0	0	0	1
55.5	4.625	0	1	2	0	3
57	4.75	0	0	1	1	2
66	5.25	0	2	2	0	4
67.5	5.625	0	0	3	0	3
69	5.75	0	0	0	2	2
72	6	1	0	3	0	4
73.5	6.125	1	0	0	2	3
79.5	6.625	0	1	0	2	3
81	6.75	0	0	0	1	1
90	7.5	0	2	1	0	1
91.5	7.625	0	0	2	0	1
93	7.75	0	0	0	0	2
96	8	1	0	1	2	4
97.5	8.125	1	0	0	0	2
102	8.5	2	0	0	0	2
103.5	8.625	0	0	0	3	3
108	9	1	0	0	3	4
114	9.5	0	2	0	0	2
117	9.75	1	0	5	0	6
118.5	9.875	1	1	0	3	5
126	10.5	0	0	1	3	4
130.5	10.875	1	0	1	3	5
135	11.25	0	0	6	0	6
138	11.5	0	0	0	4	4
139.5	11.625	0	0	0	0	3
142.5	11.875	1	0	0	4	5

Table 7: Vent Section Length Chart

NOTE: Convert inches into metric equivalent measurement, as follows:

Millimeters (mm) = Inches x 25.4
Centimeters (cm) = Inches x 2.54
Meters (M) = Inches x .0254

Nominal Section Length (inches)	6	12	24	36	48	TOTAL QTY
Net Section Length (inches)	4-1/2	10-1/2	22-1/2	34-1/2	46-1/2	
Height of Vent		Number of Vent Sections				
inches	ft					
144	12	1	0	0	0	3
150	12.5	0	1	0	0	3
154.5	12.875	1	1	0	0	3
160.5	13.375	0	2	0	0	3
172.5	14.375	0	0	0	5	0
177	14.75	1	0	0	5	0
183	15.25	0	1	0	5	0
186	15.5	0	0	0	0	4
190.5	15.875	1	0	0	0	4
196.5	16.375	0	1	0	0	4
205.5	17.125	0	1	1	5	0
207	17.25	0	0	0	6	0
211.5	17.625	1	0	0	6	0
217.5	18.125	0	1	0	6	0
229.5	19.125	0	0	1	6	0
232.5	19.375	0	0	0	0	5
237	19.75	1	0	0	0	5
241.5	20.125	0	0	0	7	0
246	20.5	1	0	0	7	0
252	21	0	1	0	7	0
264	22	0	0	1	7	0
276	23	0	0	0	8	0
279	23.25	0	0	0	0	6
280.5	23.375	1	0	0	8	0
283.5	23.625	1	0	0	0	6
289.5	24.125	0	1	0	0	6
301.5	25.125	0	0	1	0	6
310.5	25.875	0	0	0	9	0
315	26.5	1	0	0	9	0
325.5	27.125	0	0	0	0	7
330	27.5	1	0	0	0	7
336	28	0	1	0	0	7
345	28.75	0	0	0	10	0
349.5	29.125	1	0	0	10	0
372	31	0	0	0	0	8
376.5	31.375	1	0	0	0	8
379.5	31.625	0	0	0	11	0
418.5	34.875	0	0	0	0	9
423	35.25	1	0	0	0	9
465	38.75	0	0	0	0	10

Model	Effective Length
SV8L6	4-1/2"
SV8L12	10-1/2"
SV8L24	22-1/2"
SV8L36	34-1/2"
SV8L48	46-1/2"

Table 8—Effective Vent Length

Vertical (Offset) Installation

Analyze the vent routing and determine the quantities of vent sections and number of elbows required. Refer to **Vertical Vent Figures and Tables on Page 16** to select the type of vertical installation desired. Vent sections are available in net lengths of 4-1/2" (114 mm), 10-1/2" (267 mm), 22-1/2" (572 mm), 34-1/2" (876 mm) and 46-1/2" (1181 mm). Refer to the **Vent Section Length Chart on Page 13** for an aid in selecting length combinations. Elbows are available in 90° and 45° configurations. Refer to **Figure 20 on Page 15** for the SV8 E45 and SV8 E90 elbow dimensional specifications.

Where required, a **telescopic vent section (SV8LA)** may be used to provide the installer with an option in installing in tight and confined spaces or where the vent run made up of fixed length pieces develops a joint in a undesirable location, or will not build up to the required length. The SV8LA Telescopic Vent Section has an effective length of from 1-1/2" (38 mm) to 6-3/4" (171 mm). The SV8LA is fitted with a dimpled end (identical to a normal vent section component) and a plain end with 3 pilot holes. Slip the dimpled end over the locking channel end of a standard SV8 vent component the required distance and secure with three screws.

Maintain a minimum 1" (25 mm) clearance to combustible materials for all vertical elements. Clearances for all horizontal elements are 3" (76 mm) on top, 1" (25 mm) on sides and 1" (25 mm) on the bottom.

A. Frame ceiling opening—Use a plumb line from the ceiling above the appliance to locate center of the vertical run. Cut and/or frame an opening, 13" x 13" (330 mm x 330 mm) inside dimensions, about this center mark (**Figure 16**).

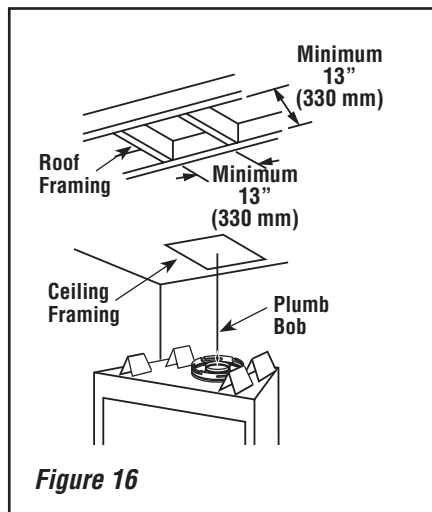


Figure 16

B. Attach vent components to appliance—Secure Vent® SV8 direct-vent system components are unitized concentric pipe components featuring positive twist lock connections (see **Figure 17**).

All of the appliances covered in this document are fitted with collars having locking inclined channels. The dimpled end of the vent components fit over the appliance collar to create the positive twist lock connection.

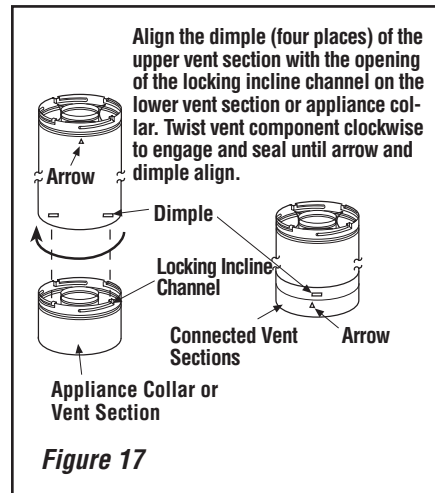


Figure 17

To attach a vent component to the appliance collar, align the dimpled end over the collar, adjusting the radial alignment until the four locking dimples are aligned with the inlet of the four inclined channels on the collar (refer to **Figure 17**). Push the vent component against the collar until it fully engages, then twist the component clockwise, running the dimples down and along the incline channels until they seat at the end of the channels. The unitized design of the **Secure Vent** components will engage and seal both the inner and outer pipe without the need for sealant or screws. If desired a #6 x 1/2" screw may be used at the joint, but it is not required as the pipe will securely lock when twisted.

C. Attach vent components to each other—Other vent sections may be added to the previously installed section in accordance with the requirements of the vertical vent figures and tables. To add another vent component to a length of vent run, align the dimpled end over the inclined channel end of the previously installed section, adjusting the radial alignment until the four locking dimples are aligned with the inlets of the four incline channels of the previous section.

Push the vent component against the previous section until it fully engages, then twist the component clockwise running the dimples down and along the incline channels until they seat at the end of the channels. **This seating position is indicated by the alignment of the arrow and dimple as shown in Figure 17.**

D. Install firestop/spacer at ceiling—When using Secure Vent, use SV8BF firestop/spacer at ceiling joists. If there is living space above the ceiling level, the firestop/spacer must be installed on the bottom side of the ceiling. If attic space is above the ceiling, the firestop/spacer must be installed on the top side of the joist.

Route the vent sections through the framed opening and secure the firestop/spacer with 8d nails or other appropriate fasteners at each corner. **Remember to maintain 1" (25 mm) clearance to combustibles, framing members, and attic or ceiling insulation when running vertical chimney sections. Attic insulation shield (H3908) may be used to obtain the required clearances indicated here. See installation accessories on Page 30.** The gap between the vent pipe and a vertical firestop can be sealed with non-combustible caulking.

E. Support the vertical vent run sections—

NOTE: Proper venting support is very important. The weight of the vent must not be supported by the fireplace in any degree.

Support the vertical portion of the venting system every 8 feet (2.4 m) above the fireplace vent outlet.

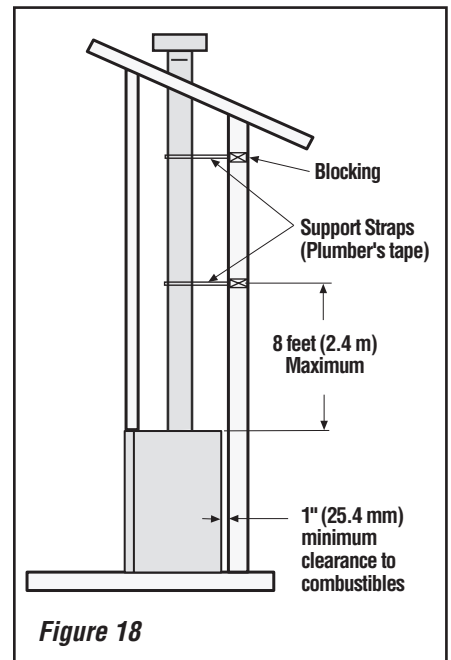
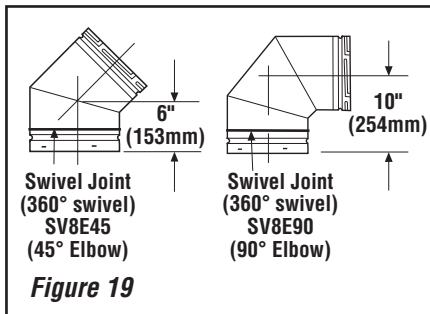


Figure 18

One method of support is by utilizing field provided support straps (conventional plumber's tape). Secure the plumber's tape to the framing members with nails or screws. Strap the tape around the vent, securing the ends of the tape to the framing. If desired, sheet metal screws #6 x 1/2" length may be used to secure the support straps to the vent pipe. See **Figure 18 on Page 14**.

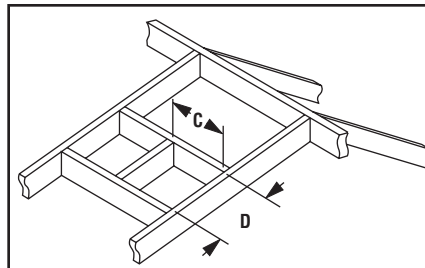
F. Change vent direction to horizontal/inclined run—At transition from or to a horizontal/inclined run, install the SV8 E45 and SV8 E90 elbows in the same manner as the straight vent sections. The elbows feature a twist section to allow them to be routed about the center axis of their initial collar section to align with the required direction of the next vent run element. **Twist elbow sections in a clockwise direction only so as to avoid the possibility of unlocking any of the previously connected vent sections.** See **Figure 17 on Page 14** and **Figure 19**.



G. Continue installation of horizontal/inclined sections—Continue with the installation of the straight vent sections in horizontal/inclined run as described in **Step C**. Install support straps every 3 ft (914 mm) along horizontal/inclined vent runs using conventional plumber's tape. **See Page 17, Figure 26. It is very important that the horizontal/inclined run be maintained in a straight (no dips), slightly elevated plane.** The recommended incline is approximately 1/4" per foot (20 mm per meter) horizontal, in a direction away from the fireplace. The rise per foot run ratios that are smaller are acceptable all the way down to at or near level. Use a carpenter's level to measure from a constant surface and adjust the support straps as necessary.

It is important to maintain the required clearances to combustibles: 1" (25 mm) at all sides for all vertical runs; and 3" (76 mm) at the top, 1" (25 mm) at sides, and 1" (25 mm) at the bottom for all horizontal/inclined runs.

H. Frame roof opening—Identify location for vent at the roof. Cut and/or frame opening per Roof Framing Chart (**Figure 20**).

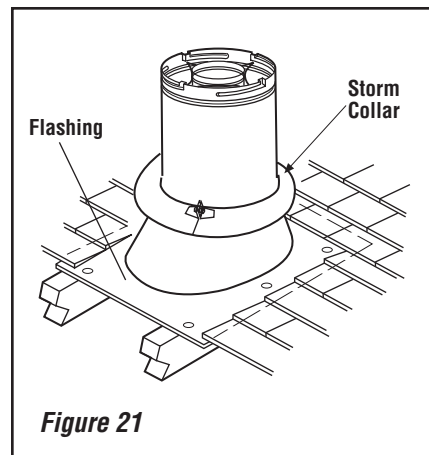


Framing Dimensions for Roof Inches (millimeters)		
Pitch	C	D
0/12	13" (330 mm)	13" (330 mm)
6/12	13" (330 mm)	15-1/2" (394 mm)
12/12	13" (330 mm)	20-1/2" (541 mm)

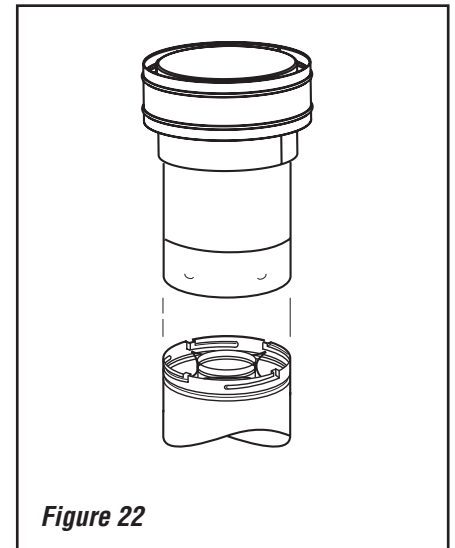
Figure 20—Roof Framing

I. Install the roof flashing—Extend the vent sections through the roof structure. Install the roof flashing over the vent section and position such that the vent column rises vertically (use carpenter's level) (**Figure 21**). Nail along perimeter to secure flashing or adjust roofing to overlap the flashing edges at top and sides only and trim where necessary. Seal the top and both sides of the flashing with waterproof caulking.

J. Install the storm collar—Install the storm collar, supplied with the flashing, over the vent/flashing joint (see **Figure 21**). Loosen the storm collar screw. Slide collar down until it meets the top of the flashing. Tighten the adjusting screw. Apply non-combustible caulking or mastic around the circumference of the joint to provide a water tight seal.



K. Install the vertical termination—The final step involves installation of the Vertical Termination. Extend the vent sections to the height as shown in the "Vertical vent termination section" on **Page 6**. The SV8VTR Vertical Termination (**Figure 22**) can be installed in the exact same fashion as any other **Secure Vent®** section. Align the termination over the end of the previously installed section, adjusting the radial alignment until the four locking dimples of the termination are aligned with the inlets of the four incline channels of the last vent section. Push the termination down until it fully engages, then twist the termination clockwise running the dimples down and along the incline channels until they seat at the end of the channels.

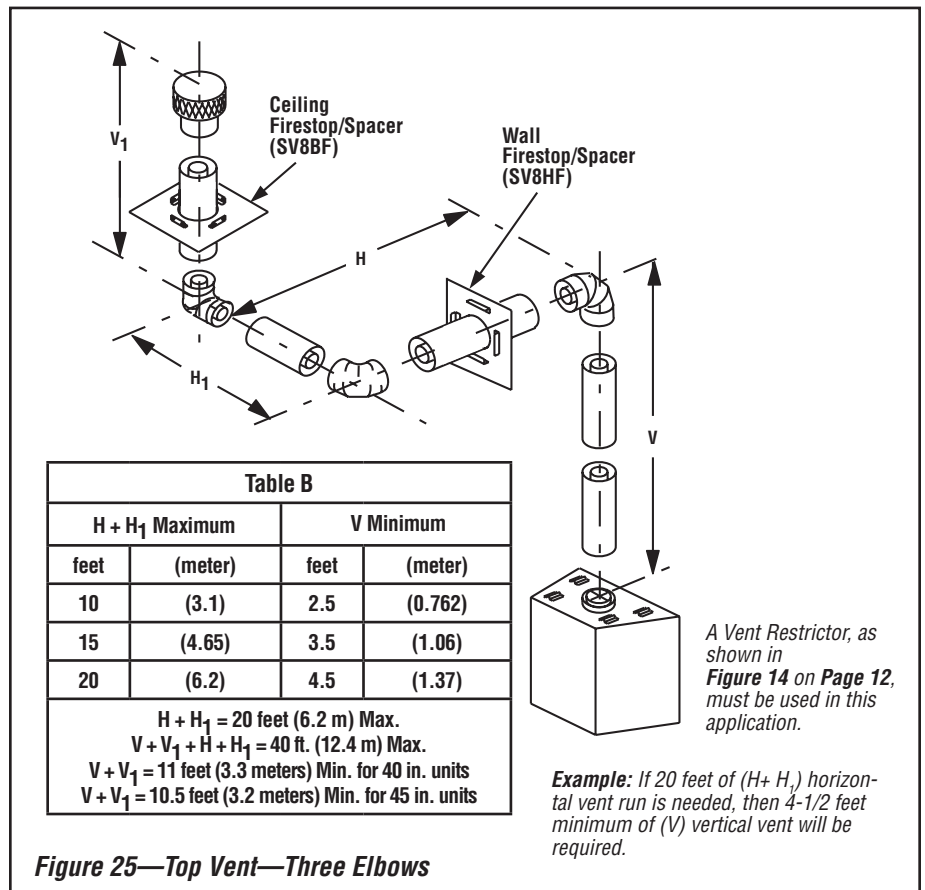
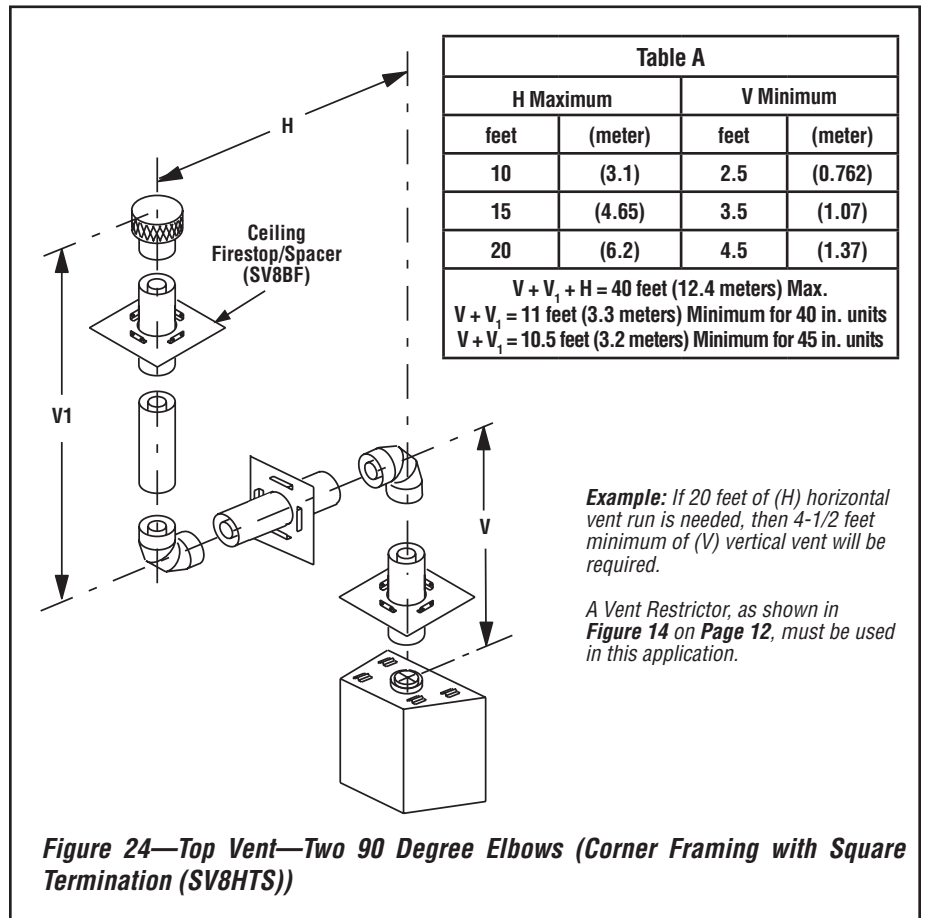
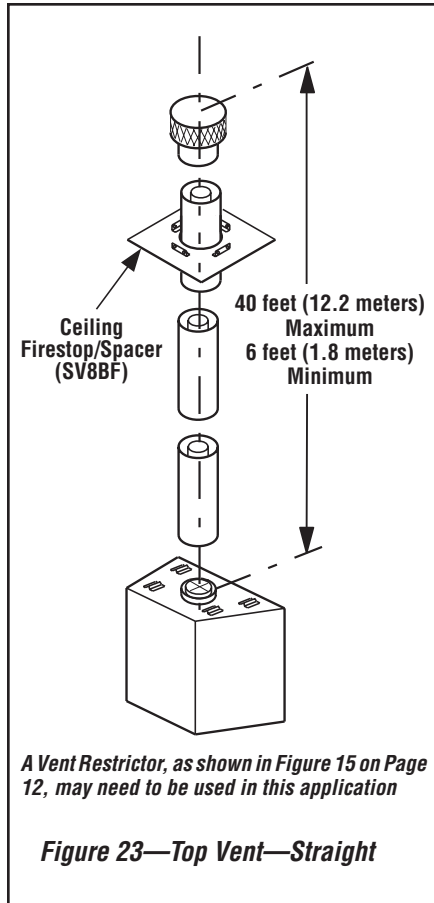


If the vent system extends more than 5 feet (1.5 m) above the roof flashing, stabilizers may be necessary. Additional screws may be used at section joints for added stability. Guide wires may be attached to the joint for additional support on multiple joint configurations.

VERTICAL VENT FIGURES/TABLES

NOTES:

- *Secure Vent® (rigid vent pipe) is shown in the figures.*
- *It is very important that the horizontal/inclined run be maintained in a straight (no dips), slightly elevated plane. The recommended incline is approximately 1/4" per foot (20 mm per meter) horizontal, in a direction away from the fireplace. The rise per foot run ratios that are smaller are acceptable all the way down to at or near level.*
- *SV8BF (Secure Vent) firestop/spacer must be used anytime vent pipe passes through a combustible floor or ceiling. SV8HF (Secure Vent) firestop/spacer must be used anytime vent pipe passes through a combustible wall.*
- *Two 45° elbows may be used in place of one 90° elbow. The same rise to run ratios, as shown in the venting figures for 90° elbows, must be followed if 45° elbows are used.*



HORIZONTAL (OUTSIDE WALL) TERMINATION SYSTEM

See **Figures 26–31** and their associated Horizontal Vent tables that illustrate the various horizontal venting configurations that are possible for use with these appliances. **Secure Vent®** pipe applications are shown in these Figures. A Horizontal Vent table summarizes each system's minimum and maximum vertical and horizontal length values that can be used to design and install the vent components in a variety of applications.

The horizontal vent system terminates through an outside wall. Building Codes limit or prohibit terminating in specific areas. Refer to **Figure 6 on Page 7** for location guidelines.

Secure Vent SV8 direct-vent system components are unitized concentric pipe components featuring positive twist lock connection, (refer to **Figure 17 on Page 14**). All of the appliances covered in this document are fitted with collars having locking inclined channels. The dimpled end of the vent components fit over the appliance collar to create the positive twist lock connection.

A. Plan the vent run.

Analyze the vent routing and determine the types and quantities of sections required 4-1/2" (114 mm), 10-1/2" (267 mm), 22-1/2" (572 mm), 34-1/2" (876 mm) and 46-1/2" (1181 mm) net section lengths are available. It is recommended that you plan the venting so that a joint does not occur in the ceiling or roof joists. Allow for elbows as indicated in **Figure 20 on Page 15**.

Maintain a minimum 1" (25 mm) clearance to combustibles on the vertical sections. Clearances for the horizontal runs are; 3" (76 mm) on top, 1" (25 mm) on sides, and 1" (25 mm) at the bottom.

B. Frame exterior wall opening—Locate the center of the vent outlet on the exterior wall according to the dimensions shown in **Figure 11 on Page 10**. Cut and/or frame an opening, 15" x 13" (381 mm x 330 mm) inside dimensions, with 9" above center and 7" below center.

C. Frame ceiling opening—If the vertical route is to penetrate a ceiling, use plumb line to locate the center above the appliance. Cut and/or frame an opening, 13" x 13" (330 mm x 330 mm) inside dimensions, about this center (refer to **Figure 17 on Page 14**).

D. Attach vent components to appliance—To attach a vent component to the appliance collar, align the dimpled end over the collar, adjusting the radial alignment until the four locking dimples are aligned with the inlets of the four incline channels on the collar (refer to **Figure 16 on Page 14**).

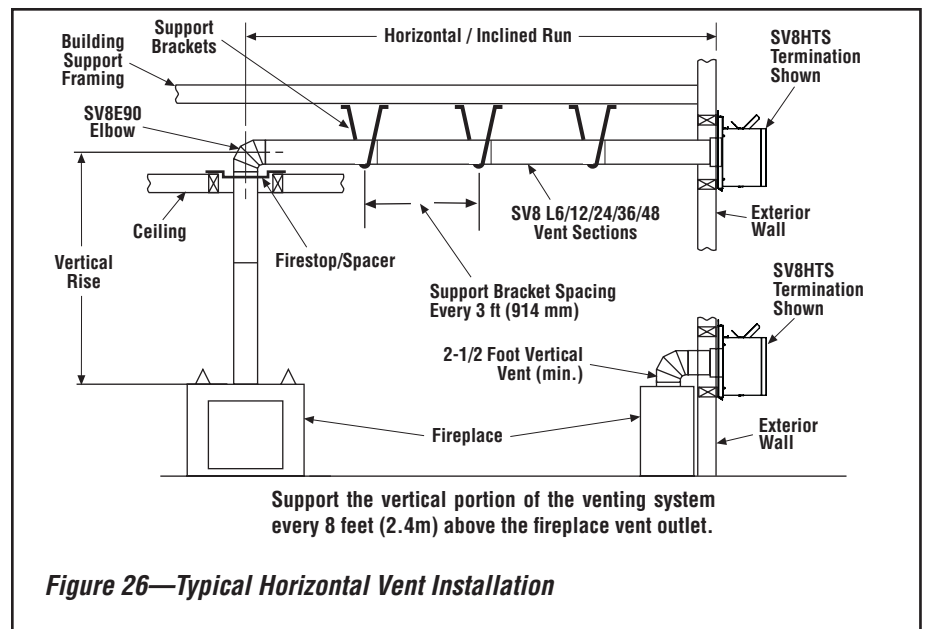


Figure 26—Typical Horizontal Vent Installation

Push the vent component against the collar until it fully engages, then twist the component clockwise, running the dimples down and along the incline channels until they seat at the end of the channels. The unitized design of the **Secure Vent** components will engage and seal both the inner and outer pipe elements with the same procedure. Sealant and securing screws are not required.

E. Attach vent components to each other—Other vent sections may be added to the previously installed section in accordance with the requirements of the vent tables. To add another vent component to a length of vent run, align the dimpled end of the component over the inclined channel end of the previously installed section, adjusting the radial alignment until the four locking dimples are aligned with the inlets of the four incline channels of the previous section. Push the vent component against the previous section until it fully engages, then twist the component clockwise running the dimples down and along the incline channels until they seat at the end of the channels. **This seating position is indicated by the alignment of the arrow and dimple as shown in Figure 17 on Page 14.**

F. Install firestop/spacer at ceiling—When using **Secure Vent**, use SV8BF firestop/spacer at ceiling joists. If there is living space above the ceiling level, the firestop/ spacer must be installed on the bottom side of the ceiling. If attic space is above the ceiling, the firestop/ spacer must be installed on the top side of the joist. Route the vent sections through the framed opening and secure the firestop/spacer with 8d nails or other appropriate fasteners at each corner.

Remember to maintain 1" (25 mm) clearance to combustibles, framing members, and attic or ceiling insulation when running vertical chimney sections.

G. Support the vertical run sections—See **Step E on Page 14**.

H. Change vent direction—At transition from or to a horizontal/inclined run, install the SV8E45 and SV8E90 elbows in the same manner as the straight vent sections. The elbows feature a twist section to allow them to be routed about the center axis of their initial collar section to align with the required direction of the next vent run element. **Twist elbow sections in a clockwise direction only so as to avoid the possibility of unlocking any of the previously connected vent sections (see Figure 17 on Page 14).**

I. Continue installation of horizontal/inclined sections—Continue with the installation of the straight vent sections in horizontal/inclined run as described in **Step E on Page 14**. Install support straps every 3 feet (1914 mm) along horizontal/inclined vent runs using conventional plumber's tape.

See **Figure 26**, *It is very important that the horizontal/inclined run be maintained in a straight (no dips), slightly elevated plane. The recommended incline is approximately 1/4" per foot (20 mm per meter) horizontal, in a direction away from the fireplace. The rise per foot run ratios that are smaller are acceptable all the way down to at or near level.*

It is important to maintain the required clearances to combustibles: 1" (25 mm) at all sides for all vertical runs; and 3" (76 mm) at the top, 1" (25 mm) at sides, and 1" (25 mm) at the bottom for all horizontal/inclined runs.

Use a carpenter's level to measure from a constant surface and adjust the support straps as necessary.

J. Assemble vent run to exterior wall—If not previously measured, locate the center of the vent at the exterior wall. Prepare an opening as described in **Step B on Page 17**. Assemble the vent system to point where the terminus of the last section is within 5" (127 mm) to 8-1/2" (216 mm) inboard of the exterior surface to which the SV8HTS termination is to be attached, see **Figure 29** and **Table 9 on Page 19**.

If the terminus of the last section is not within this distance, use the **telescopic vent section SV8LA**, as the last vent section. For wall thicknesses greater than that shown in **Figure 28**, refer to **Table 9 on Page 19**. This table lists the additional venting components needed (in addition to the termination and adaptor) for a particular range of wall thicknesses.

K. Attach termination adaptor—Attach the adaptor (adaptor—SV8RCH—provided with the termination) to the vent section or telescoping vent section), or elbow as shown in **Figure 27** in the same manner as any SV vent component (refer to **Step E on Page 17**).

L. Install Firestop/Spacer at exterior wall—When using the square termination, install SV8HF Firestop/Spacer over the opening at the exterior side of the framing, long side up, with the 3" spacer clearance at the top as shown in **Figure 27**, and nail into place.

(The Firestop/Spacer may also be installed over the opening at the interior side of the framing).

M. Install the square termination (SV8HTS)—For the last step, from outside the exterior wall, slide the collars of the termination onto the adaptor (the outer over the outer and the inner inside the inner) until the termination seats against the exterior wall surface to which it will be attached. Orient the housing of the termination with the arrow pointed upwards. Secure the termination to the exterior wall. **The horizontal termination must not be recessed into the exterior wall or siding by more than the 1-1/4" (32 mm) as shown in Figure 28.**

IMPORTANT: The vent termination is hot while in operation and for a period of time following the use of the fireplace. Young children should be carefully supervised when they are in the same area as a hot termination.

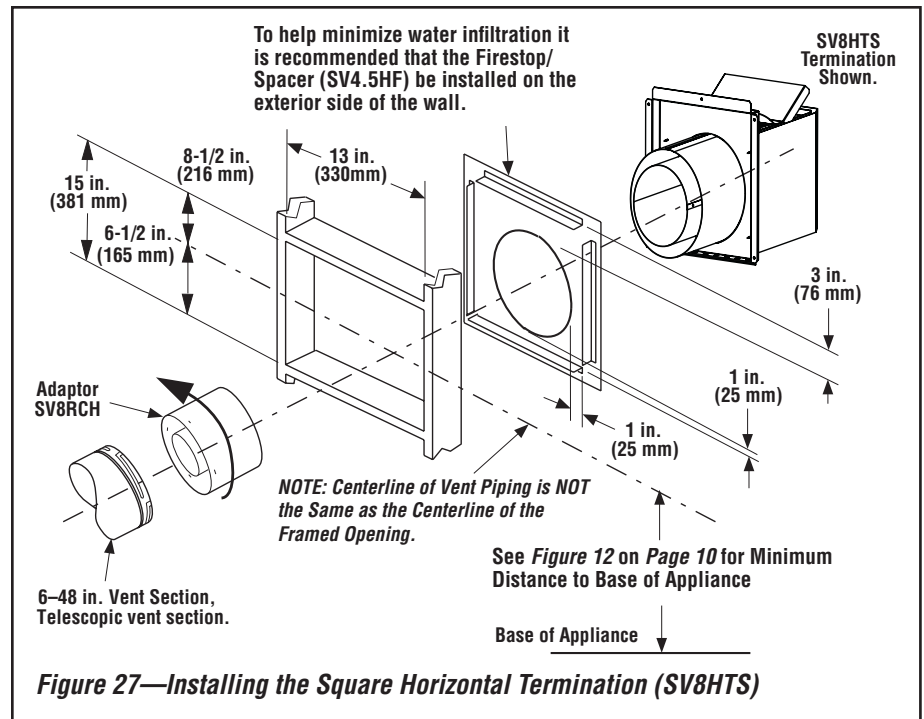


Figure 27—Installing the Square Horizontal Termination (SV8HTS)

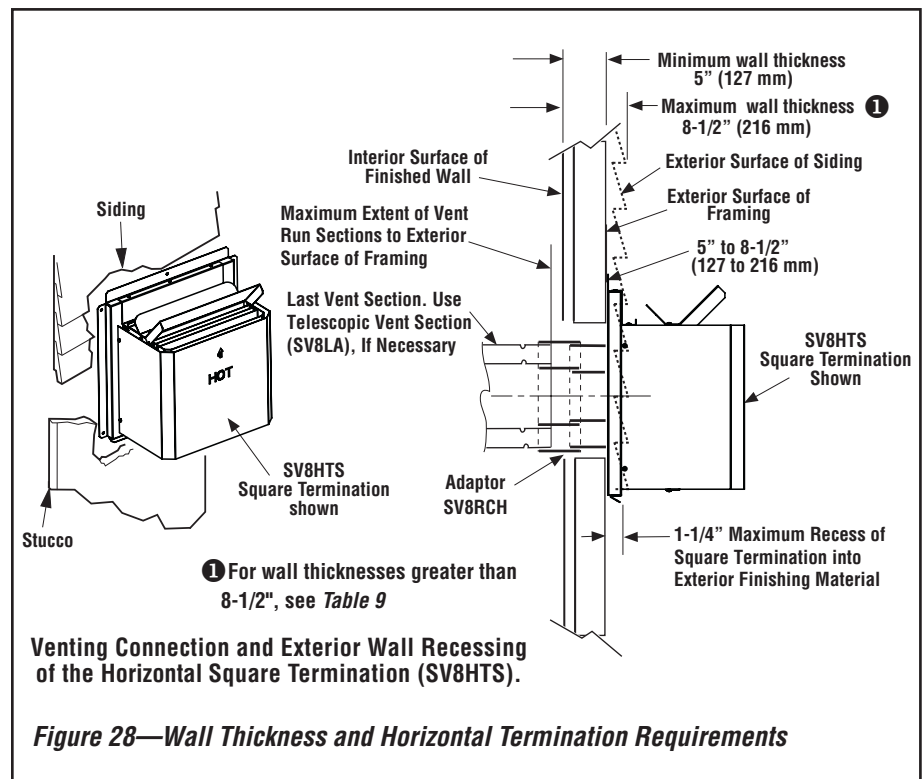


Figure 28—Wall Thickness and Horizontal Termination Requirements

Horizontal terminations have been designed to perform in a wide range of weather conditions. Our terminations meet or exceed industry standards.

When selecting the locations of your horizontal terminations, do not place the termination where water from eaves and adjoining rooflines may create a heavy flow of cascading water onto the termination cap. If the cap must be placed where the possibility of cascading water exists, it is the responsibility of the builder to direct the water away from the termination cap by using gutters or other means.

Take care to carefully follow the installation instructions for the termination, including the use of silicone caulking where required.

See **Table 9** as an aid in venting component selection for a particular range of exterior wall thicknesses.

Venting Components Required for Various Exterior Wall Thicknesses, when using Square Termination Kit (SV8HTS—see Figure 28)	
Vent Components Required	Exterior Wall Thickness—inches (mm)
Termination Kit Only	5 to 8-1/2 (127 to 216)
Termination Kit and 6" Vent Section (SV8L6)	9-3/4 to 14 (248 to 356)
Termination Kit and Telescopic Section (SV8LA)	6-3/4 to 15-1/4 (171 to 387)
Termination Kit and Telescopic Section (SV8LA) and 6" vent section (SV8L6)	11-1/4 to 19-3/4 (286 to 502)

Table 9

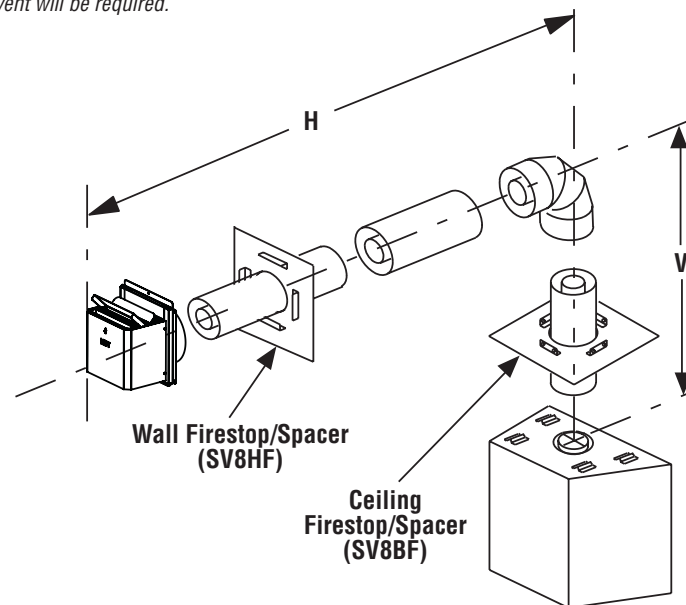
HORIZONTAL VENT FIGURES/TABLES

NOTES:

- **Secure Vent®** components (rigid vent pipe and terminal) are shown in the figures.
- Two 45° elbows may be used in place of one 90° elbow. The same rise to run ratios, as shown in the venting figures for 90° elbows, must be followed if 45° elbows are used.
- SV8BF (Secure Vent) firestop/spacer must be used anytime vent pipe passes through a combustible floor or ceiling. SV8HF (Secure Vent) firestop/spacer must be used anytime vent pipe passes through a combustible wall.
- **It is very important that the horizontal/inclined run be maintained in a straight (no dips), slightly elevated plane. The recommended incline is approximately 1/4" per foot (20 mm per meter) horizontal, in a direction away from the fireplace. The rise per foot run ratios that are smaller are acceptable all the way down to at or near level.**

Table C			
H Maximum		V Minimum	
feet	(meter)	feet	(meter)
3.5	(1.07)	2.5	(0.762)
6.5	(1.98)	3.5	(1.07)
8.5	(2.6)	4.5	(1.37)
10.5	(3.2)	5.5	(1.68)
12.5	(3.8)	6.5	(1.98)
14.5	(4.4)	7.5	(2.3)
16.5	(5.0)	8.5	(2.6)
18.5	(5.6)	9.5	(2.9)
20	(6.0)	10	(3.0)
V + H = 40 feet (12.4 m) Max. H = 20 ft. (6.2 m) Max.			

Example: If 20 feet of (H) horizontal vent run is needed, then 10 feet minimum of (V) vertical vent will be required.

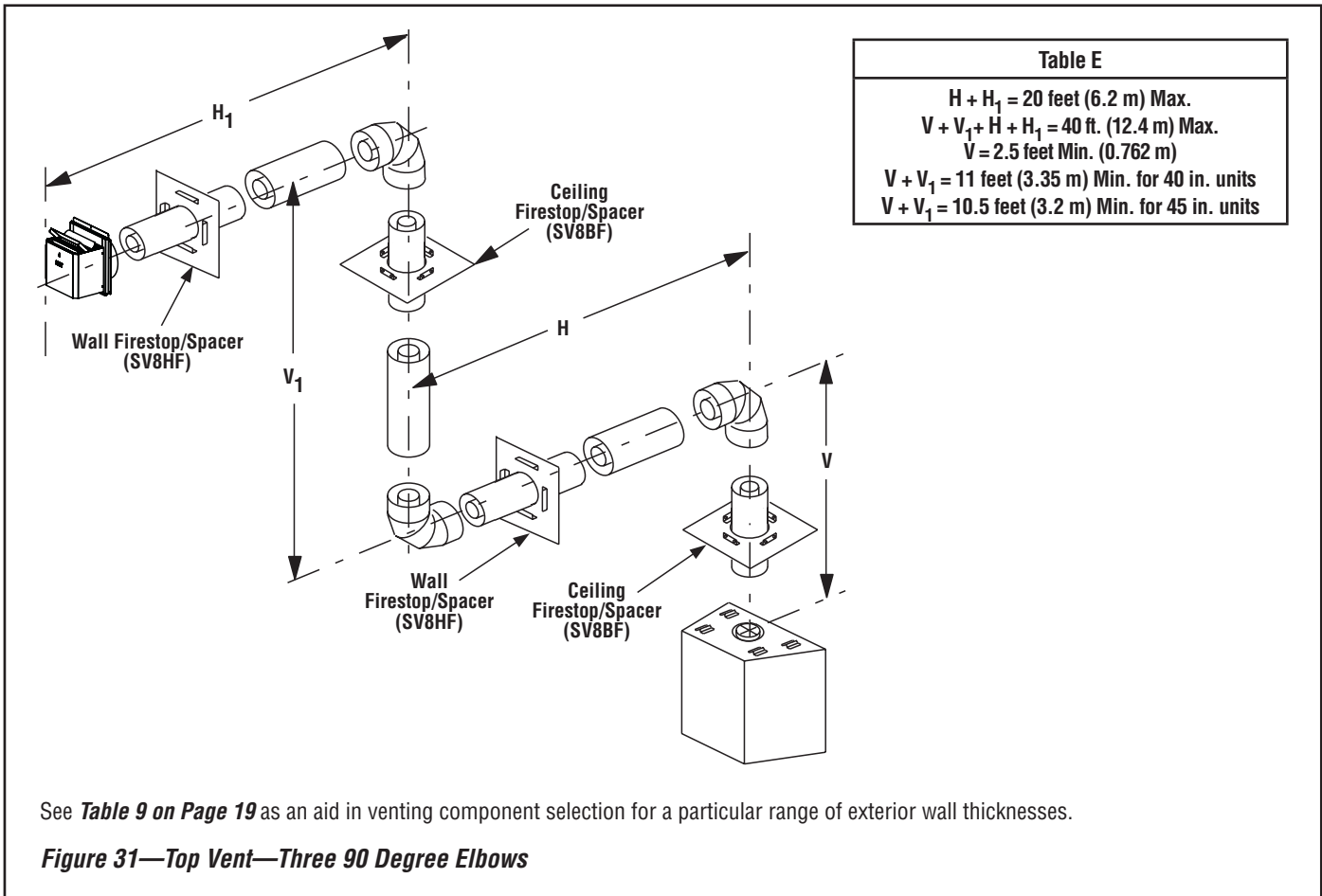
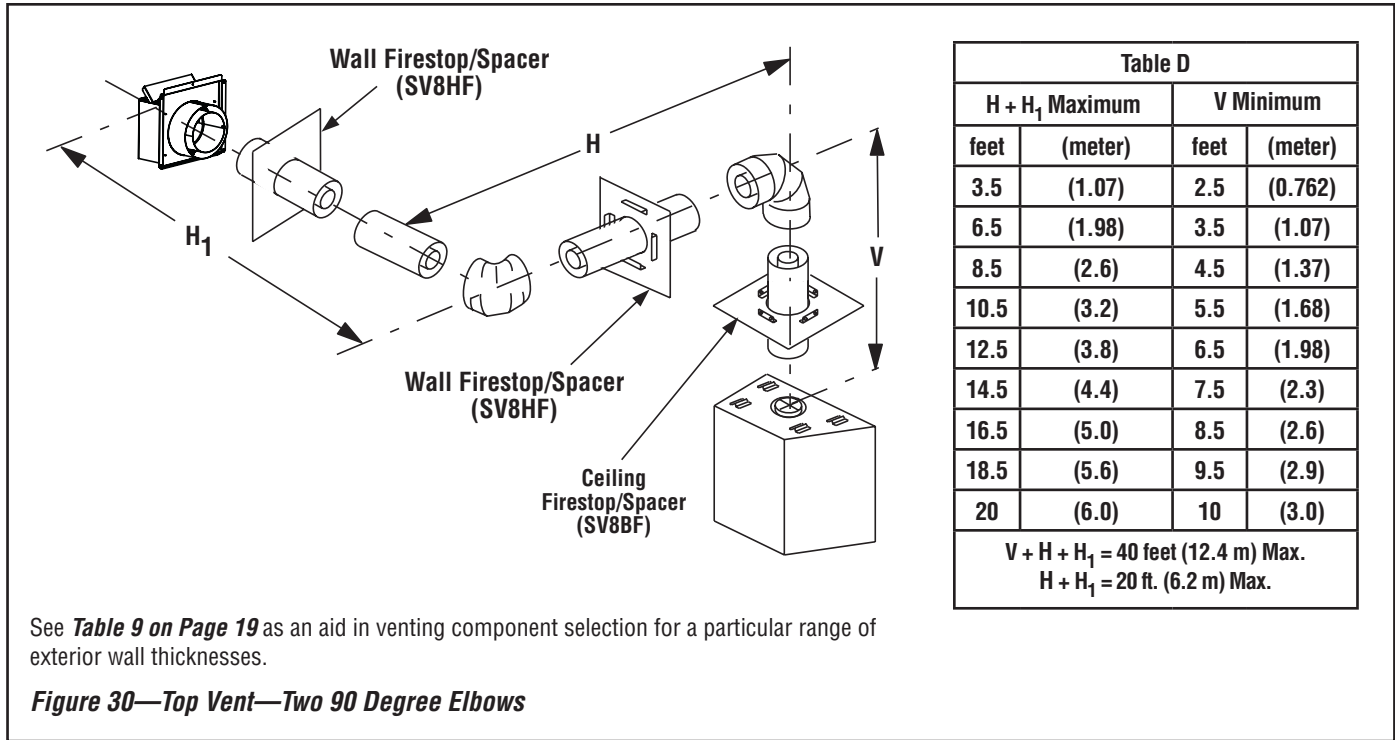


Square termination (SV8HTS) shown.

See **Table 9** as an aid in venting component selection for a particular range of exterior wall thicknesses.

Figure 29—Top Vent—One 90 Degree Elbow (Elbow Connection Not Directly at Appliance)

HORIZONTAL VENT FIGURES/TABLES
(continued)



Step 4. FIELD WIRING

⚠ CAUTION

Ground supply lead must be connected to the wire attached to the green ground screw located on the outlet box. Failure to do so will result in a potential safety hazard. The appliance must be electrically grounded in accordance with local codes or, in the absence of local codes, the National Electrical Code, ANSI/NFPA 70-latest edition. (In Canada, the current CSA C22-1 Canadian Electrical Code).

CAUTION: Label all wires prior to disconnection when servicing controls. Wiring errors can cause improper and dangerous operation.

ATTENTION: Au moment de l'entretien des commandes, étiquetez tous les fils avant de les débrancher. Des erreurs de câblage peuvent entraîner un fonctionnement inadéquat et dangereux.

Verify proper operation after servicing.
S'assurer que l'appareil fonctionne adéquatement une fois l'entretien terminé.

The gas valve is set in place and pre-wired at the factory.

Electronic Wiring

NOTE: The electronic appliance must be connected to the main power supply.

1. Route a 3-wire 120Vac 60Hz 1ph power supply to the appliance junction box.
2. Remove the electrical inlet cover plate from the side of the unit by removing the plate's securing screws (see Figure 11 on Page 10).
3. Remove the cover plate's knockout and then feed the power supply wire through the knockout opening and into the unit junction box.
4. Connect the black power supply wire to the power outlet's red pigtail lead and the white power supply wire to the common terminal of the outlet as shown in Figures 32 and 33.
5. Connect the ground supply wire to the pigtail lead attached to outlet's green ground screw.

6. Install the wall-mounted ON/OFF control, as described in "Installing and initializing the Remote Control System" on Page 22, in a convenient location near the fireplace.
7. After the wiring is complete, replace the cover plate.

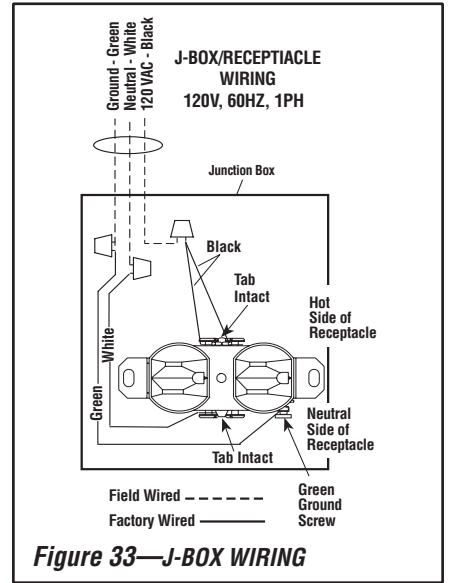


Figure 33—J-BOX WIRING

ELECTRONIC WIRING DIAGRAM

(Schematic representation only)

A wiring diagram is provided here for reference purposes only. This information is also provided on schematics attached directly to the appliance on a pullout panel located within the control compartment.

- COLOR CODE:**
 B = Black
 BB = Brown w/Black Stripe
 BG = Brown w/Green Stripe
 BL = Blue
 BR = Brown
 G = Green
 GY = Gray
 O = Orange
 R = Red
 W = White
 Y = Yellow

Note: On models without pressure switch, these connectors are plugged together.

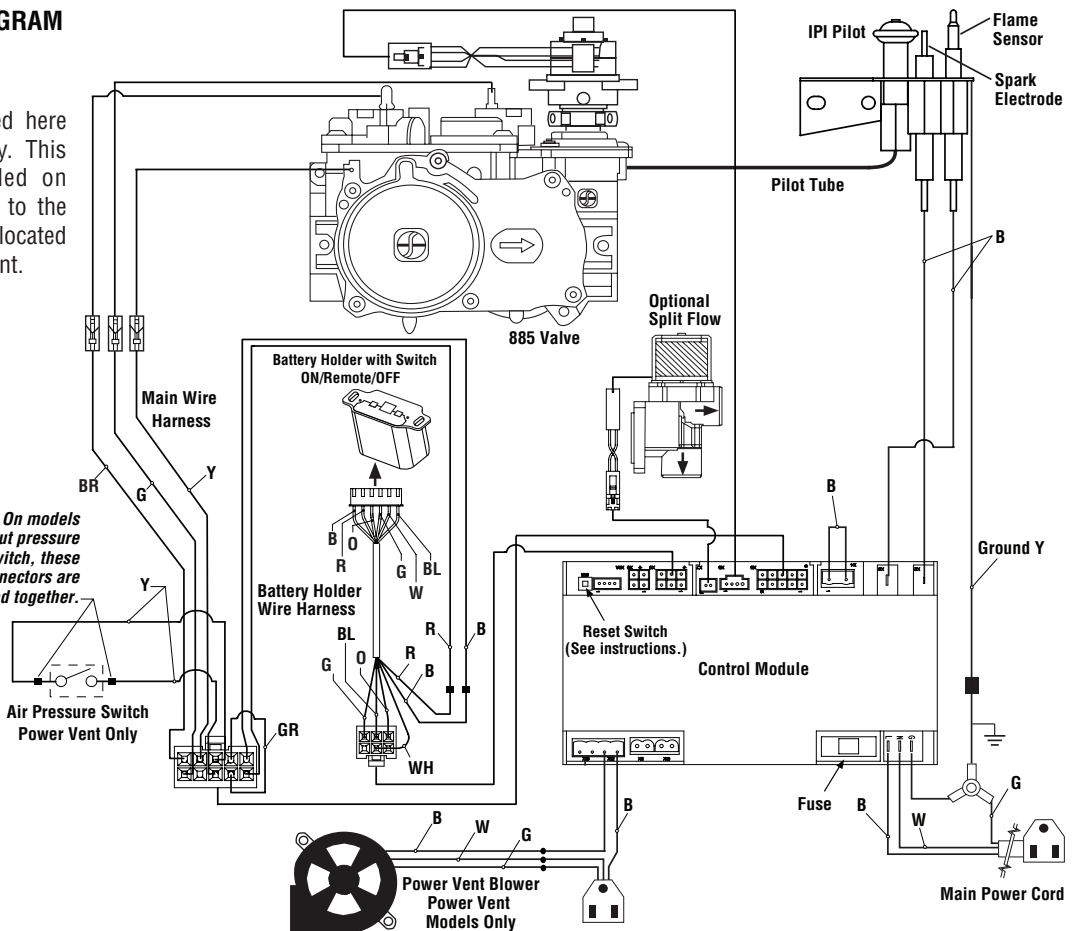


Figure 32

Installing and initializing the Remote Control System

REQUIRED ITEMS (not provided):

- Standard Junction Box
- Paper Clip or similar object (for remote control system initialization)

Installing and Wiring the Receiver (Wall Switch)

The receiver for the Total Comfort Control™ Remote Control System connects directly to the gas valve, stepper motor, and fan control module with an umbilical cord wiring harness.

1. Install a junction box (not provided) on the wall adjacent to the appliance, within reach of the remote system umbilical cord wiring harness. Position the 6-pin terminal within the junction box in preparation for attachment to the remote receiver.
2. When wall finish is complete, install the receiver in the previously installed junction box, and connect the 6-pin terminal to the 6-pin connector on the back of the receiver.
3. Install the receiver cover plate, taking care to ensure the receiver switch is properly indexed with the switch cover when aligning the components for attachments.

Initializing the Remote Control System

After completing fireplace installation, initialize the remote control system before operating the fireplace.

4. Insert the three (3) provided AAA batteries into the battery bay in the transmitter, taking care to correctly align polarity (+/-).
5. Insert the four (4) provided AA batteries into the receiver battery bay (behind the wall switch plate), taking care to correctly align polarity (+/-).
6. On the receiver, place the three-position slider switch in the REMOTE position (*Figure 34*).
7. On the receiver front cover, insert the end of a paper clip (or other similar object; not provided) into the hole marked "PRG."

The receiver will "beep" three times to indicate it is ready to synchronize with the transmitter.
8. On the transmitter, press the ON button. The receiver will "beep" four times to indicate acceptance of the transmitter's command (and set the receiver to the transmitter's specific code). The system is now initialized.

The remote control system provides remote operation of the following fireplace functions:

- Primary burner ON/OFF
- Flame height and heat output adjustment (six levels)

The receiver accepts commands via radio frequency from the transmitter and does not require line-of-sight operation.

The slider switch on the receiver can be set to one of three positions:

- ON (manual override)
- OFF (manual override)
- REMOTE (remote control)

See the fireplace Care and Operation Instructions for detailed instructions on using the remote control system to operate the fireplace.

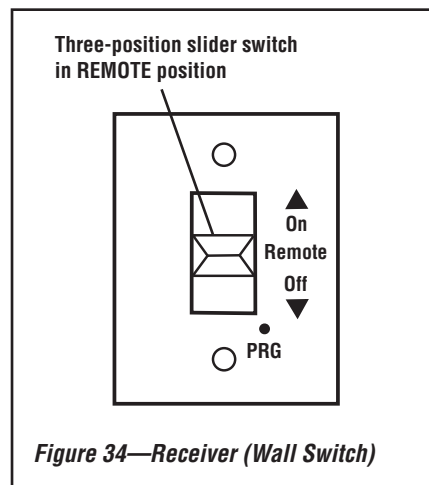


Figure 34—Receiver (Wall Switch)

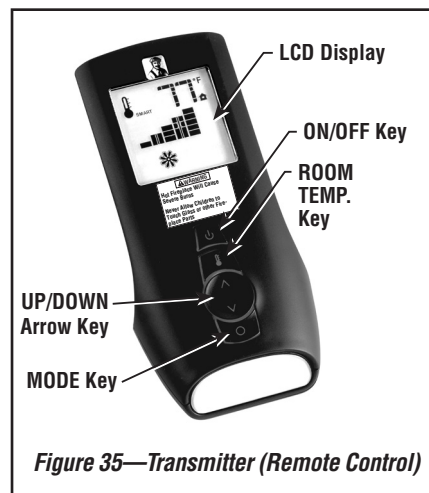


Figure 35—Transmitter (Remote Control)

! WARNING

Fire hazard. Can cause severe injury or death. The receiver causes ignition of the appliance. The appliance can turn on suddenly. Keep away from the appliance burner when operating the remote system or activating manual bypass of the remote system.

! CAUTION

Property damage hazard. Excessive heat can cause property damage. The appliance can stay lit for many hours. Turn off the appliance if it is not going to be attended for any length of time. Always place the transmitter where children can not reach it.

Step 5. REMOVE GLASS DOOR FRAME

Remove the glass door assembly. See *Installation and Removal of Glass Door* on *Page 26*.

Step 6. CONNECTING GAS LINE

All codes require a shut-off valve mounted in the supply line. The orientation of the shut-off valve should face the front. *Figure 36* illustrates two methods for connecting the gas supply. A Sediment Trap is recommended to prevent moisture and debris in gas line from damaging the valve.

The flex-line method is acceptable in the U.S.A. where local codes permit, however, Canadian requirements vary depending on locality. Installation must be in compliance with local codes. These appliances are equipped with a gas flex-line for use in connecting the unit to the gas line. See *Figure 36* for flex-line description. The flex-line is rated for both natural and propane gas. A manual shut off valve is also provided with the flex-line.

The gas control valve is located on the right side of the unit.

When using solid gas line connector, access the valve by removing the front door assembly on the valve access side and the access plate (see *Figure 37*).

The electronic control valve has a 3/8" (10 mm) NPT thread gas supply inlet.

Bring the shutoff valve on the end of the flex-line over to the hard pipe and tighten with wrenches from above through the firebox opening.

Secure all joints tightly using appropriate tools and sealing compounds (ensure propane resistant compounds are used in propane applications). It is recommended to seal around the gas line to prevent cold air leakage.

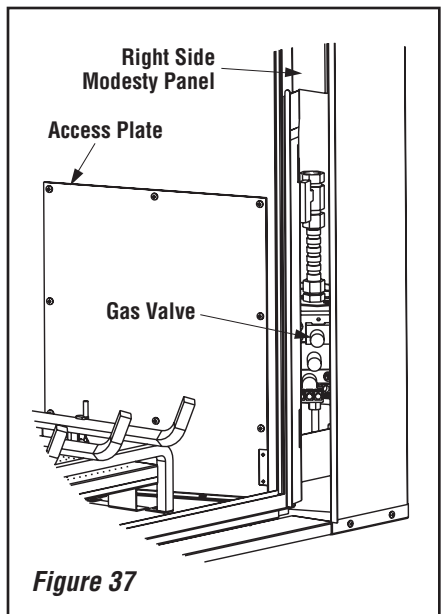


Figure 37

TEST ALL CONNECTIONS FOR GAS LEAKS (FACTORY AND FIELD):

! WARNING
Never use an open flame to check for leaks.

Turn on gas supply and test for gas leaks using a gas leak test solution (also referred to as bubble leak solution).

NOTE: Using a soapy water solution is an effective leak test solution but it is not recommended, because the soap residue that is left on the pipes/fittings can result in corrosion over time.

- A. Light the appliance (refer to the lighting instructions label in the control compartment or in the Care and Operation Instructions manual).
- B. Brush all joints and connections with the gas leak test solution to check for leaks. If bubbles are formed, or gas odor is detected, turn the receiver or remote control to the "OFF" position. Either tighten or refasten the leaking connection, then retest as described above.
- C. When the gas lines are tested and leak-free be sure to rinse off the leak testing solution.
- D. Re-install the access plate, making certain the gasket has not been damaged.

Step 7. CHECKING APPLIANCE OPERATION

Turn on burner then observe the individual tongues of flame on the burner. Make sure all ports are open and producing flame evenly across the burner. If any ports are blocked, or partially blocked, clean out the ports.

With gas line installed run initial system check-out before closing up the front of the unit. Follow the lighting instructions provided in the instruction manual. Subsequent lighting of the appliance will not require such purging. Inspect the pilot flame (remove logs, if necessary, handling carefully).

NOTE: Lighting Instructions are also found on the literature tag tied to the bracket above the gas valve. To access the tag, reach into the right side opening.

When first lighting the appliance, it will take a few minutes for the line to purge itself of air. Once purging is complete, the pilot and burner will light and operate as indicated in the instruction manual. Subsequent lighting of the appliance will not require such purging. Inspect the pilot flame (remove logs, if necessary, handling carefully).

Electronic Appliance Checkout

To light the burner, turn "ON" the optional remote wall switch or turn the appliance mounted ON/OFF switch to the "ON" position. Ensure the igniter lights the pilot. The pilot flame should engulf the flame sensor as shown in *Figure 38*.

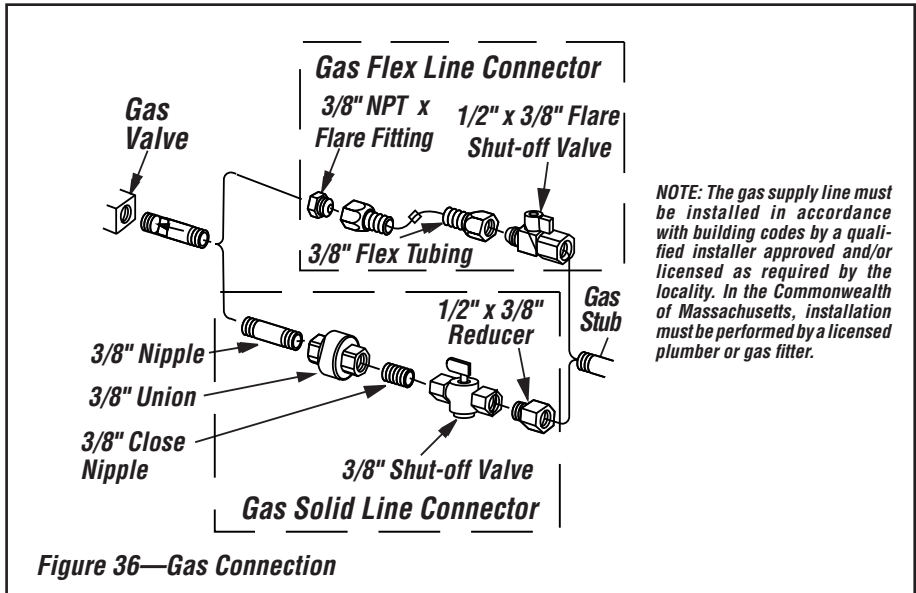


Figure 36—Gas Connection

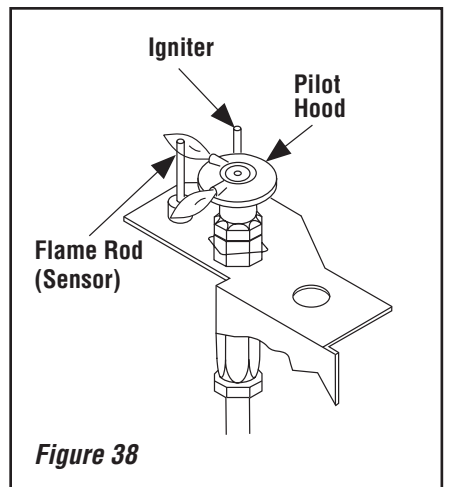


Figure 38

NOTE: DIAGRAMS & ILLUSTRATIONS ARE NOT TO SCALE.

Step 8. INSTALL VOLCANIC STONE, GLOWING EMBERS, AND LOGS (traditional Only), or GLASS MEDIA (Contemporary Only)

NOTE: If installing the Contemporary Burner/Floor Kit, skip this step and instead refer to the instructions provided with the kit.

! WARNING

- **DO NOT** operate this appliance without the required accessories properly installed:
 - floor (log set or contemporary kit), and
 - firebox liner panels (ceramic or porcelain).

! WARNING

- **DO NOT** attempt to install the logs until the appliance installation has been completed, the gas line connected and tested for leaks and the initial burner operation has been checked out.
- The size and position of the log set was engineered to give the appliance a safe, reliable and attractive flame pattern. Any attempt to use a different log set in the fireplace will void the warranty and will result in incomplete combustion, sooting, and poor flame quality.
- Logs get very hot and will remain hot up to one hour after gas supply is turned off. Handle only when logs are cool. Turn off all electricity to the appliance before you install grate, volcanic stone, embers and logs.
- This appliance is not designed to burn wood. Any attempt to do so could cause irreparable damage to the appliance and prove hazardous to your safety.
- If logs are not installed according to the log installation instructions, flame impingement and improper combustion could occur and result in soot and/or excessive production of carbon monoxide (CO), a colorless, odorless, toxic gas.

- Step 1.** Install the ceramic or porcelain firebox liner panels per the instructions provided in kit.
- Step 2.** Place volcanic stone around the burner (the entire bag of volcanic stone will NOT be used). **DO NOT PLACE VOLCANIC STONE ON THE BURNER.** See *Figure 41*.
- Step 3.** Separate the glowing embers (rockwool) into pieces about the size of a quarter (see *Figure 39*). Keep the pieces fluffed, not matted. Distribute these pieces over the burner as shown in *Figure 40*. Do not use more than necessary. When properly positioned, the Glowing Embers will cover approximately 75% of the burner on natural gas. For propane gas, do not place embers on main ports.

NOTE: Excessive use of embers may result in sooting or poor flame. This appliance is provided with enough Glowing Embers for several applications, do not feel compelled to use all that is in a new bag. For best glowing effect, replace the ember material annually. Replacement Glowing Embers are available (Catalog Number 88L53).

Step 4. Position the individual logs as shown in *Figures 42 through 46*. Logs should be placed in the order shown. **Place logs 2 and 3 against the pins on the grate, NOT over them.**

Proper log and twig placement is critical to encourage outstanding flame appearance and prevent sooting. When positioned properly as shown, twigs will be positioned between flame peaks and will not impinge any flames.

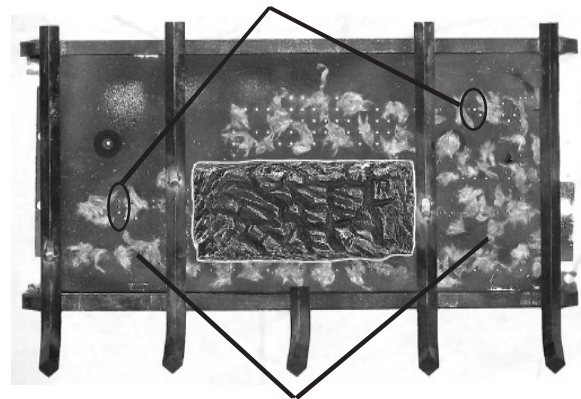
Cat. No.	Model	Description
88L53	FGE	Bag of Glowing Embers
80L42	FDVS	Bag of Volcanic Stone
H8312	PGE	Bag of Platinum Embers

Table 10—Firebox Accessories / Parts



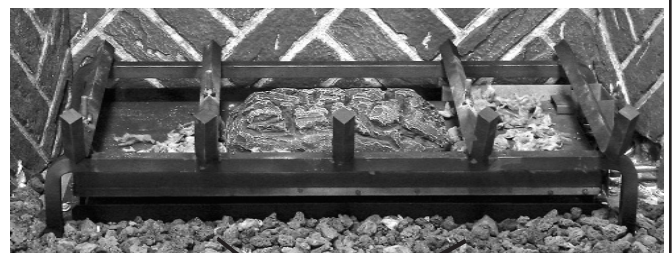
Figure 39

For Propane Gas Only: Do Not Place Embers On Main Ports.



Glowing Embers (Rockwool)

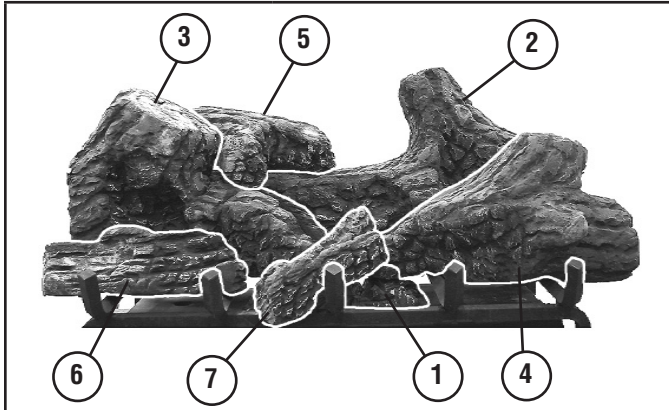
Figure 40



Volcanic Stone

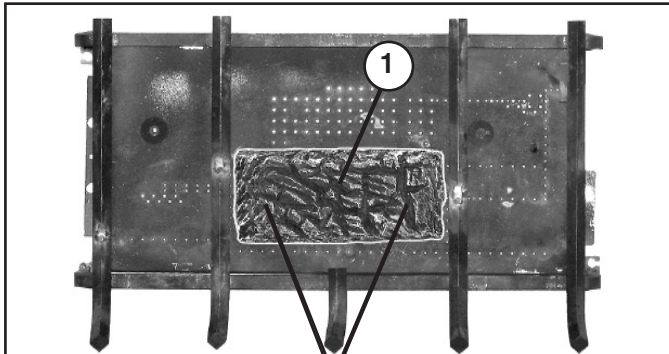
Figure 41

Traditional Only: Log Placement



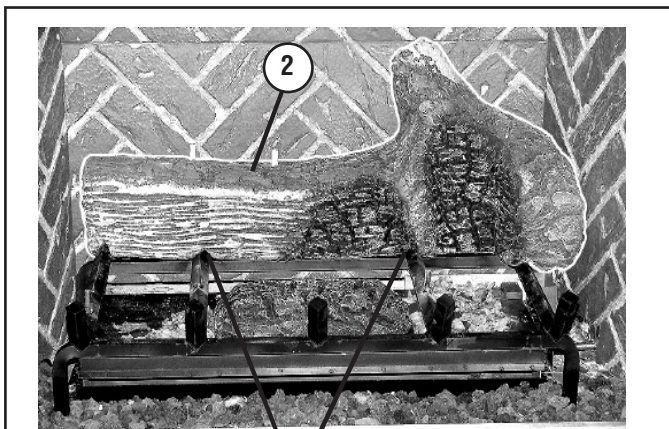
Log Number	Description
1	Log, Center
2	Log, Rear
3	Log, Center/Left
4	Log, Center/Right
5	Log, Rear/Top
6	Log, Front/Left
7	Log, Front/Center

Table 6 - Log Set



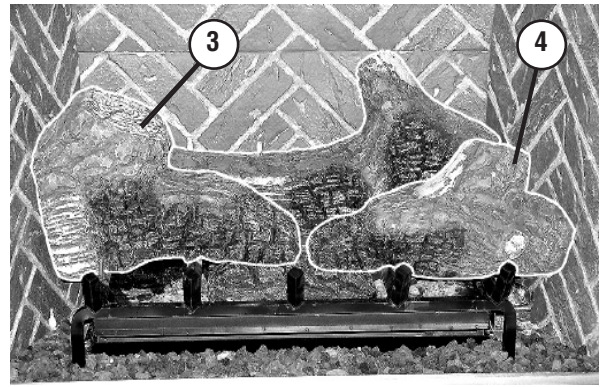
Align Two Holes At Bottom Of Log (1) Over The Pins On The Gas Burner.

Figure 42 - Placing Log 1



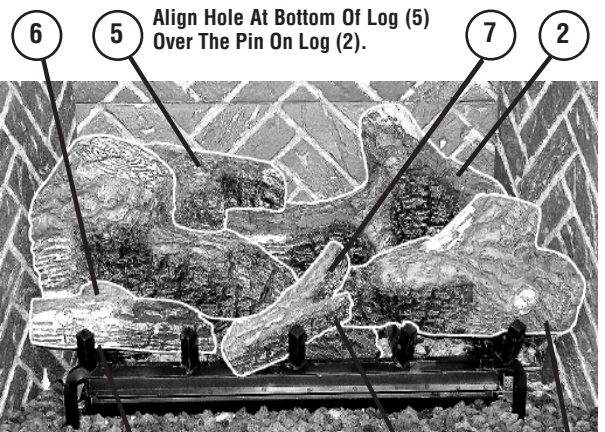
Align Groove At The Bottom Of Log (2) Over The Grate And Push It Towards The Rear.

Figure 43 - Placing Log 2



Engage Logs (3 & 4) With The Grate Pins And Align Grooves At The Bottom Of The Logs Over The Grate.

Figure 44 - Placing Logs 3 and 4



Engage Log (6) With The Grate Pin And Align Groove At The Bottom Of The Log Over The Grate.

Engage Log (7) With The Pin On Log (4).

Figure 45 - Placing Logs 5, 6, and 7

Contemporary Only: Glass Media Placement

1. Spread a thin layer of the media evenly on the burner and media screen.



Figure 46 - Glass media installed

2. On the corner of the right media screen, arrange the media to allow the pilot flame to reach the burner during lighting.

Step 9. INSTALLATION AND REMOVAL OF GLASS DOOR

! WARNING

- When reinstalling the glass door, the door latch screws must be securely tightened to prevent the glass door from falling out, which could potentially cause damage and possible injury.
- Do not attempt to substitute the materials used on this door, or replace cracked or broken glass.
- Handle this glass with extreme care! Glass is susceptible to damage — Do not scratch or handle roughly while reinstalling the glass door frame.
- The glass door of this appliance must only be replaced as a complete unit as provided by the manufacturer. Do not attempt to replace broken, cracked or chipped glass separately.
- Do not attempt to touch the front enclosure glass with your hands while the fireplace is in use.

! WARNING

Do not operate appliance with the glass front removed, cracked or broken.

! AVERTISSEMENT

Ne pas utiliser l'appareil si le panneau frontal en verre n'est pas en place, est craqué ou brisé.

Only doors certified with the appliance shall be used.

Seules des portes certifiées pour cet appareil doivent être utilisées.

WARNING: DO NOT abuse glass door by striking or slamming shut.

Installing Glass Enclosure Panel (see Figure 47)

Retrieve the glass door. Visually inspect the gasket on the backside of the frame. Gasket surface must be clean, free of irregularities and seated firmly.

Position the door in front of the firebox opening with the top of the door held away from the fireplace (Figure 47). Lower the bottom of the door assembly on the bottom door track and set on padded surface. Pivot the door up after engaging and centering in the base channel.

Using a Phillips screwdriver, fasten the door frame to the door latch with the two (2) screws. The latch should pull forward to engage the door frame.

Install the door modesty shield on top flange glass door as follows: grab the door modesty shield with both hands, with the open hem going down and engage it with the upper lip of the glass door frame by pushing it all the way down. Make sure the installed shield is firmly in place.

With the firescreen hanging on the screen rod, insert the right side of the rod into the existing hole on the right modesty panel. Bend down the rod at the center and drop the left end into the slot on the left modesty panel, being careful not to scratch the paint.

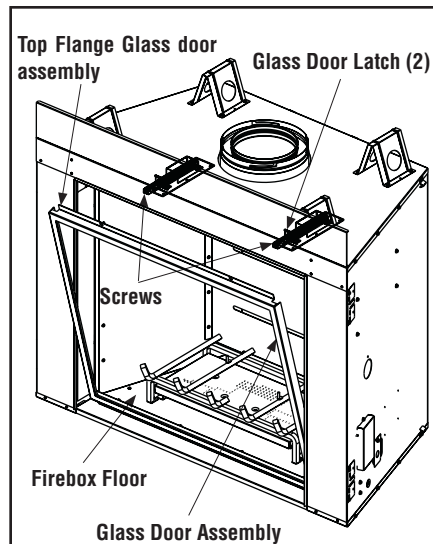


Figure 47—Installing the Glass Door

Step 10. BURNER ADJUSTMENTS

Flame Appearance and sooting

Proper flame appearance is a flame which is blue at the base and becomes yellowish-orange in the body of the flame. When the appliance is first lit, the entire flame may be blue and will gradually turn yellowish-orange during the first 15 minutes of operation. After 15 minutes of operation, if the flame is blue, or if the flame is orange with evidence of sooting (black tip), the air shutter opening may need to be adjusted.

If the air shutter opening is closed too far, sooting may develop. Sooting is indicated by black puffs developing at the tips of very long orange flames. Sooting results in black deposits forming on the logs, appliance inside surfaces and on exterior surfaces adjacent to the vent termination.

Sooting is caused by incomplete combustion in the flames and lack of combustion air entering the air shutter opening. To achieve a warm yellowish-orange flame with an orange body that does not soot, the shutter opening must be adjusted between these two extremes.

Air Shutter Adjustment Guidelines

- If there is smoke or soot present, first check the log set positioning to ensure that the flames are not impinging on any of the logs. If the log set is properly positioned and a sooting condition still exists, then the air shutter opening should be increased.
- The more offsets in the vent system, the larger the air shutter opening will need to be.
- An appliance operated with the air shutter opened too far, may have flames that appear blue and transparent. These weak, blue and transparent flames are termed anemic.
- Propane models may exhibit flames which candle or appear stringy. If this is present and persists, adjust the air shutter to a more closed position, then operate the appliance for a few more minutes to ensure that the flame normalizes and the flames do not appear sooty.

The following chart is provided to aid you in achieving the correct air shutter adjustment for your installation.

Amount of Primary Air	Flame Color	Air Shutter Adjustment
If air shutter is closed too far →	Flame will be orange →	Air shutter gap should be increased
If air shutter is open too far →	Flame will be blue →	Air shutter gap should be decreased

Burner Air Shutter Adjustment Procedure
 **WARNING**

- Air shutter adjustment should only be performed by a qualified professional service technician.
- Ensure that the front glass door assembly is in place and sealed After adjustment.

 **CAUTION**

Soot will be produced if the air shutter is closed too much. Any damage due to carboning resulting from improperly setting the air shutter is not covered under the warranty.

To adjust the flame, rotate the air shutter toward the back or toward the front of the fireplace. Position the air shutter to the factory setting as shown in the table in **Figure 48**. Allow the burner to operate for at least 15 minutes. Observe the flame continuously. If it appears weak or sooty as previously described, adjust the air shutter until the flame appearance is as desired.

Use the remote to adjust the flame height as desired.

Propane models may exhibit a flame pattern that may candle or appear stringy. If this is problematic or persists as the appliance is continually operated, adjust the air shutter closed as described in the previous paragraphs. Operate the appliance for a period of time as the effect diminishes, ensuring that the appliance does not develop sooty flames. When satisfied that the appliance operates properly, proceed to finish the installation.

Main Burner Factory Air Shutter Opening Setting—Inches (millimeter)		
Model	Nat. Gas	Propane Gas
40 in.	1/16 (1.59)	9/32 (7.14)
45 in.	1/16 (1.59)	9/32 (7.14)

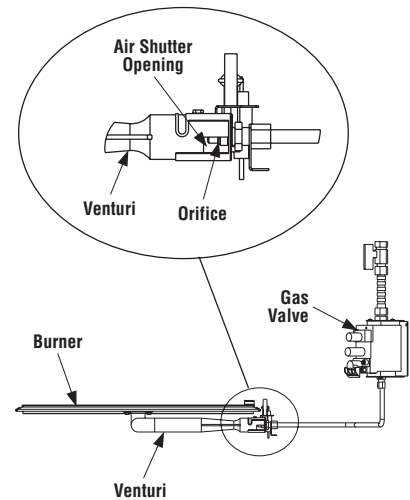


Figure 48



Figure 49—Burner Flame Appearance

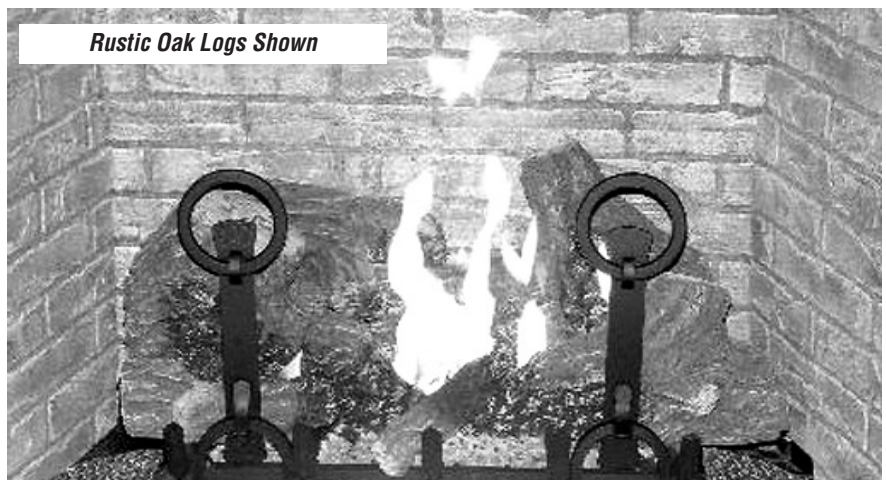
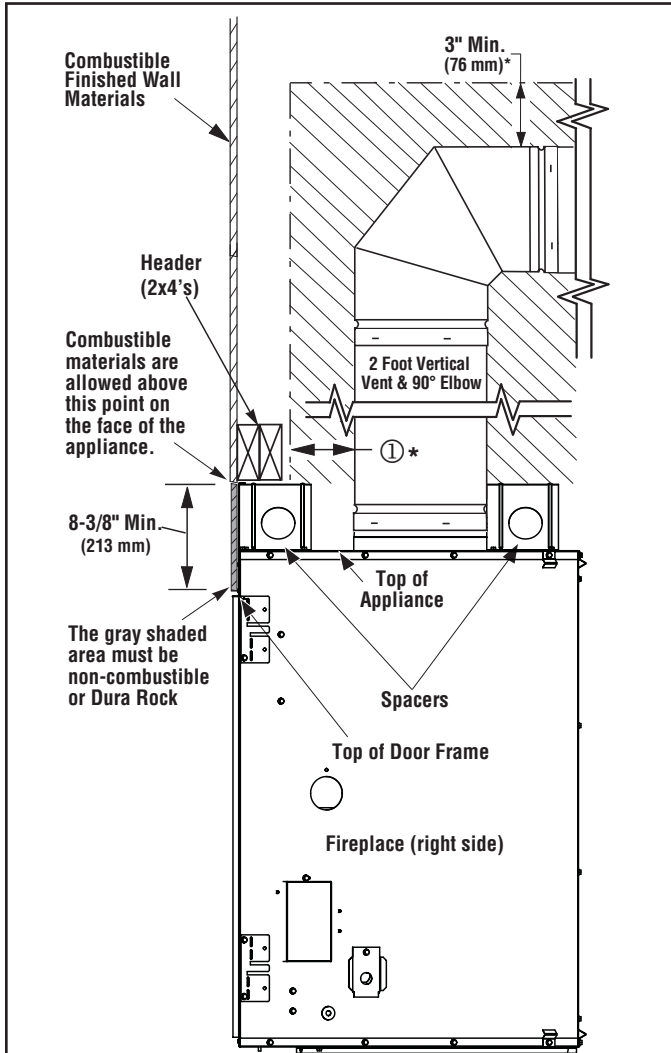


Figure 50—Burner Flame Appearance

FINISHING REQUIREMENTS

Wall Details

Complete finished interior wall. To install the appliance facing flush with the finished wall, position framework to accommodate the thickness of the finished wall (*Figure 51*).



① Installations with horizontal terminations which have minimum vertical vent height only will require 4" (102mm) minimum side clearance as shown in shaded zone above. All other installations require 1" (25mm) minimum side clearance as specified in *Figure 4* on *Page 6*.

* Insulation is NOT ALLOWED in the clearance zones around vent components. Keep this area free from combustible materials.

Figure 51

A hearth extension is not required with this appliance. If a hearth extension is used, there are two methods of installation. One, the finish combustible or non-combustible material could be ended by butting up against the front face of the fireplace and the floor panel (*refer to Figure 52*).

Two, the finish combustible or non-combustible material could be ended below the fireplace (*refer to Figure 53*). Remove the floor panel as shown in *Figure 52* by removing the screws on the right side of the panel and sliding the left side away from the tab. Discard the screws and floor panel. **It is critical that there is at least a 1/8" gap between the bottom of the door track and the surface of the finish material.**

Non-combustible materials, such as surrounds and other appliance trim, may be installed on the appliance front face with the exceptions.

Vertical installation clearances to combustible mantels vary according to the depth of the mantel (see *Figure 8*). Mantels constructed of non-combustible materials may be installed at any height above the appliance opening.

Combustible materials may project beyond the side of the fireplace opening as long as it is kept within the shaded area illustrated in *Figure 9*.

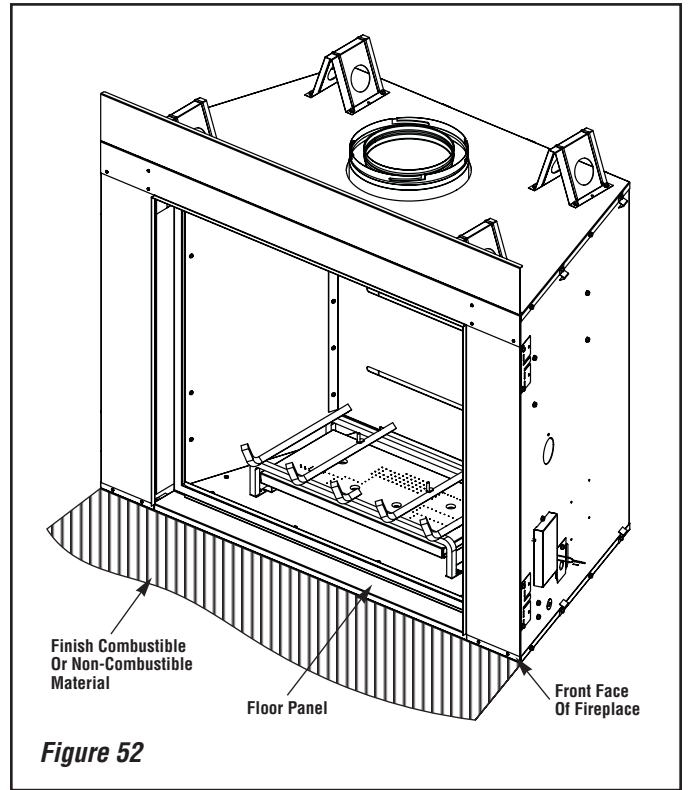


Figure 52

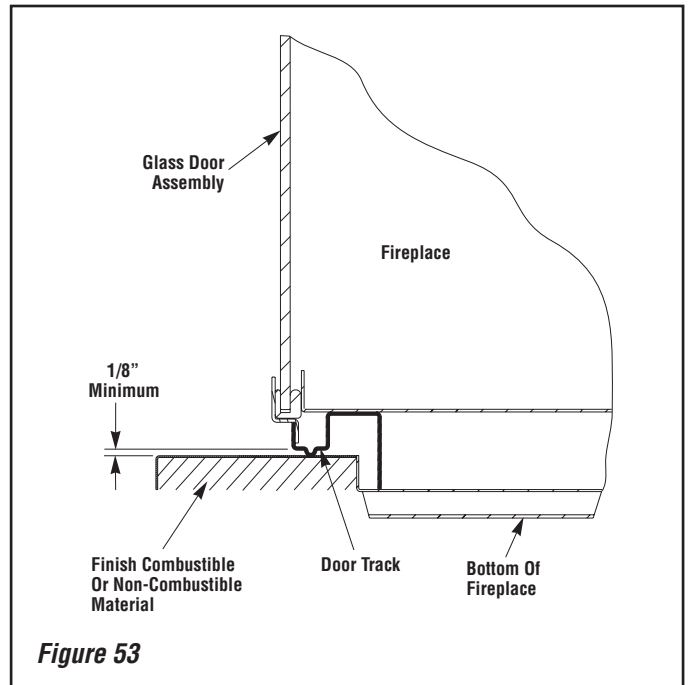


Figure 53

Step 11. INSTALLER INSTRUCTIONS—ATTACHING SAFETY-IN-OPERATION WARNINGS

It is the installers responsibility to ensure these warnings are properly affixed during installation. These warning labels are a critical step in informing consumers of safe operation of this appliance.

ATTACHING SAFETY IN OPERATION WARNINGS

It is required that the set of safety instruction labels that have been furnished with the fireplace be affixed to the operation and control points of the fireplace. A safety instruction label must be affixed to the receiver wall switch plate where the fireplace is turned on and off (See **Figure A**) and on the remote control handheld transmitter (See **Figure B**). To properly complete the installation of this fireplace, locate the multi-lingual adhesive labels provided with the Care and Operation Instructions and proceed as follows:

1. Locate the wall receiver that controls the fireplace (verify the switch operates the fireplace by turning it on and off). Clean the wall receiver plate thoroughly to remove any dust and oils. Affix the label to the surface of the plate of the wall receiver that controls the fireplace (**Figure A**). Choose the language primarily spoken in the home. If unknown, affix the English language label.
2. Locate the remote control transmitter and clean it thoroughly to remove any dust and oils. Affix the label to the surface of handheld transmitter (**Figure B**). Choose the language primarily spoken in the home. If unknown, affix the English language label.
3. If you are unable to locate the labels, please call Innovative Hearth Products or your nearest Innovative Hearth Products dealer to receive additional safety instruction labels free of charge.

Cat. No. H8024 Replacement Label Kit

NOTE: English is red text on clear label. French and Spanish are white text on black label.

APPOSITION DES MISES EN GARDE RELATIVES À LA SÉCURITÉ D'UTILISATION

Il est impératif que le jeu d'étiquettes de sécurité qui ont été fournies avec le foyer soient collées à côté des dispositifs de contrôle du foyer. Une étiquette de sécurité doit être collée sur la plaque du récepteur mural contrôlant l'allumage du foyer (voir **Figure A**) et sur le boîtier de la télécommande (**Figure B**). Pour achever l'installation correcte de ce foyer, procédez comme suit avec les étiquettes adhésives en langues étrangères fournies avec les instructions d'utilisation et d'entretien :

1. Repérez le récepteur mural qui contrôle le foyer (vérifiez que l'interrupteur contrôle le fonctionnement du foyer en le faisant basculer de Marche à Arrêt, et vice-versa). Nettoyez soigneusement la plaque du récepteur mural pour éliminer la poussière et les traces de graisse ou d'huile. Collez l'étiquette sur la surface de la plaque du récepteur mural qui contrôle le foyer (**Figure A**). Choisissez la langue qui est principalement parlée dans la résidence du propriétaire. En cas de doute, collez l'étiquette en anglais.
2. Repérez la télécommande et nettoyez-la soigneusement pour éliminer la poussière et les traces de graisse ou d'huile. Collez l'étiquette sur le boîtier de la télécommande (**Figure B**). Choisissez la langue qui est principalement parlée dans la résidence du propriétaire. En cas de doute, collez l'étiquette en anglais.
3. Si vous ne trouvez pas les étiquettes, veuillez appeler Innovative Hearth Products ou votre distributeur Innovative Hearth Products local pour recevoir gratuitement des étiquettes supplémentaires.

Étiquettes de remplacement, n° cat. H8024

Remarque : Le texte anglais est rouge sur un support transparent. Le texte français et espagnol est blanc sur un support noir.

COLOCACIÓN DE ADVERTENCIAS DE SEGURIDAD EN OPERACIÓN

Se requiere que el juego de etiquetas de instrucciones de seguridad que se incluyeron con la chimenea se coloque en los puntos de operación y control de la misma. Se debe colocar una etiqueta de instrucciones de seguridad en la placa del interruptor de pared del receptor desde el cual se enciende y se apaga la chimenea (ver la **Figura A**) y en el transmisor de control remoto (ver la **Figura B**). Para completar correctamente la instalación de esta chimenea, encuentre las etiquetas adhesivas multilingües incluidas con las instrucciones de cuidado y operación y haga lo siguiente:

1. Identifique el receptor de pared que controla la chimenea (verifique que el interruptor opera la chimenea encendiéndola y apagándola). Limpie bien la placa del receptor de pared para quitar el polvo y aceite. Pegue la etiqueta en la superficie de la placa del receptor de pared que controla la chimenea (**Figura A**). Seleccione el idioma que más se habla en la casa. Si no sabe cuál es, use la etiqueta en inglés.
2. Identifique el transmisor de control remoto y límpielo bien para quitar el polvo y aceite. Pegue la etiqueta en la superficie del transmisor (**Figura B**). Seleccione el idioma que más se habla en la casa. Si no sabe cuál es, use la etiqueta en inglés.
3. Si no puede encontrar las etiquetas, sírvase llamar a Innovative Hearth Products o al distribuidor de Innovative Hearth Products más cercano para recibir etiquetas de instrucciones de seguridad adicionales gratuitas.

Juego de etiquetas de repuesto—Nº de cat. H8024

Nota: La etiqueta en inglés es transparente con texto rojo. Las etiquetas en francés y español son negras con texto blanco.

SAFETY LABEL DIAGRAMS



DIAGRAMMES DES ÉTIQUETTES DE SÉCURITÉ



DIAGRAMAS DE ETIQUETAS DE SEGURIDAD



Illustrations are for example only. Your accessories may be different.

Les illustrations sont par exemple uniquement. Vos accessoires peuvent être différents.

Las ilustraciones son sólo ejemplos. Tu accesorios pueden ser diferentes.

Figure A

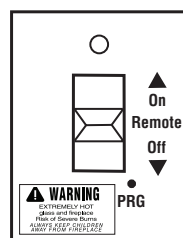


Figure B

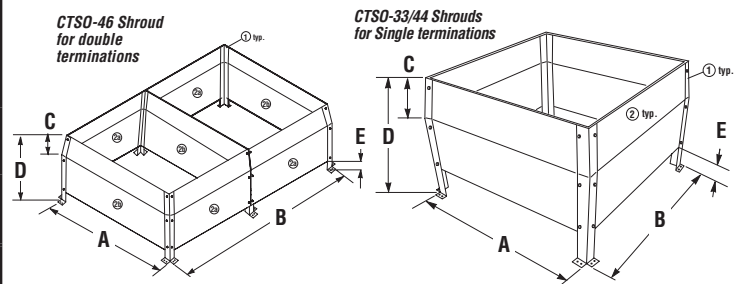


Figure 54

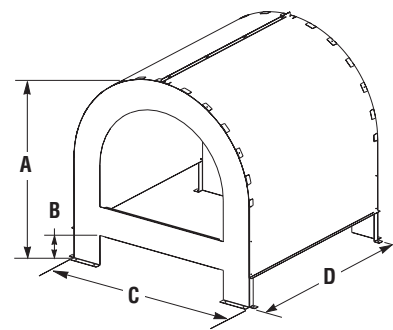
INSTALLATION ACCESSORIES

Listed Secure Vent® Components			
	Cat. No.	Model No.	Description
	H2266	SV8HTS	Horizontal Square Termination with Firestop/Spacer (H2260) and Adaptor (H2267)
	H2265	SV8VTR	Vertical Termination
	H2250	SV8L6	6" (152mm) Vent Section
	H2251	SV8L12	12" (305mm) Vent Section
	H2252	SV8L24	24" (610mm) Vent Section
	H2253	SV8L36	36" (914mm) Vent Section
	H2254	SV8L48	48" (1219mm) Vent Section
	H2255	SV8LA	Telescopic Section
	H2256	SV8E45	45 Degree Elbow
	H2257	SV8E90	90 Degree Elbow
	The following flashings come packaged with a storm collar		
	H3236	SV8F	Flat Roof Flashing
	H2258	SV8FA	1/12 to 7/12 Adjustable Flashing
	H2259	SV8FB	7/12 to 12/12 Adjustable Flashing
	H3237	SV8SC6	Storm Collars, 6 pack
	H2260	SV8HF	Firestop/Spacer—Horizontal (3-1-1 spacing)
	H2261	SV8BF	Firestop/Spacer—Vertical (1-1-1 spacing)

	H2262	SV8SU	Support Strap
	H2263	SV8SP	Support Plate
	H3908	SV8ARSA	Attic Insulation Shield (adjustable 12" to 22")



Open Top Shroud Kits Inches (millimeters)						
Cat. No.	Model	A	B	C	D	*E
H1985	CTSO-33	37-5/8 (955)	37-5/8 (955)	7-1/2 (191)	24-1/2 (622)	3 (76)
H1987	CTSO-44	48-5/8 (1235)	48-5/8 (1235)	7-1/2 (191)	24-1/2 (622)	3 (76)
H1986	CTSO-46	48-5/8 (1235)	73 1/4 (1860)	7-1/2 (191)	24-1/2 (622)	3 (76)



Closed Top Shroud Termination Kits Inches (millimeters)					
Cat. No.	Model	A	B	C	D
H1988	CTSA-33	34 (864)	5 (127)	34 (864)	34 (864)

GAS CONVERSION KITS

! WARNING

This conversion kit shall be installed by a qualified service agency in accordance with the manufacturer's instructions and all applicable codes and requirements of the authority having jurisdiction. If the information in these instruction is not followed exactly, a fire, explosion or production of carbon monoxide may result causing property damage, personal injury or loss of life. The qualified service agency is responsible for the proper installation of this kit. The installation is not proper and complete until the operation of the converted appliance is checked as specified in the manufacturer's instructions supplied with the kit. The qualified service agency performing this installation assumes responsibility for this conversion.

! AVERTISSEMENT

Cette trousse de conversion doit être installée par un technicien agréé, selon les instructions du fabricant et selon toutes les exigences et tous les codes pertinents de l'autorité compétente. Assurez-vous de bien suivre les instructions dans cette notice pour réduire au minimum le risque d'incendie, d'explosion ou la production de monoxyde de carbone pouvant causer des dommages matériels, des blessures ou la mort. Le technicien agréé est responsable de l'installation de cette trousse. L'installation n'est pas adéquate ni complète tant que le bon fonctionnement de l'appareil converti n'a pas été vérifié selon les instructions du fabricant fournies avec la trousse. Le fournisseur de service qualifié ayant réalisé l'installation assume les responsabilités liées à la conversion.

In Canada:

THE CONVERSION SHALL BE CARRIED OUT IN ACCORDANCE WITH THE REQUIREMENTS OF THE PROVINCIAL AUTHORITIES HAVING JURISDICTION AND IN ACCORDANCE WITH THE REQUIREMENTS OF THE CAN/CGA-B149.1 INSTALLATION CODE.

LA CONVERSION DEVRA ÊTRE EFFECTUÉE CONFORMÉMENT AUX RECOMMANDATIONS DES AUTORITÉS PROVINCIALES AYANT JURIDICION ET CONFORMÉMENT AUX EXIGENCES DU CODE D'INSTALLATION CAN/CGA-B149.1.

Gas conversion kits are available to adapt your appliance from the use of one type of gas to the use of another. These kits contain all the necessary components needed to complete the task including labeling that must be affixed to ensure safe operation.

Kit part numbers are listed below, and the following steps detail the conversion procedure.

Natural Gas to Propane Gas Conversion Kits		
Fireplace	Conversion Kit Model No.	Cat. No.
40 in.	GCK-MDLX40NP	H8668
45 in.	GCK-MDLX45NP	H8669

Propane Gas to Natural Gas Conversion Kits		
Fireplace	Conversion Kit Model No.	Conversion Kit Cat. No.
40 in.	GCK-MDLX-40PN	H8670
45 in.	GCK-MDLX-45PN	H8671

Step 1. TURN OFF THE GAS SUPPLY TO THE APPLIANCE and disconnect power supply at the circuit breaker. Ensure appliance is cold.

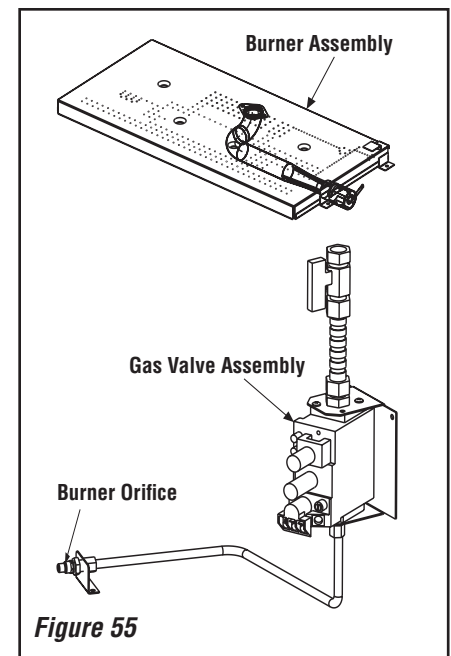
CAUTION: THE GAS SUPPLY SHALL BE SHUT OFF PRIOR TO DISCONNECTING THE ELECTRICAL POWER, BEFORE PROCEEDING WITH THE CONVERSION.

ATTENTION. AVANT D'EFFECTUER LA CONVERSION, COUPEZ D'ABORD L'ALIMENTATION EN GAZ, ENSUITE, COUPEZ L'ALIMENTATION ÉLECTRIQUE.

Step 2. Remove the front glass door/frame and the access plate from the appliance. See *Figures 37 and 47.*

Step 3. Carefully remove the logs and the grate assembly / contemporary media. **Exercise care so as not to break the logs / contemporary media.**

Step 4. Refer to *Figure 55.* Remove the two 5/16" screws securing the burner to the burner brackets. Carefully slide the burner to the left to clear the venturi from the orifice. Set aside the screws and burner assembly in a secure location for later reinstallation.



Step 5. Remove the control compartment access door and gasket by removing the twelve (12) screws securing it, and set it aside for later reinstallation. The gas valve can be accessed through the opening, or the complete assembly can be removed by sliding the assembly to the right.

Step 6. Refer to the instructions provided with the SIT regulator conversion kit. Using a Torx T20 (with 1/4" shank and center hole) or slotted screwdriver, remove and discard the two pressure regulator mounting screws, the pressure regulator tower, and the diaphragm assembly (if applicable). **Properly dispose of all removed components.** Make sure the rubber gasket installed on the back of the replacement pressure regulator is properly positioned.

Step 7. Install the new stepper motor pressure regulator assembly using the supplied screws. Securely tighten the screws (25 in-lbs).

Step 8. Attach the enclosed identification label to the valve body where it can be easily seen.

Step 9. Make stepper motor and valve electrical connections.

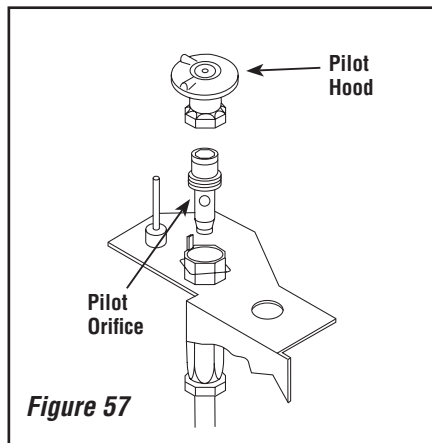
Step 10. Remove the pilot hood assembly to access the hexed pilot orifice. Using a 5/32" al-len wrench, remove and replace the pilot orifice with the one provided with the kit.

NOTE: Use extreme care to avoid damaging the igniter assembly.

Step 11. Refer to **Figure 57** and remove the pilot hood assembly to access the hexed pilot orifice. Remove and replace the orifice with the one provided with the kit.

Step 12. (Refer to **Figure 55 on Page 31 and Figure 58**)

VERIFY THE PROPER ORIFICE SIZE BEFORE INSTALLING IT.



A. Remove the orifice from the manifold and replace it with the one provided in the kit. See the following table for orifice sizes for natural and propane models. **Figure 58** illustrates the orifice. Use pipe joint compound or Teflon tape on all pipe fittings before installing (ensure propane resistant compounds are used in propane applications, do not use pipe joint compounds on flare fittings).

B. Retrieve the burner and slide the venturi tube over the orifice. Set the burner assembly into its position and secure it.

C. Reinstall the grate assembly.

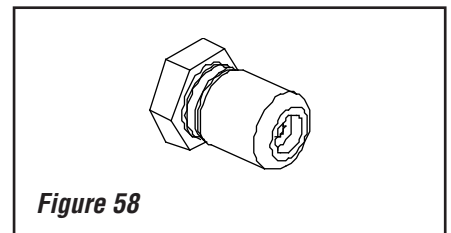
Step 13. Reassemble the remaining components by reversing the procedures outlined in the preceding steps.

Step 14. Attach the conversion label provided in the conversion kit to the rating plate on the appliance.

Step 15. Apply gas to the system and relight appliance. With the main burner "ON", test the new pressure regulator assembly and all gas line joints for leaks using a gas leak test solution. See *Test All Connections For Gas Leaks* on **Page 23**.

Burner Orifice Sizes Elevation 0–4500 ft (0–1372 m)		
Model	Nat. Gas drill size (inches)	Propane drill size (inches)
Traditional	40 in. 0.1405" (#28)* • H2286	0.086" (#44)* • H2287
	45 in. 0.154" (#23)* • H8808	0.093" (#42)* • H4816
Contemp	40 in. 0.0700" (#50)*	0.0700" (#50)*
	45 in. 0.0700" (#50)*	0.0700" (#50)*

Table 11 * Standard size installed at factory
• Part /Cat. Number



Step 16. Relight the main burner and verify proper burner ignition and operation. See *Burner Adjustments* **Pages 26 and 27**.

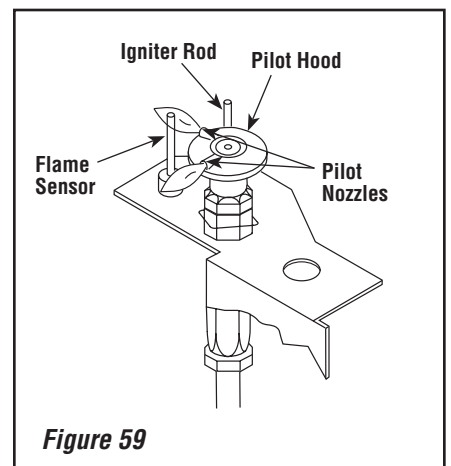
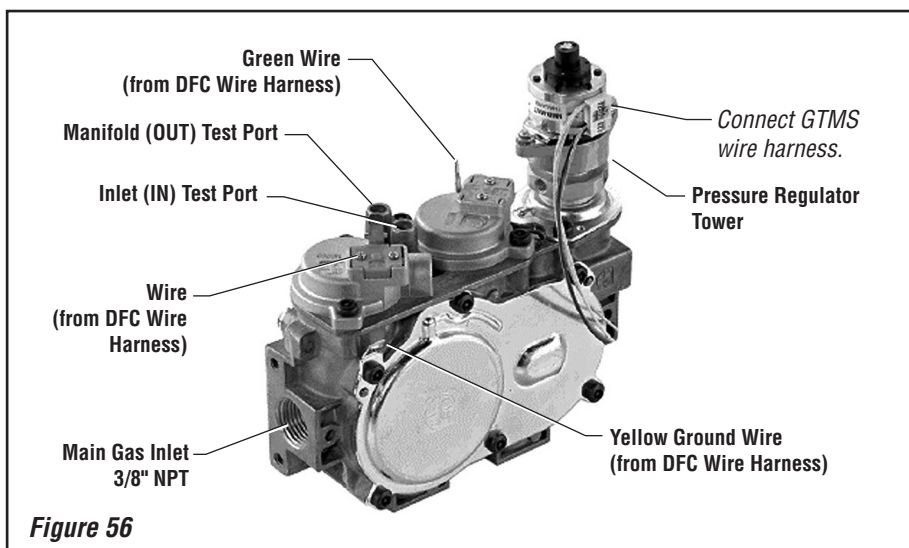
Inspect the pilot system for proper flame. The pilot flame should engulf the flame sensor as shown in **Figure 59**.

The lighting instructions can be found on the lighting label in the control compartment or in the Care and Operation Manual provided with the appliance.

Step 17. Using a manometer, test the inlet and manifold gas pressures. See **Tables 2 and 3** on **Page 4**.

ALWAYS TEST PRESSURES WITH THE VALVE REGULATOR CONTROL AT THE HIGHEST SETTING.

SEE PAGE 26 FOR AIR SHUTTER ADJUSTMENT GUIDELINES.



NOTES

Innovative Hearth Products reserves the right to make changes at any time, without notice, in design, materials, specifications, and prices, and also to discontinue colors, styles, and products. Consult your local distributor for fireplace code information.



Printed in U.S.A. © 2013 Innovative Hearth Products LLC