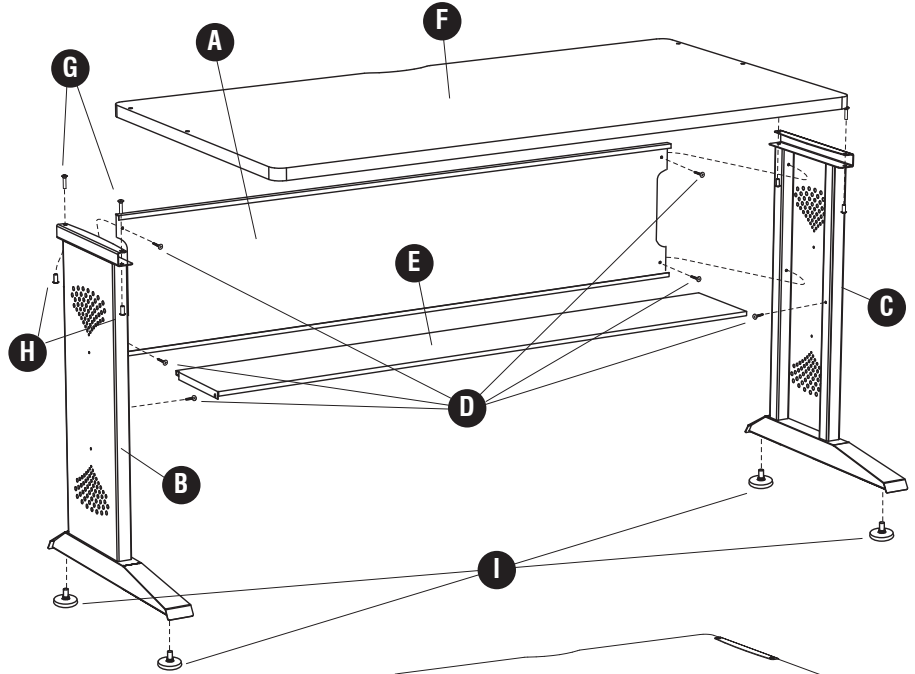


ASSEMBLY INSTRUCTIONS

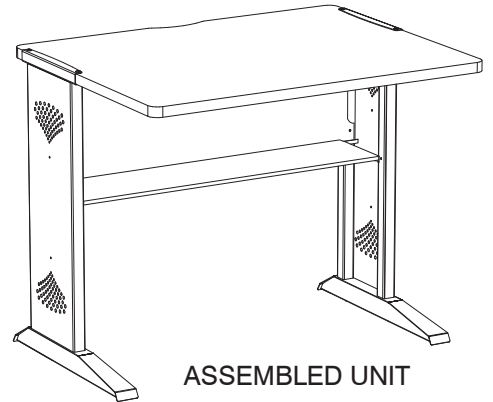
TOOLS REQUIRED: Phillips Screwdriver

PRODUCT WARRANTY REGISTRATION is available online at: www.safcoproducts.com

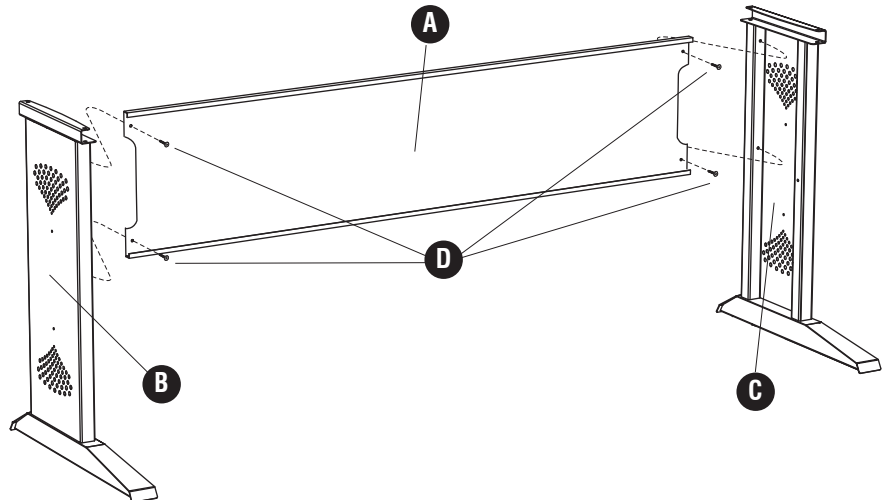
PARTS LIST			
CODE	DESCRIPTION	QTY.	PART NO.
A	Modesty Panel: 1930	1	193004
○	1931	1	193104
○	1934	1	193404
B	Left Leg	1	193002
C	Right Leg	1	193003
D	Screw	8	193024
E	Shelf: 1930	1	193005
○	1931	1	193105
○	1934	1	193405
F	Top Panel: 1930	1	193001
○	1931	1	193101
○	1934	1	193401
G	Carriage Bolt	4	193022
H	Barrel Nut	4	193023
I	Glide	4	193027



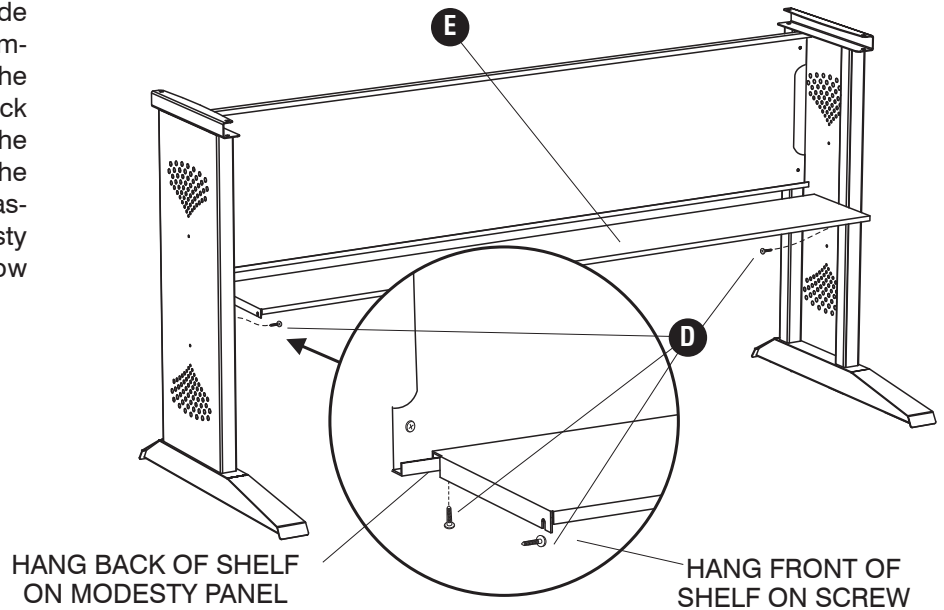
HARDWARE PACK: 193019			
D	G	H	I
Screw	Carriage Bolt	Barrel Nut	Glide



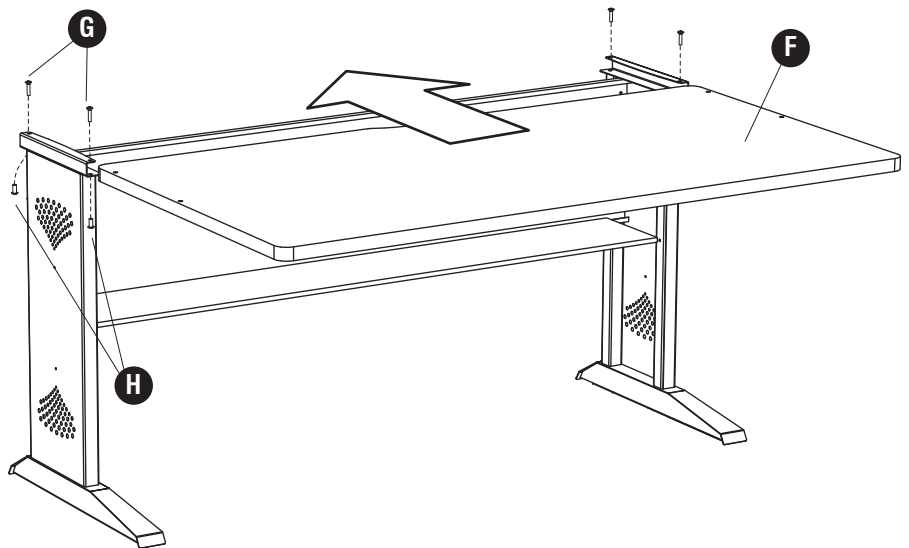
- 1 Attach the A Modesty Panel to the B Left Leg and the C Right Leg with two D Screws per side.



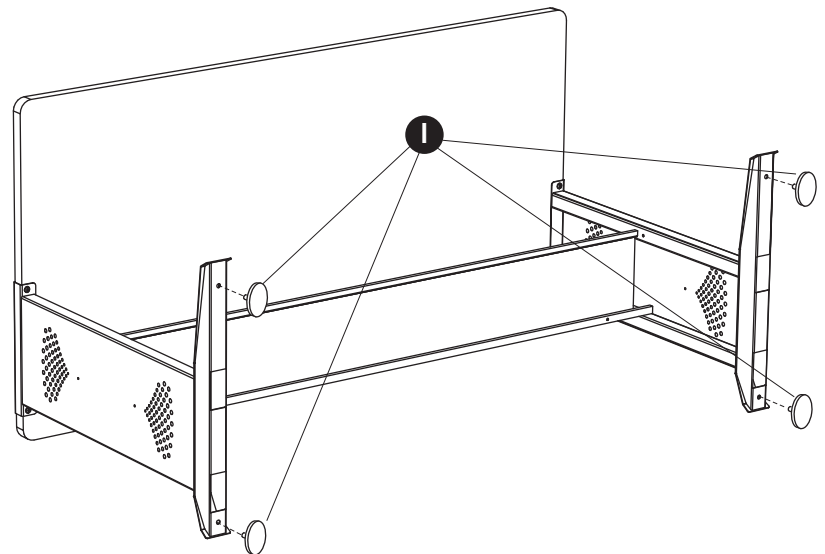
- 2** Insert a D Screw in the hole at the inside front of each Leg, but do not tighten completely; leave about 1/16" gap. Place the E Shelf between the Legs, with the back flange resting in the bottom flange of the Modesty Panel, and guide the slots at the sides of the Shelf behind the Screws. Fasten Shelf to lower corners of the Modesty Panel with two additional Screws. Now tighten the front Screws.



- 3** The F Top Panel can be mounted with either side up; select the side you prefer, and slide it into the top channels of the Legs (the cord cutout should be facing toward the back). Insert a G Carriage Bolt (with the square neck) into each square hole in the Legs, through the Top Panel, and fasten with a H Barrel Nut.



- 4** Carefully lay the unit on its back. Screw a I Glide into the front and back hole of each Leg. Set the unit upright. Adjust Glides to make unit level.



ATTENTION:
Please CENTER load over Legs
at rear of unit. Do NOT place
heavy loads at front.