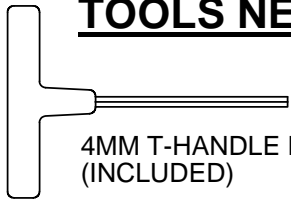


Model: TD201

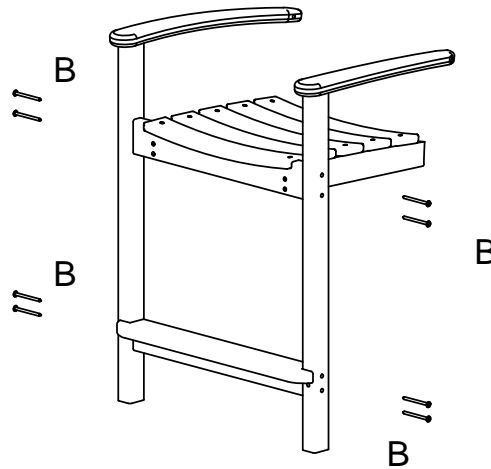
- (1) Seat assembly
- (2) Front leg with arm (LH/RH)
- (1) Back leg assembly
- (1) Foot rest
- (2) Brace (LH/RH)
- (1) Hardware pack

TOOLS NEEDED

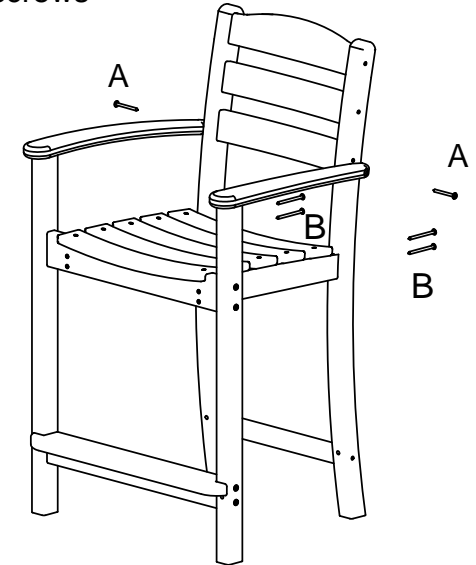


4MM T-HANDLE HEX KEY
(INCLUDED)

Step 1
Attach legs to the seat assembly
and foot rest with (8) 3" screws

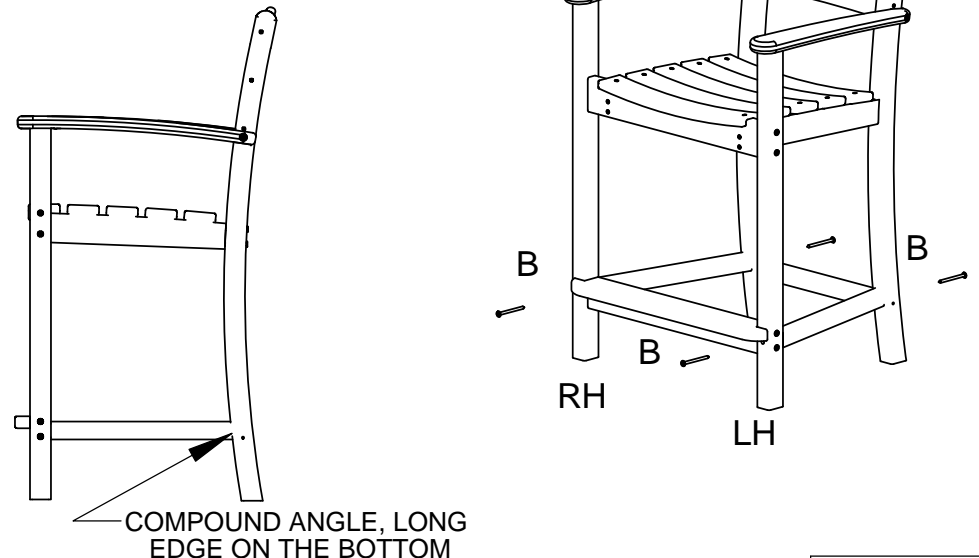


Step 2
Attach arms to back leg assembly
using (2) 2½" screws
Attach back leg assembly to seat assembly
using (4) 3" screws



Step 3
Attach braces between the front and back
legs with the remaining (4) 3" screws.

Note: Compound angle cut on brace
should be attached to the back leg



Qty.	Description
2	A - .27 X 2-1/2 SOCKET WAFER "A"
16	B - .27 X 3" SOCKET WAFER "A"