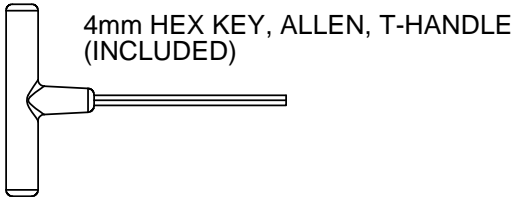


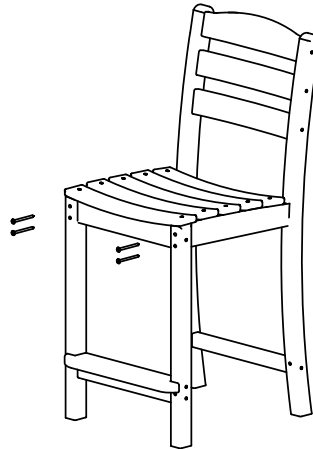
Model: TD101

- (1) Seat assembly
- (1) Front assembly
- (1) Back leg assembly
- (1) Foot rest
- (2) Braces
- (1) Hardware pack

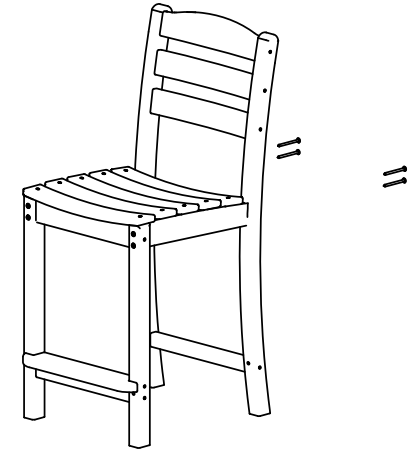
TOOLS NEEDED



Step 1
Attach front assembly to the seat assembly and with (4) 3" screws

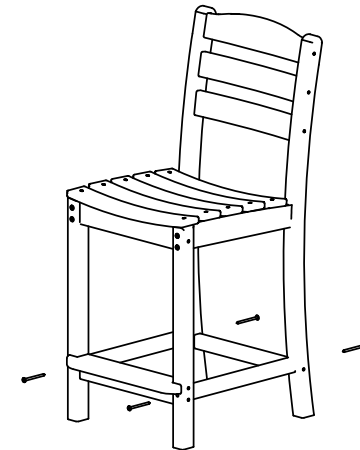


Step 2
Attach back leg assembly to seat assembly using (4) 3" screws



Step 3
Attach braces between the front and back legs with the remaining (4) 3" screws.

Note: Angle cut on brace should be attached to the back leg



Qty.	Description
12	.27 X 3 SOCKET WAFER A

