

Model: SHR22

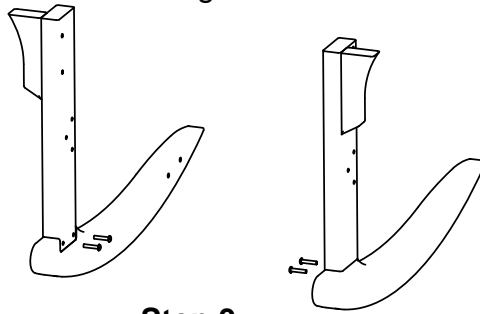
- (1) Seat
- (1) Back
- (2) Front legs
- (2) Arms
- (2) Rockers
- (1) Hardware pack

TOOLS NEEDED



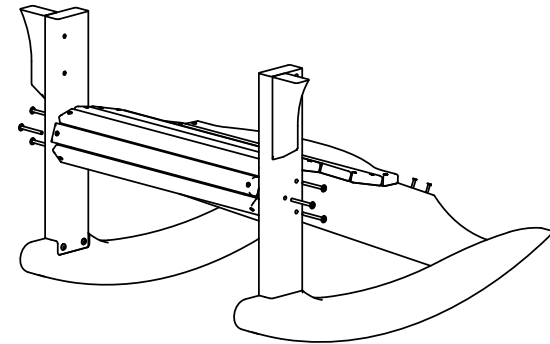
Step 1

Attach front legs to rockers with (4) 1 ¼" chair bolts. Make sure wing is toward the front of the rocker



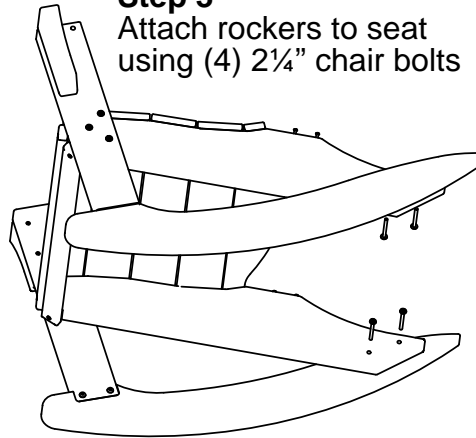
Step 2

Attach front legs to seat using (6) 2¼" chair bolts.



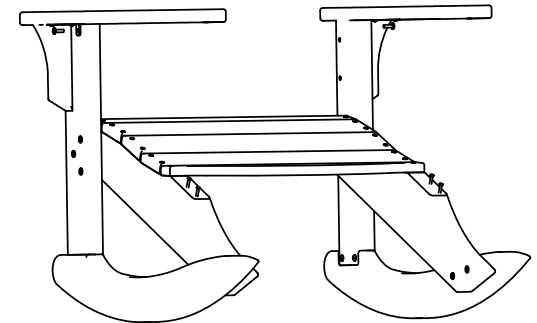
Step 3

Attach rockers to seat using (4) 2¼" chair bolts



Step 4

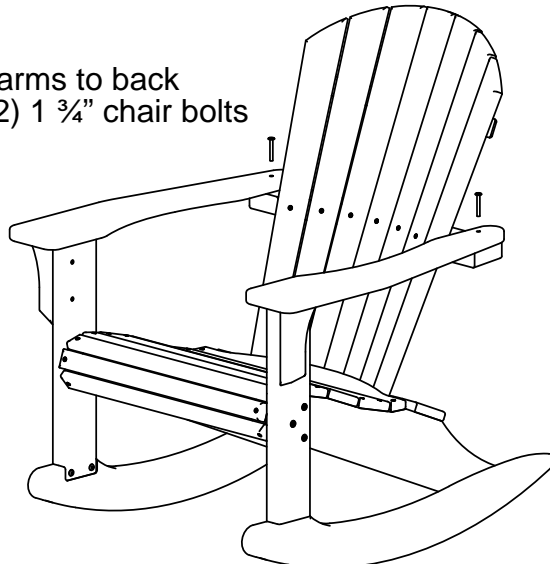
Attach arms to legs using (2) ¾" chair bolts



Qty.	Description
4	A - 8 X 1-1/2 PHIL FLAT SCREW
2	B - 1/4-20 X 3/4 WAFER SHCS
4	C - 1/4-20 X 1-1/4, BUTTON SHCS
2	D - 1/4-20 X 1-3/4 WAFER SHCS
10	E - 1/4-20 X 2-1/4 WAFER SHCS

Step 5

Attach arms to back using (2) 1 ¾" chair bolts



Step 6

Attach back to seat using (4) 8 x 1 ½" screws

