

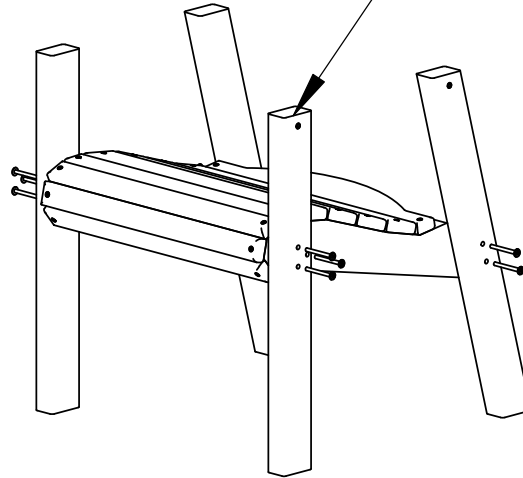
Model: SHD19

- (1) Seat
- (1) Back
- (2) Front legs
- (2) Rear legs
- (2) Arms
- (1) Hardware pack

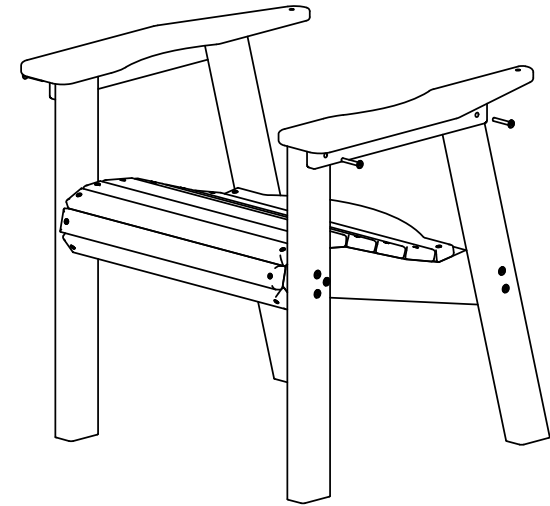
TOOLS NEEDED

- Phillips head screwdriver
- Screw gun is required
- 4mm HEX KEY, ALLEN, T-HANDLE (INCLUDED)

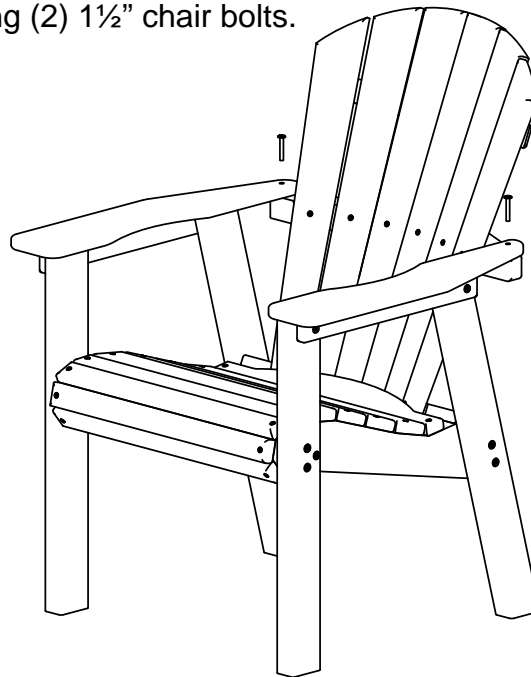
Step 1
Attach legs to seat using (10) 2¼" chair bolts.
Make sure inserts face out.



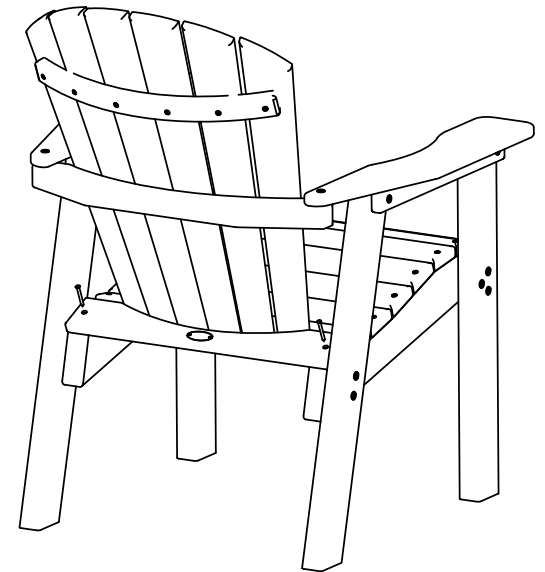
Step 2
Attach arms to legs using (4) 1½" chair bolts.
Move legs to help line up holes.



Step 3
Attach arms to back using (2) 1½" chair bolts.



Step 4
Attach back to seat using (2) 8 x 1½" screws.
Push the back all the way up to the seat slat.



Qty.	Description
2	A - 8 X 1-1/2 PHIL FLAT SCREW
6	B - 1/4-20 X 1-1/2 WAFER SHCS
10	C - 1/4-20 X 2-1/4 WAFER SHCS