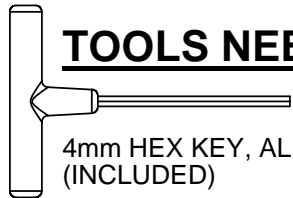




Intelligent Design™

Model: SH18 and SC229

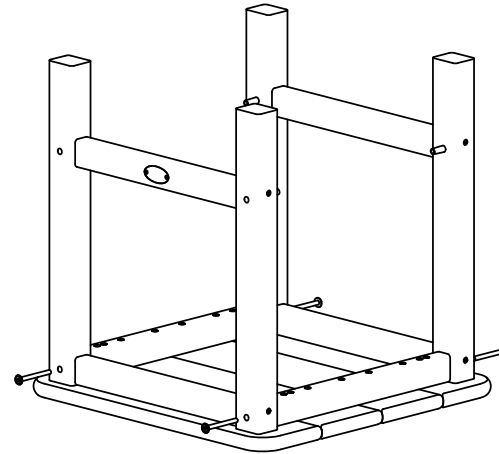
- (1) Table top
- (2) Side frames
- (2) Braces
- (1) Hardware pack



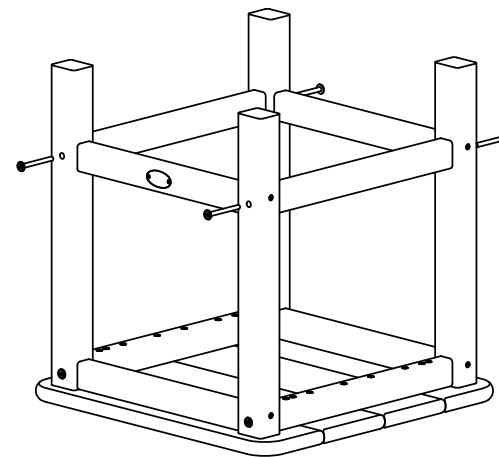
### TOOLS NEEDED

4mm HEX KEY, ALLEN, T-HANDLE  
(INCLUDED)

Step 1:  
Lay tabletop assembly upside down  
and attach side assemblies using (4) 2-1/4 screws  
NOTE: Do Not Fully Tighten



Step 2:  
Now loosely attach braces using the remaining (4) 2-1/4 screws  
Afterwards, turn table upright and tighten all screws.



Qty.	Description
------	-------------

8	A - 1/4-20 X 2-1/4 WAFER SHCS
---	-------------------------------

