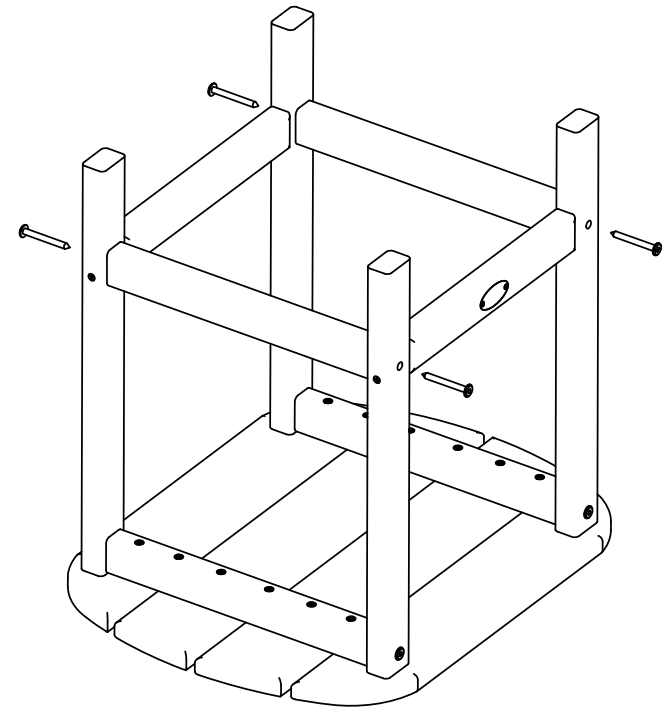
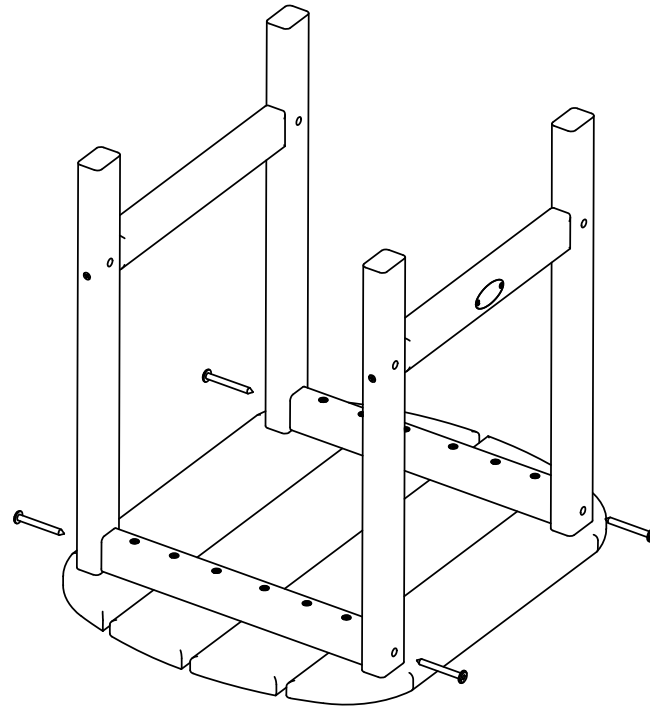


Model: SBT18, SBT26

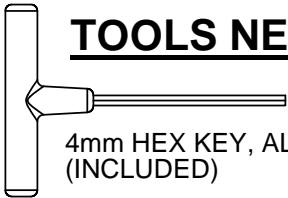
Step 1
Attach sideframes to table top
using (4) 2" screws

Step 2
Attach braces to sideframes
using (4) 2" screws

- (1) Table top
- (2) Sideframes
- (2) Braces
- (1) Hardware pack



TOOLS NEEDED



4mm HEX KEY, ALLEN, T-HANDLE
(INCLUDED)

Qty.	Description
------	-------------

8

A - .27 X 2 SOCKET WAFER A

