

Model: SBO22

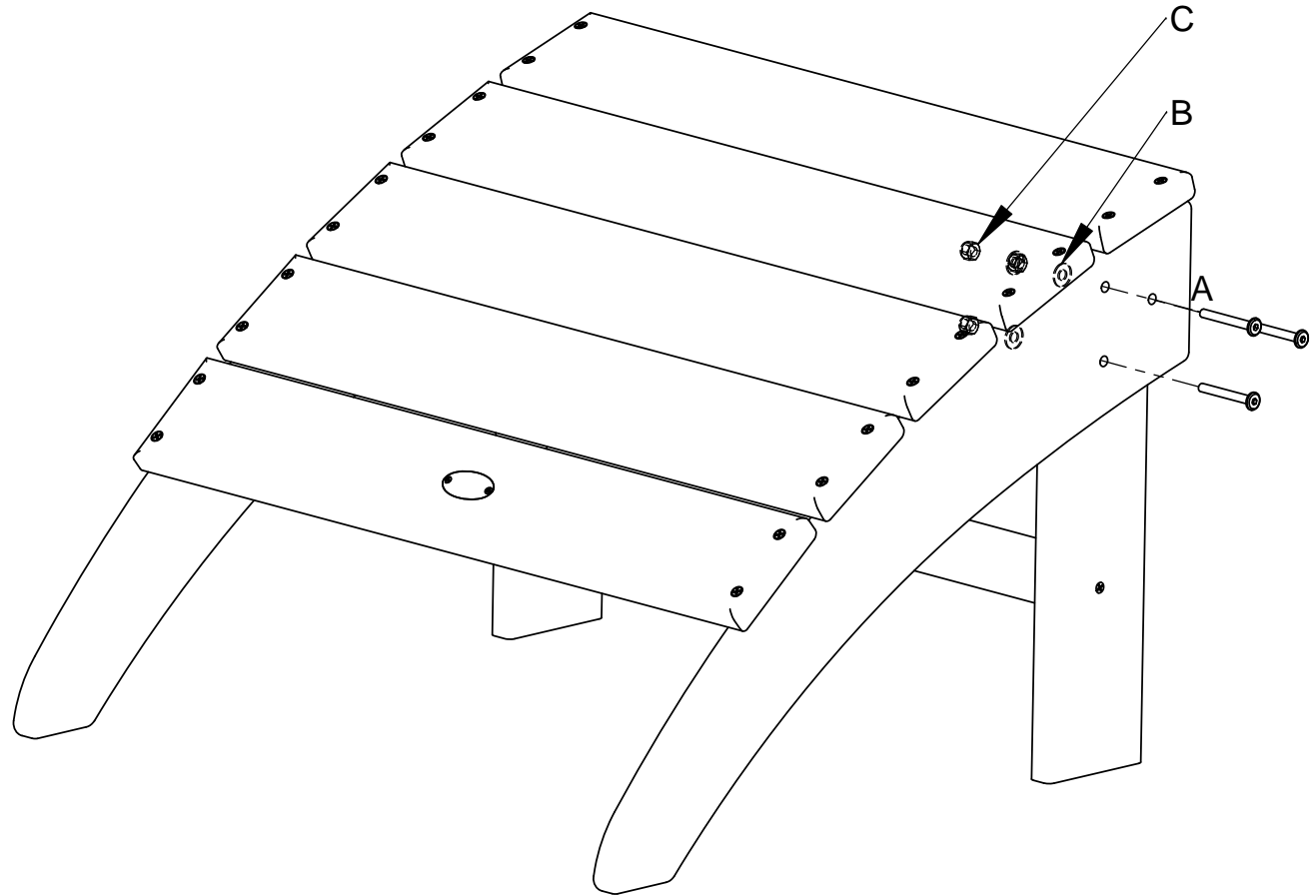
- (1) Long leg assembly
- (1) Short leg assembly
- (1) Hardware pack

**Step 1**  
Attach long leg assembly to short leg assembly  
with (6) 1-7/8" bolts, nuts and washers

**TOOLS NEEDED**



- 7/16 wrench
- 4mm hex key, allen, t-handle (included)



Qty.	Description
6	A-1/4-20 X 1-7/8 WAFER SHCS
6	B-1/4 FLAT WASHER
6	C-1/4-20 NYLOCK NUT