



Intelligent Design™

Model: SBO20

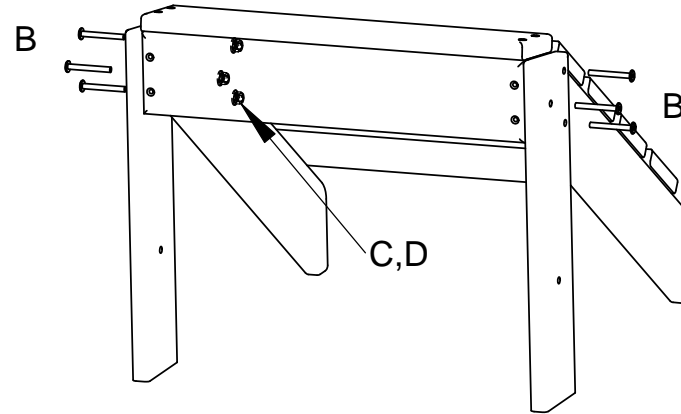
- ___ (1) Hardware pack
- ___ (1) Leg assembly
- ___ (2) Legs
- ___ (1) Brace

TOOLS NEEDED

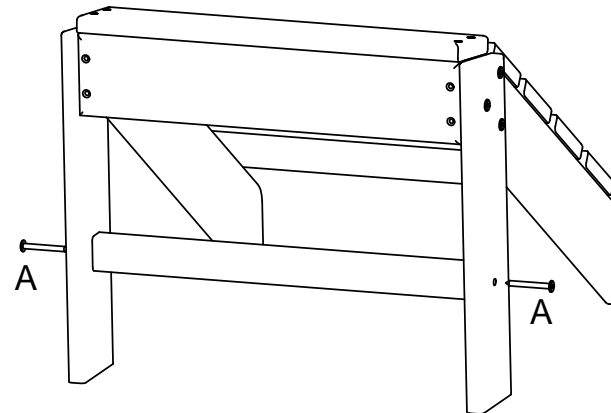


7/16 Wrench
4mm HEX KEY, ALLEN, T-HANDLE
(INCLUDED)

Step 1
Attach legs to leg assembly using
(6) 1-7/8" bolt, nut and washer



Step 2
Attach brace to legs using
(2) .27x2" screws



Qty.	Description
2	A-.27 X 2 SOCKET WAFER A
6	B-1/4-20 X 1-7/8 WAFER SHCS
6	C-1/4 FLAT WASHER
6	D-1/4-20 NYLOCK NUT