



Intelligent Design™

Model: SBL30

- (1) Seat
- (1) Back
- (2) Front legs
- (2) Back legs
- (2) Arms
- (1) Footrest assembly
- (1) Footrest legs
- (5) Braces
- (1) Hardware pack

TOOLS NEEDED

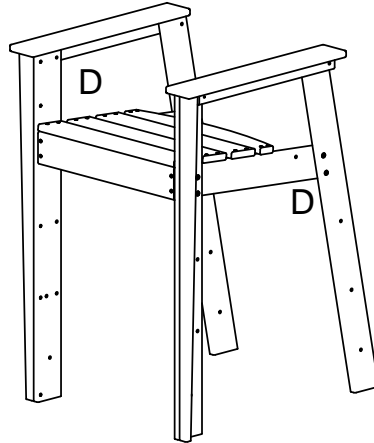


7/16 Wrench
4mm HEX KEY, ALLEN, T-HANDLE
(INCLUDED)

| Qty. | Description |
|------|--------------------------------|
| 4 | A - .27 X 1-1/2 SOCKET WAFER B |
| 14 | B-.27 X 2 SOCKET WAFER A |
| 2 | C-.27 X 3 SOCKET WAFER A |
| 8 | D-1/4-20 X 1-7/8 WAFER SHCS |
| 6 | E-1/4-20 X 2-1/4 WAFER SHCS |
| 14 | F-1/4 FLAT WASHER |
| 14 | G-1/4-20 NYLOCK NUT |

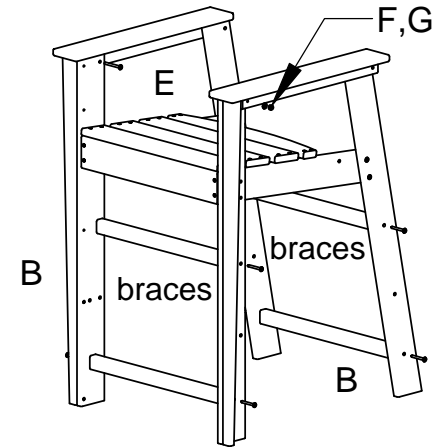
Step 1

Lay seat on its side.
Attach front leg and back leg
to seat. Now flip seat around and
do the other side. Uses (8) 1-7/8" bolt,
nut and washer



Step 2

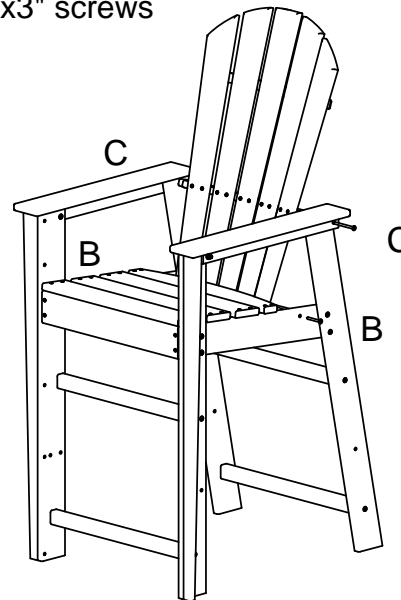
Attach arms to front leg using
(2) 2-1/4" bolt, nut and washer
Attach braces to legs using
(8) .27x2" screws



Step 3

Attach back to seat
using (2) .27x2" screws

Attach back to rear leg
using (2) .27x3" screws



Step 4

- Attach footrest legs to footrest assembly
using (4) 1½" screws
- Attach footrest assembly to chair legs
using (4) 2-1/4" bolt, nut and washer
and at rear with (2) .27x2" screws
- Attach brace to footrest legs
using (2) .27x2" screws

