

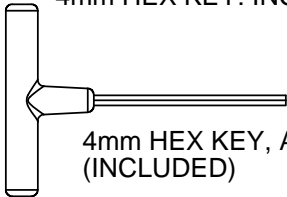
Models: RT248, RCT248,
RRT248, RBT248

- (1) Table top
- (4) Leg
- (2) Foot
- (2) Brace
- (1) Hardware pack

TOOLS NEEDED

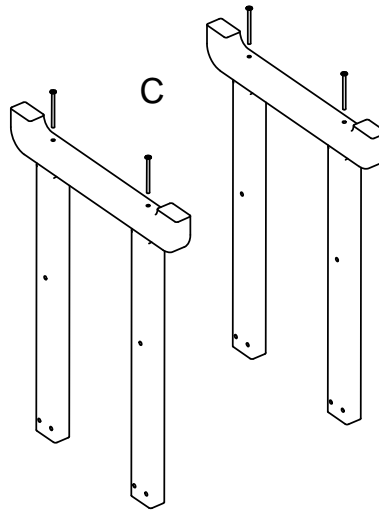


4mm HEX KEY: INCLUDED

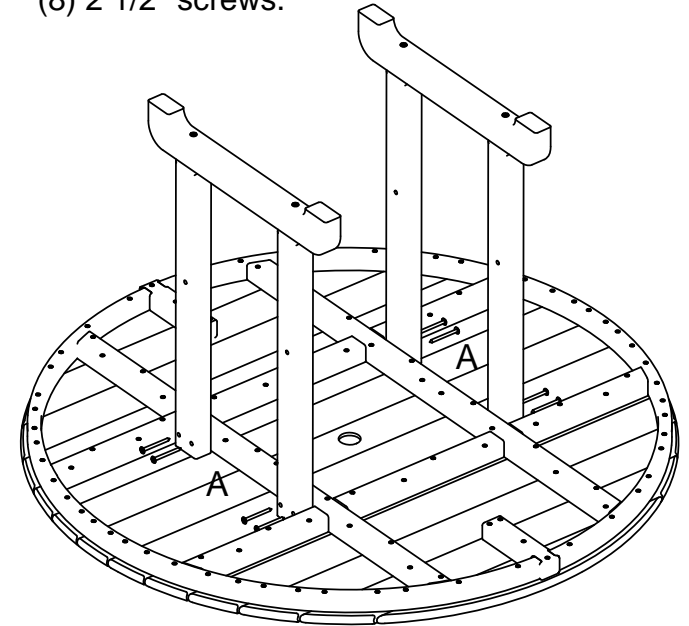


4mm HEX KEY, ALLEN, T-HANDLE
(INCLUDED)

Step 1
Attach feet to legs using
(4) 3 1/4" Chair bolts.

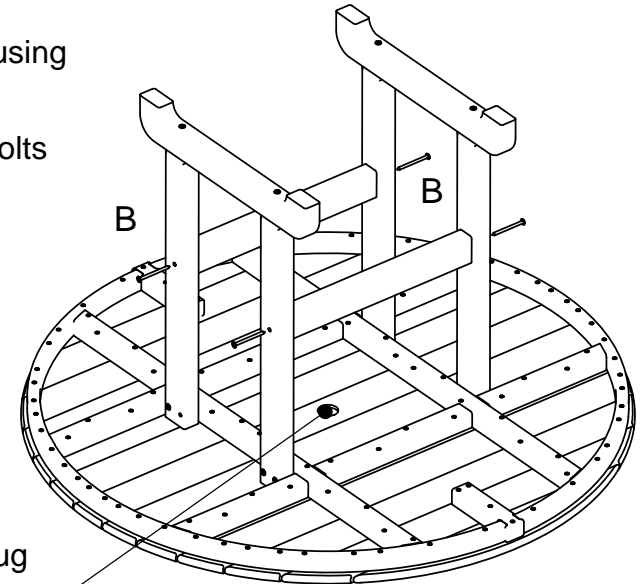


Step 2
Lay the table top on a flat surface.
Attach the leg assemblies to the table top using
(8) 2 1/2" screws.



Step 3
Attach braces to leg assemblies using
(4) 3" screws.

Set table upright and tighten all bolts



Removable table plug
included in table

Qty.	Description
8	A - .27 X 2-1/2 SOCKET WAFER A
4	B - .27 X 3 SOCKET WAFER A
4	C - 1/4-20 X 3-1/4 WAFER SHCS

