



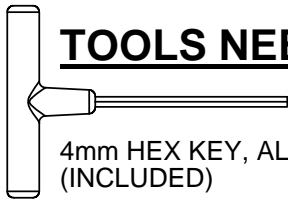
Intelligent Design™

Model:

RT124, RRT124, RBT124
RT224, RRT224, RBT224

- ___(1) Table top (poly or rock)
- ___(1) Table support
- ___(4) Legs
- ___(1) Brace assembly
- ___(1) Foot assembly
- ___(1) Hardware pack

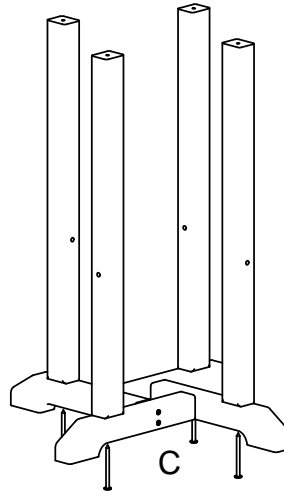
TOOLS NEEDED



4mm HEX KEY, ALLEN, T-HANDLE
(INCLUDED)

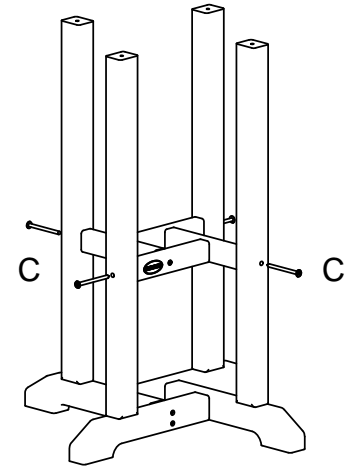
Step 1

Attach Legs to Foot assembly using
(4) 3" screws



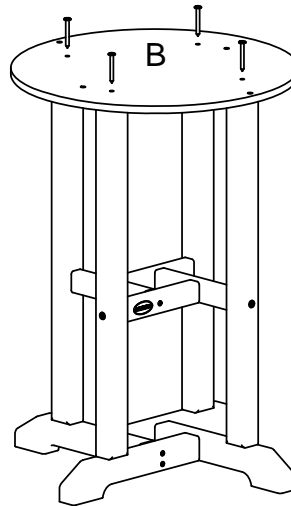
Step 2

Attach Brace assembly to legs using
(4) 3" screws



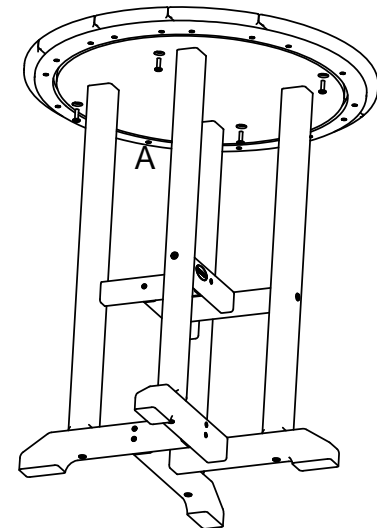
Step 3

Attach Table support to legs using
(4) 2" screws



Step 4

Attach Table top to Table support using
(4) 3/4" chair bolts



Qty. Description

4 A -1/4-20 X 3/4 WAFER SHCS

4 B -.27 X 2 SOCKET WAFER A

8 C -.27 X 3 SOCKET WAFER A