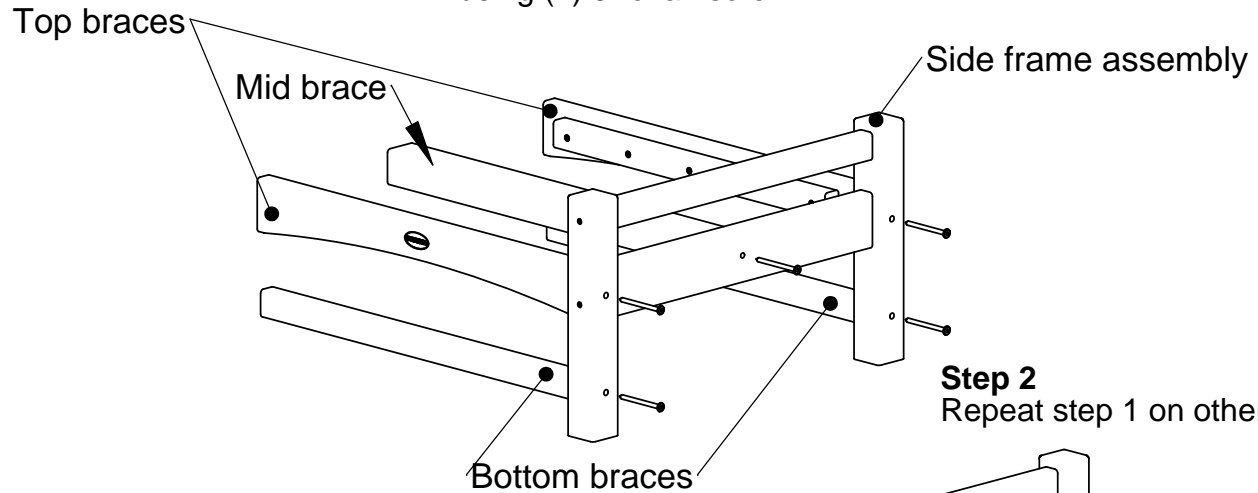


Model: CLO23

- (2) Sideframe assembly
- (2) Bottom braces
- (1) Mid brace
- (2) Top braces
- (1) Ottoman cushion
- (1) Hardware pack

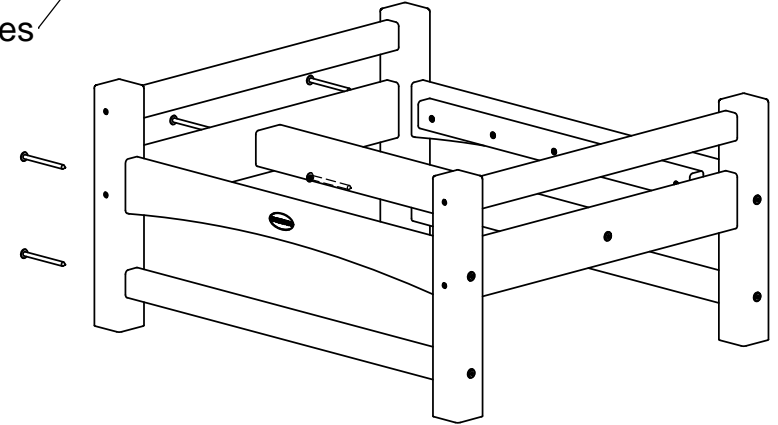
Step 1

- Attach bottom braces and top braces to sideframe using (4) 3" chair screws
- Attach mid brace to sideframe using (1) 3" chair screw



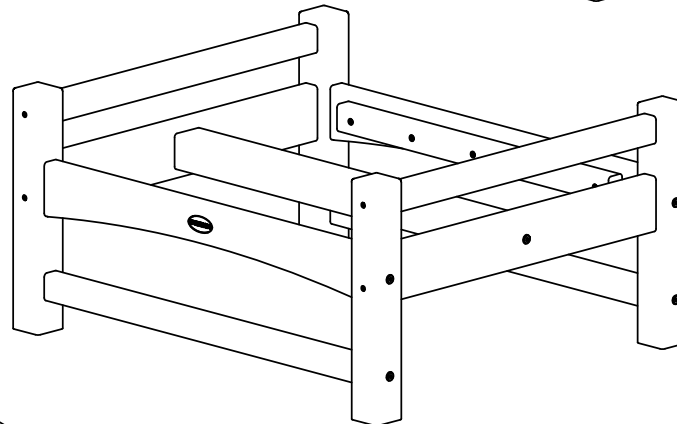
Step 2

Repeat step 1 on other side frame

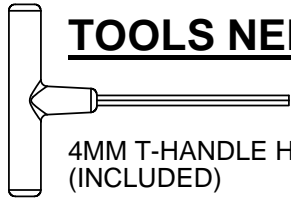


Step 3

Set cushion in ottoman



TOOLS NEEDED



4MM T-HANDLE HEX KEY
(INCLUDED)

Qty.	Description
------	-------------

