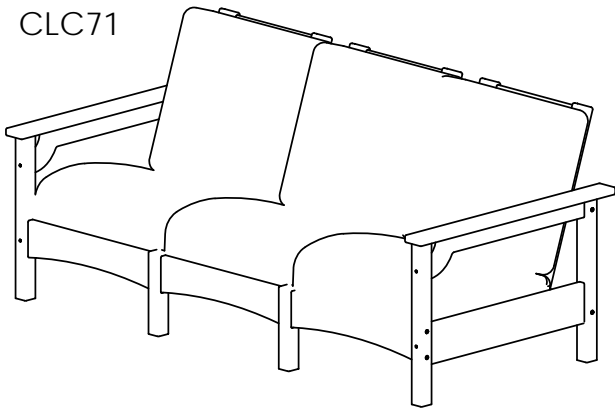
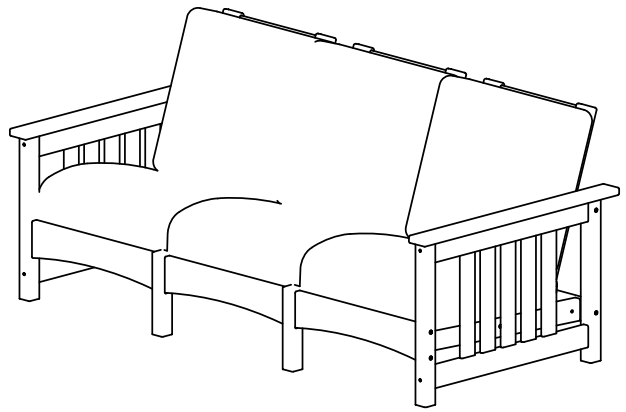


SOFA

CLC71

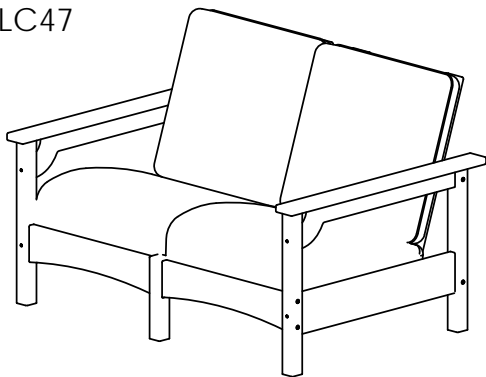


CMC71

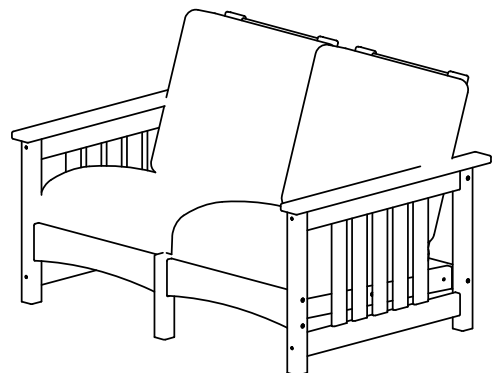


LOVESEAT

CLC47



CMC47



Assembly instructions cover SOFA and LOVESEAT

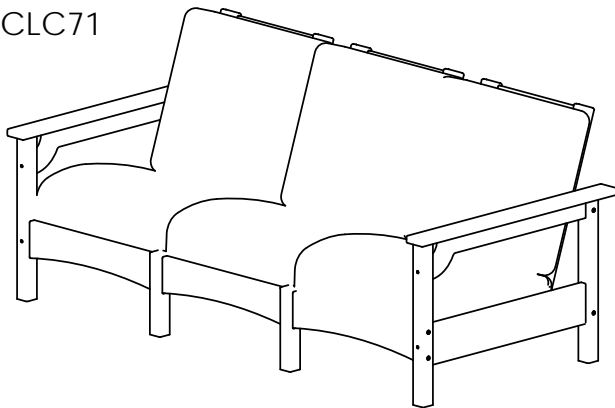
Sort Boxes

Items are shipped in multiple boxes

Sections needed for SOFA

box - CLC23R
box - CLC23C
box - CLC23L

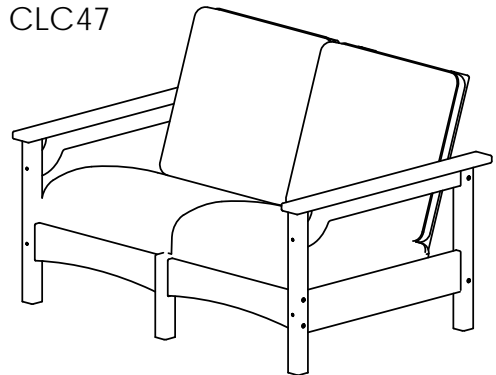
CLC71



Sections needed for LOVESEAT

box - CLC23R
box - CLC23L

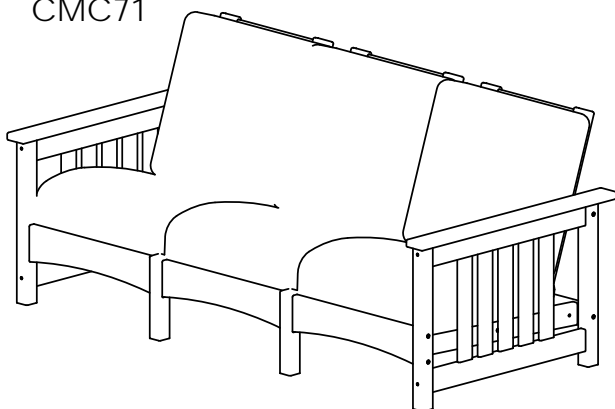
CLC47



Sections needed for SOFA

box - CMC23R
box - CLC23C
box - CMC23L

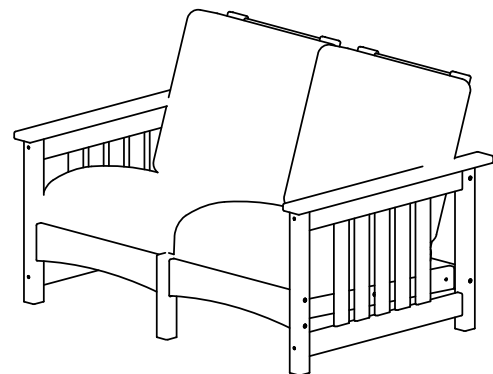
CMC71



Sections needed for LOVESEAT

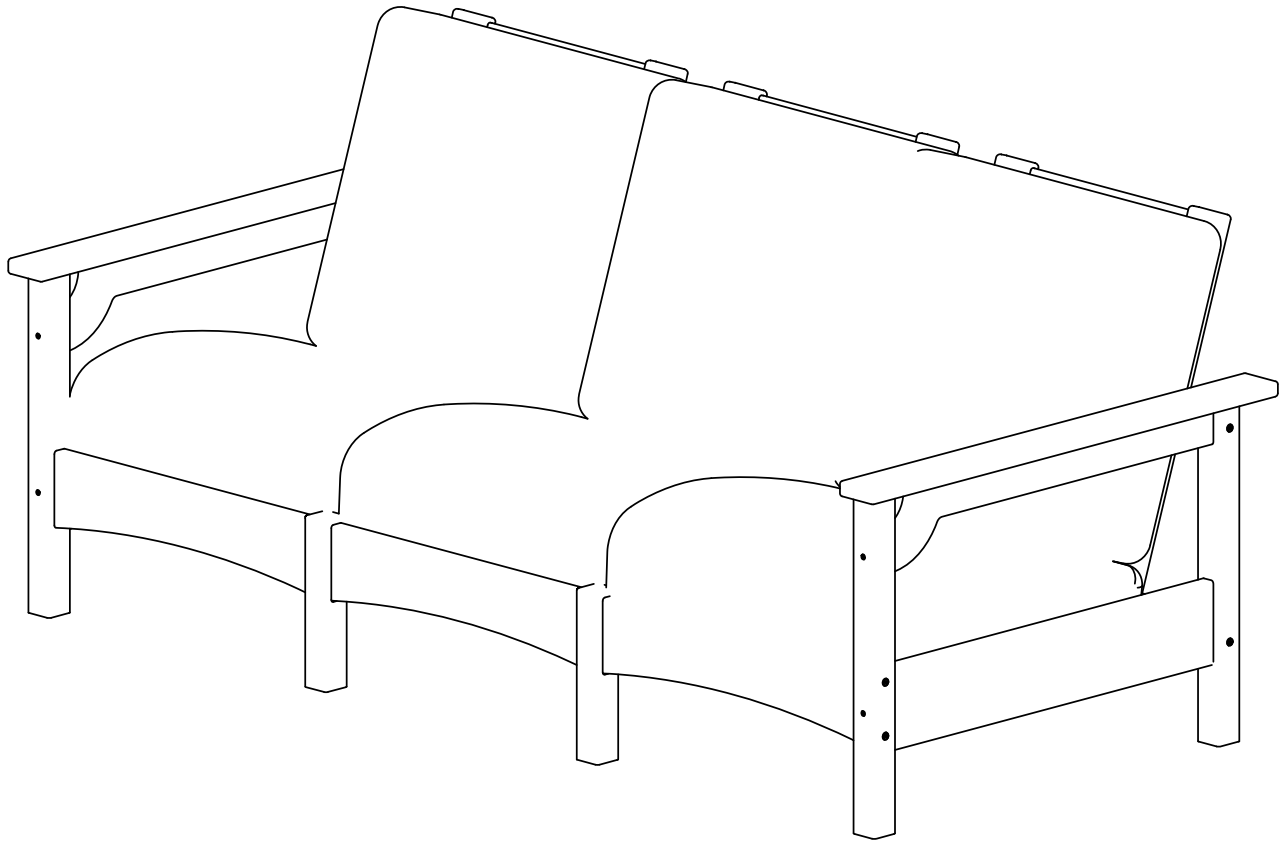
box - CMC23R
box - CMC23L

CMC47



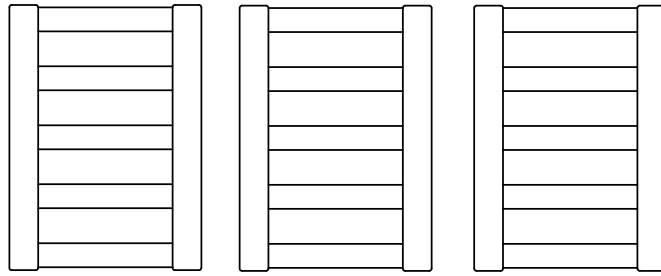
SOFA ASSEMBLY

CLC71 shown

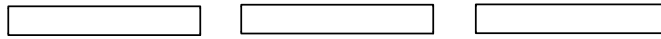


Layout Parts

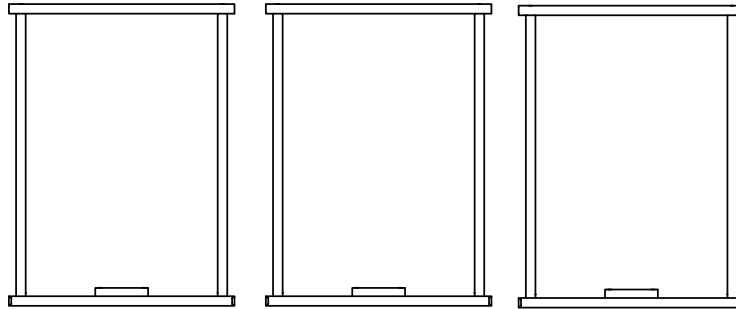
Backs



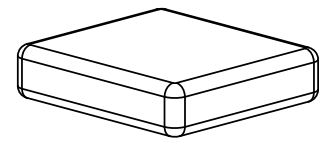
Seat supports



Seats

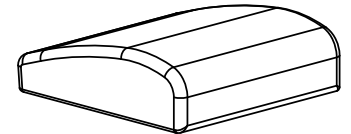
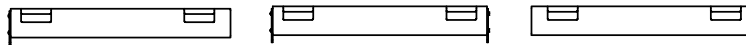


Cushions



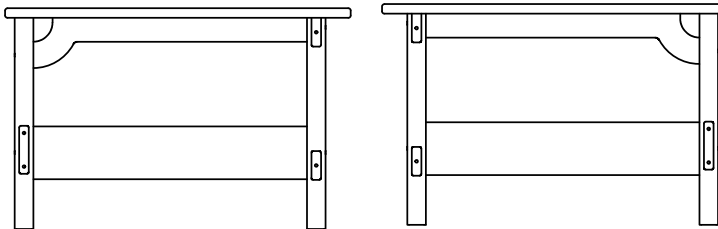
(3) Back

Back rails



(3) Seat

Sideframes



Center legs

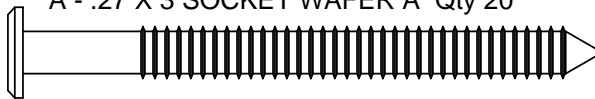


Layout Hardware

note: you will need hardware pack from CLC23C box



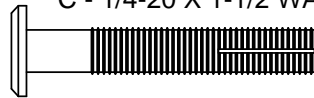
A - .27 X 3 SOCKET WAFER A Qty 20



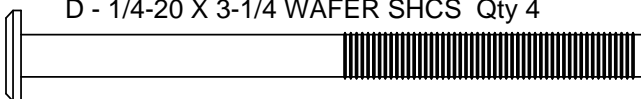
B - 1/4-20 x 1/2" BARREL NUT Qty 6



C - 1/4-20 X 1-1/2 WAFER SHCS Qty 2



D - 1/4-20 X 3-1/4 WAFER SHCS Qty 4

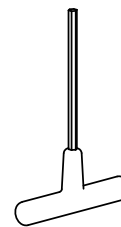


Tools Needed

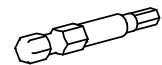
4mm Hex Key - *included*

4mm Hex Bit for screw gun - *included*

Phillips head screwdriver



(3) Seat

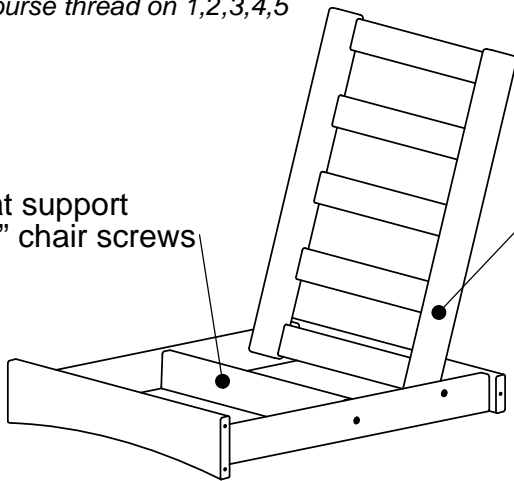


Sofa Assembly

note: use course thread on 1,2,3,4,5

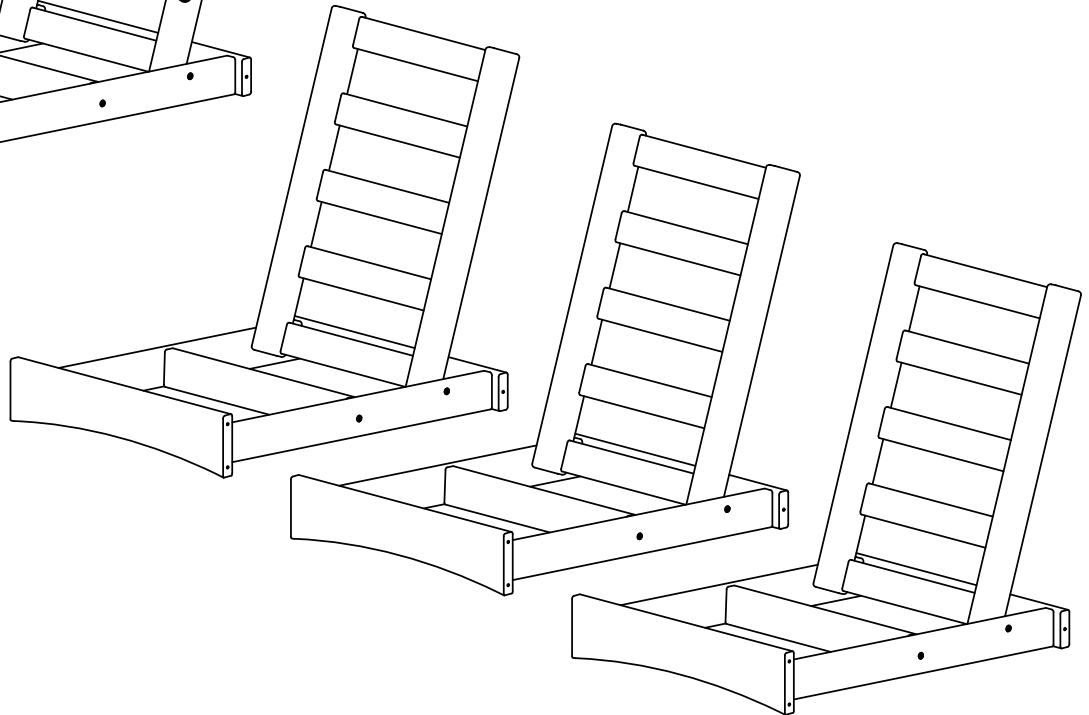
Step 1

Attach Seat support using (2) 3" chair screws



Step 2

Attach Back to Seat using (2) 3" chair screws

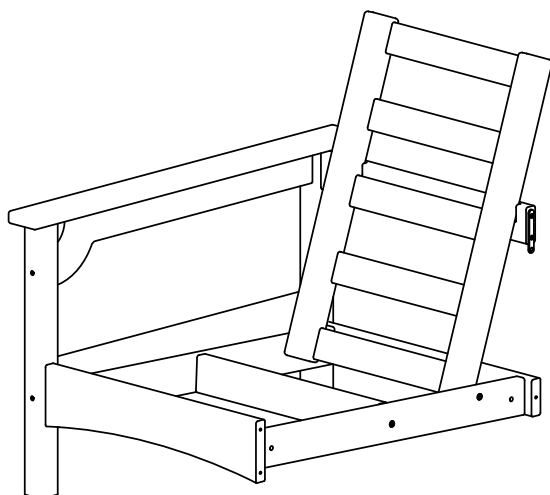


Step 3

Repeat until all seat/back assemblies are complete

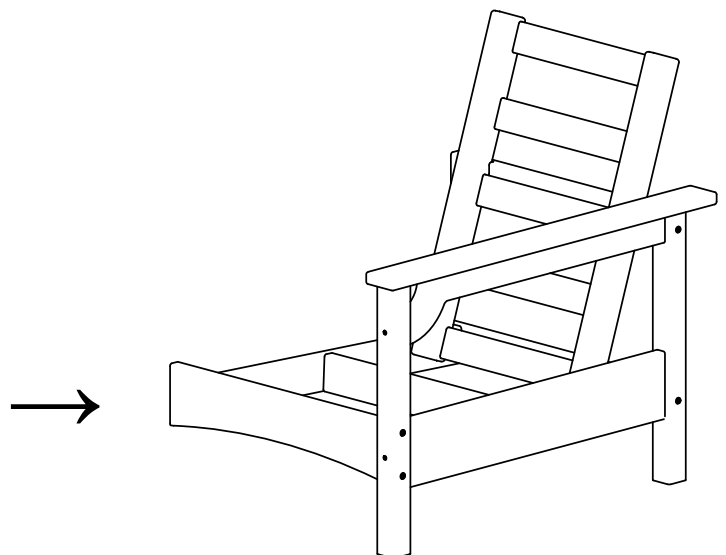
Step 4

Attach Right side frame and Right back rail to Seat/back assembly using (4) 3" chair screws



Step 5

Attach Left side frame and Left back rail to Seat/back assembly using (4) 3" chair screws

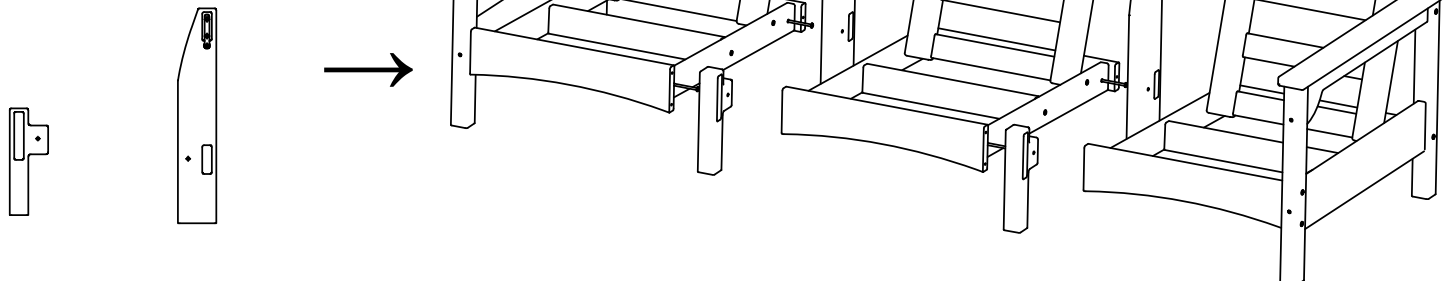


Sofa Assembly

note: use fine thread bolts for 7, 8, 9

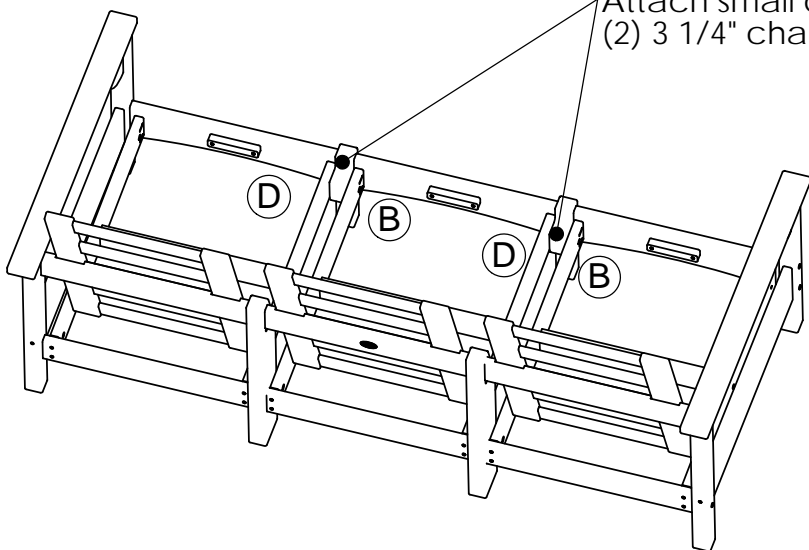
Step 6

Fit all sections together with Center legs



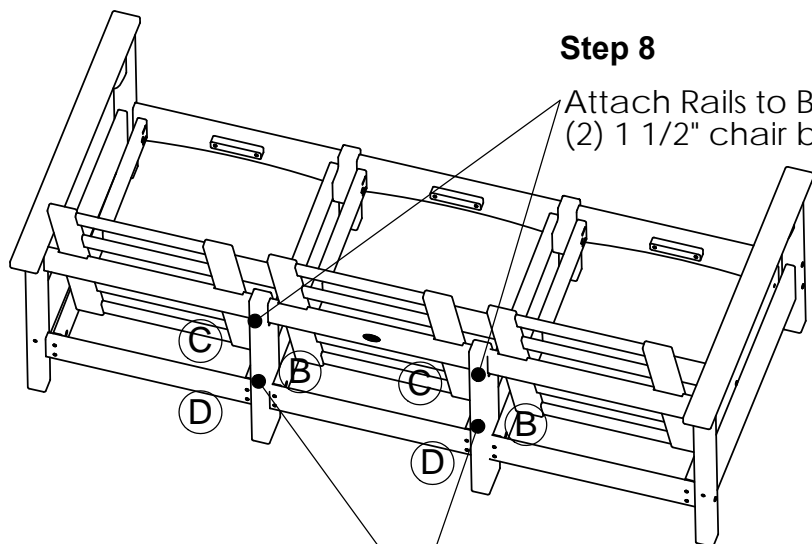
Step 7

Attach small center legs with (2) 3 1/4" chair bolts and (2) barrel nuts



Step 8

Attach Rails to Back legs using (2) 1 1/2" chair bolts and barrel nuts



Step 9

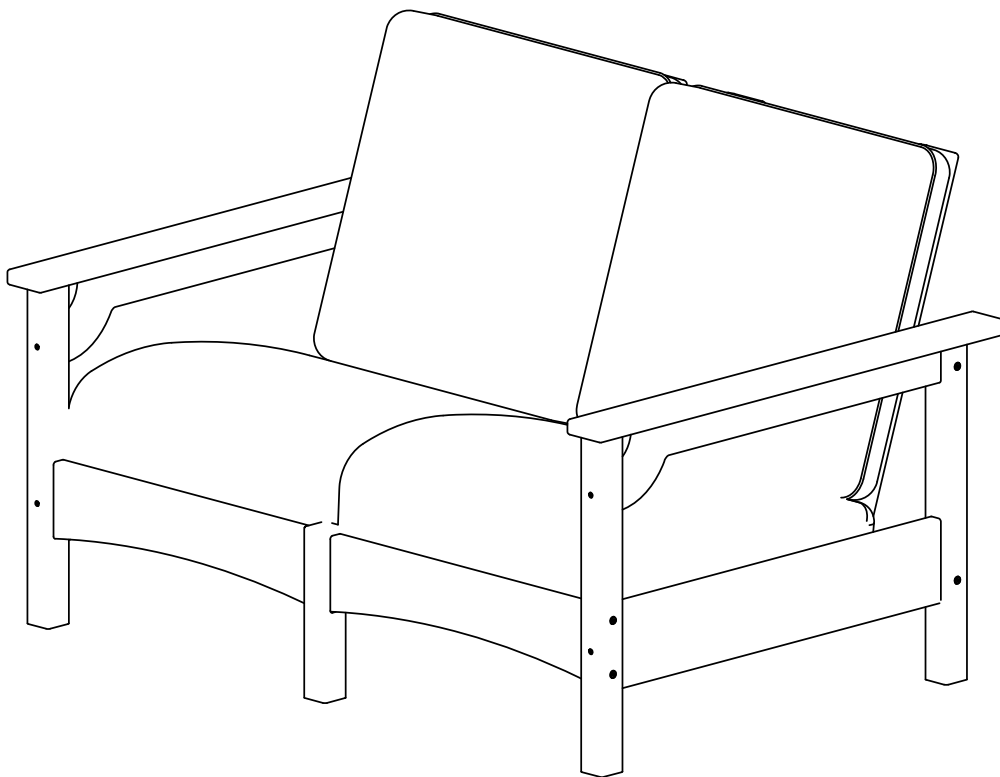
Attach Seats to Back legs using (2) 3 1/4" chair bolts and barrel nuts

Step 10

Put cushions on sofa
Your sofa is assembled!

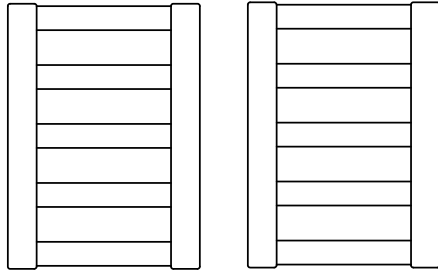
LOVESEAT ASSEMBLY

CLC47 shown



Loveseat Assembly

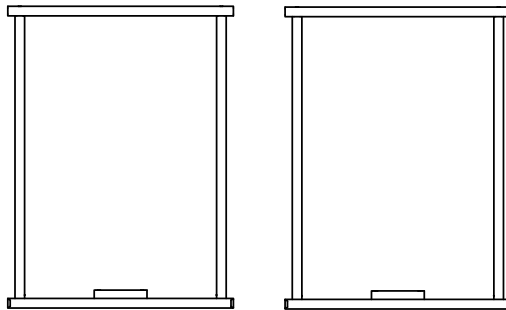
Backs



Seat supports



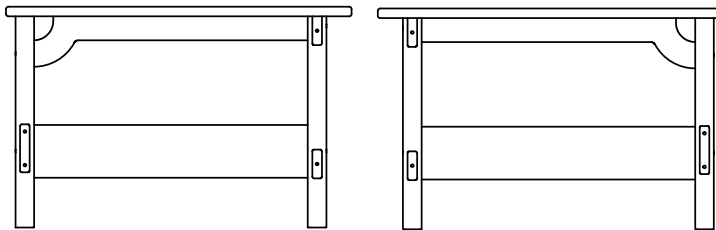
Seats



Back rails



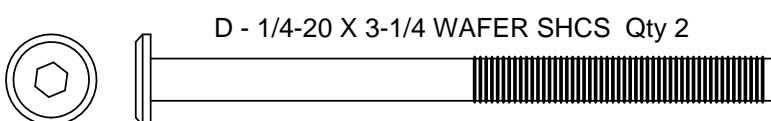
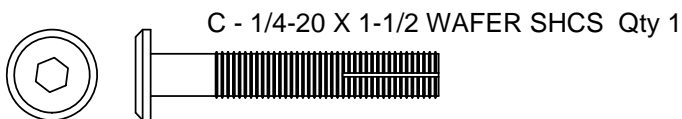
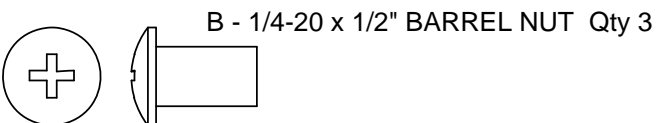
Sideframes



Center legs

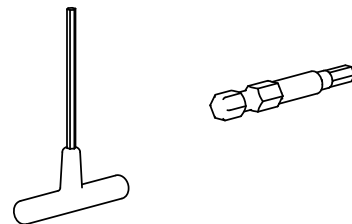


Layout Hardware



Tools Needed

4mm Hex Key - *included*
 4mm Hex Bit for screw gun - *included*
 Phillips head screwdriver

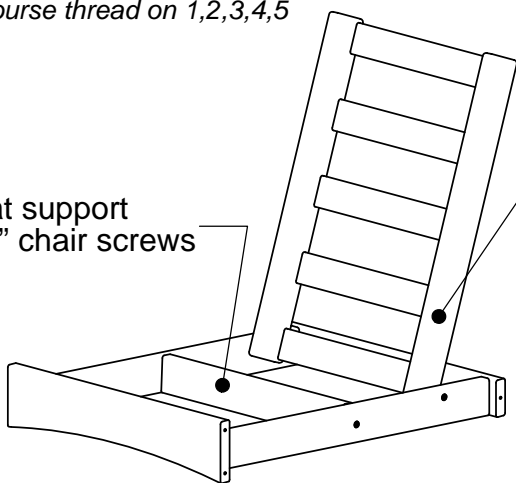


Sofa Assembly

note: use course thread on 1,2,3,4,5

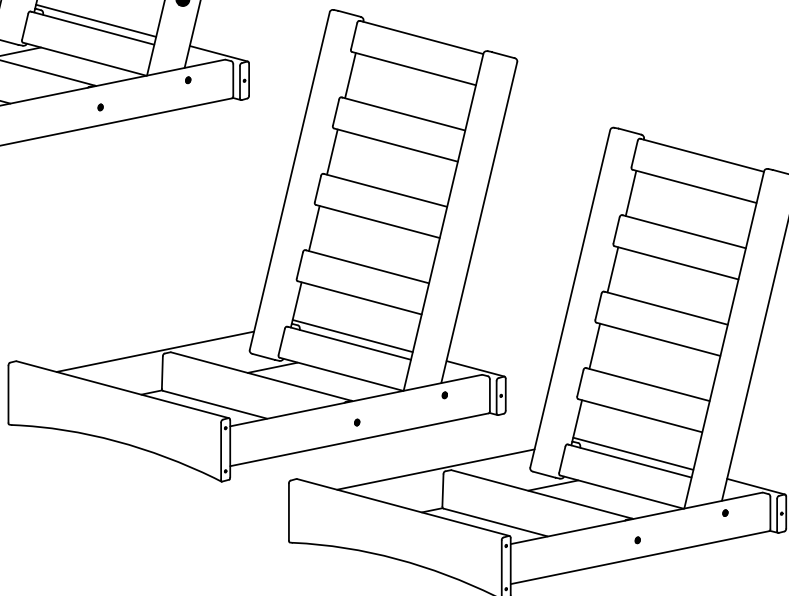
Step 1

Attach Seat support using (2) 3" chair screws



Step 2

Attach Back to Seat using (2) 3" chair screws

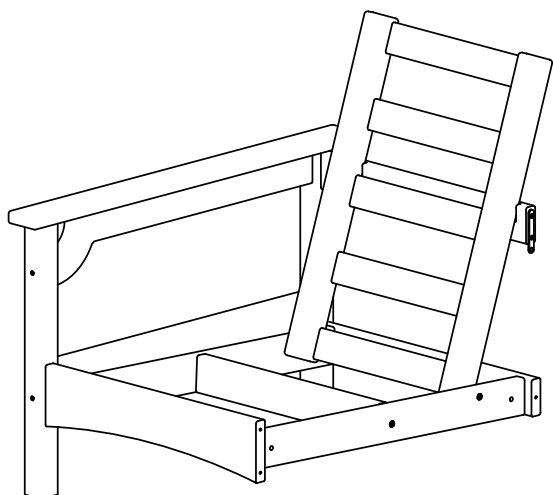


Step 3

Repeat until all seat/back assemblies are complete

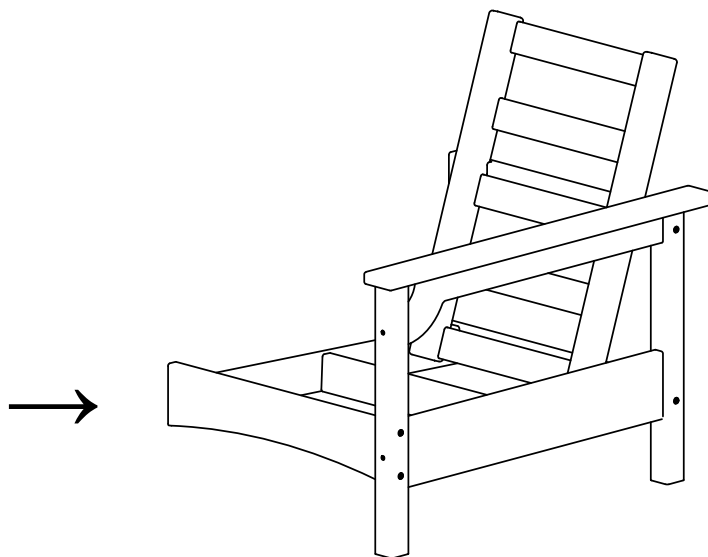
Step 4

Attach Right side frame and Right back rail to Seat/back assembly using (4) 3" chair screws



Step 5

Attach Left side frame and Left back rail to Seat/back assembly using (4) 3" chair screws

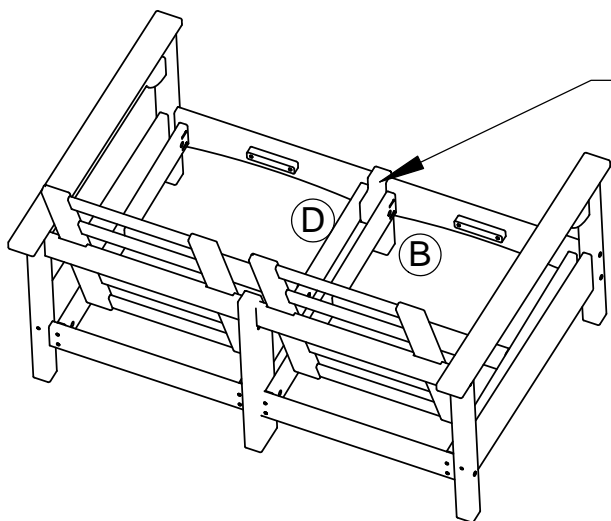
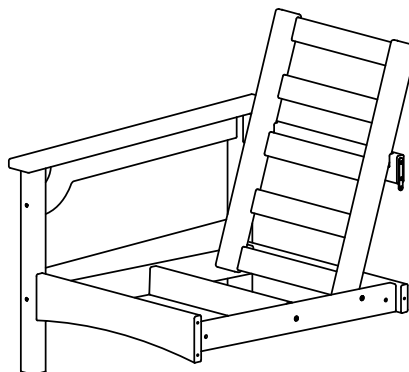
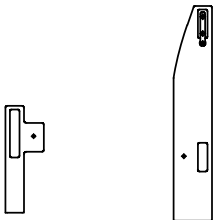


Loveseat Assembly

note: use fine thread bolts for 7, 8, 9

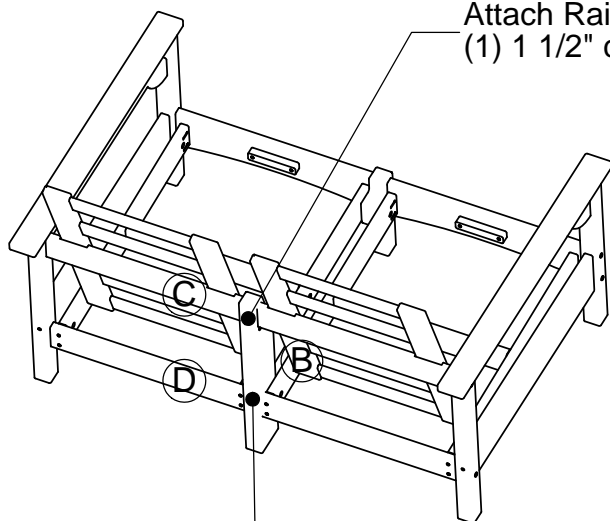
Step 6

Fit all sections together with Center legs



Step 7

Attach small Center leg with (1) 3 1/4" chair bolt and (1) barrel nut



Step 8

Attach Rails to Back leg using (1) 1 1/2" chair bolt and barrel nut

Step 9

Attach Seats to Back leg using (1) 3 1/4" chair bolt and barrel nut

Step 10

Put cushions on loveseat
Your loveseat is assembled!