

Model: NST

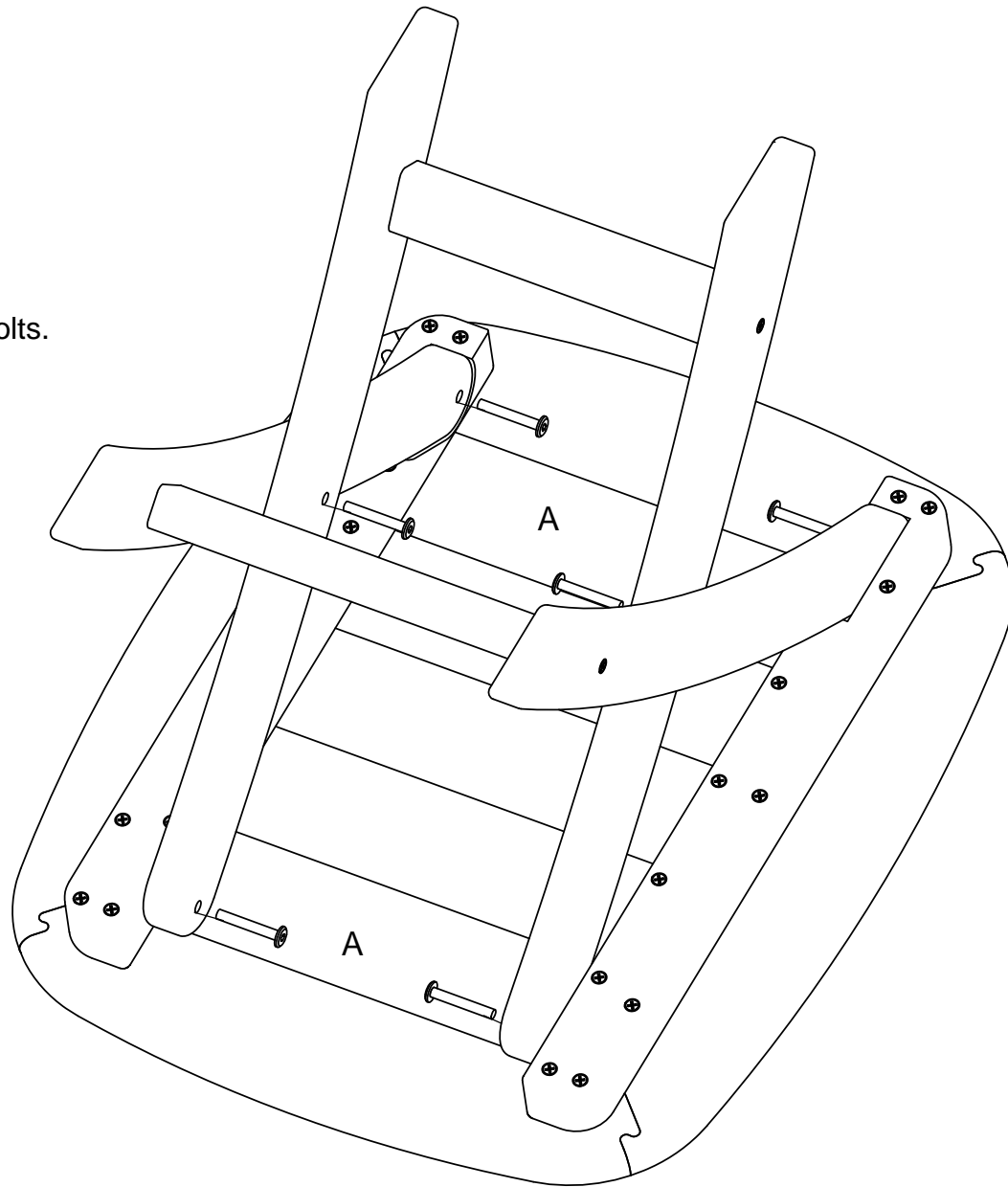
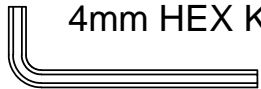
### Step 1

Attach legs to table top with (6) 1½" chair bolts.

- (1) Inside leg assembly
- (1) Outside leg assembly
- (1) Table top
- (1) Hardware pack

### TOOLS NEEDED

4mm HEX KEY: INCLUDED



| Qty. | Description |
|------|-------------|
|------|-------------|

|   |                               |
|---|-------------------------------|
| 6 | A - 1/4-20 X 1-1/2 WAFER SHCS |
|---|-------------------------------|

