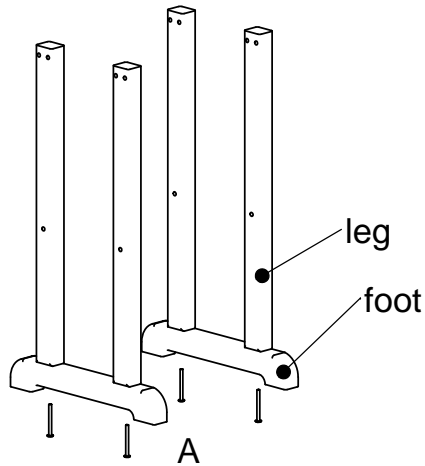


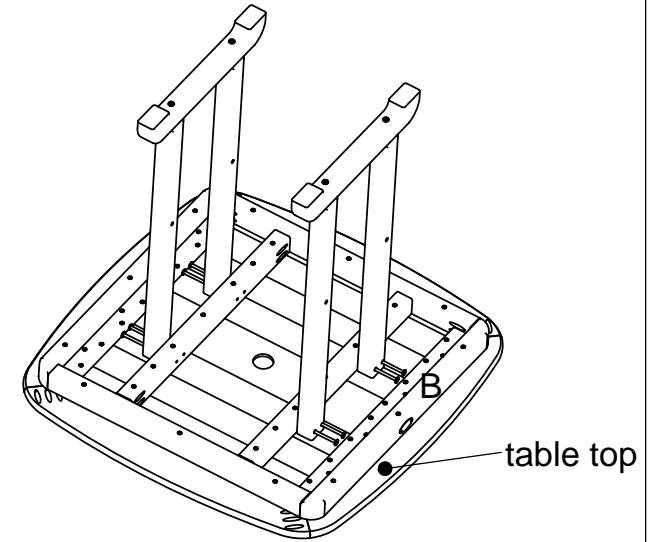
Model:
NCCT31, NCT31, NCRT31

- (1) Table top
- (4) Leg
- (2) Foot
- (2) Brace
- (1) Hardware pack

Step 1
Attach feet to legs using (4) 2½" Chair bolts.



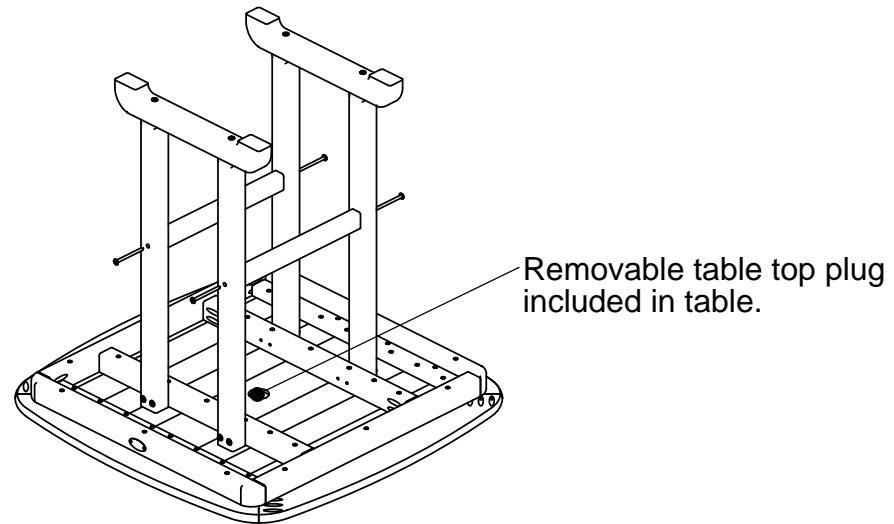
Step 2
Lay table top on flat surface.
Attach the leg assemblies to the table frame using (8) .27x2½" screws



TOOLS NEEDED

4mm HEX KEY: INCLUDED

Step 3
Attach the leg braces to the leg assemblies using (4) .27x3" screws



Qty.	Description
4	A - 1/4-20 X 2-1/2 WAFER SHCS
8	B - .27 X 2-1/2 SOCKET WAFER A
4	C - .27 X 3 SOCKET WAFER A