

Model:

NCT37, NCCT37, NCRT37, NCBT37

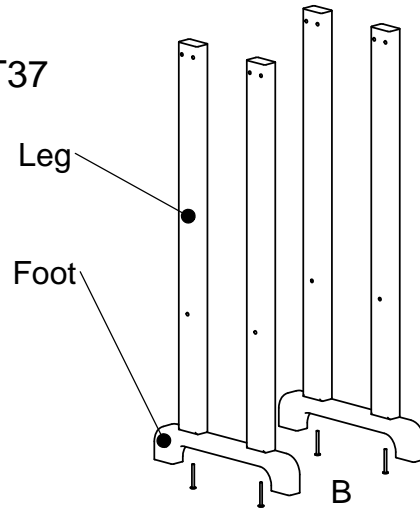
- (1) Table top
- (4) Leg
- (2) Foot
- (2) Brace
- (1) Umbrella support
- (1) Hardware pack

TOOLS NEEDED

4mm HEX KEY: INCLUDED

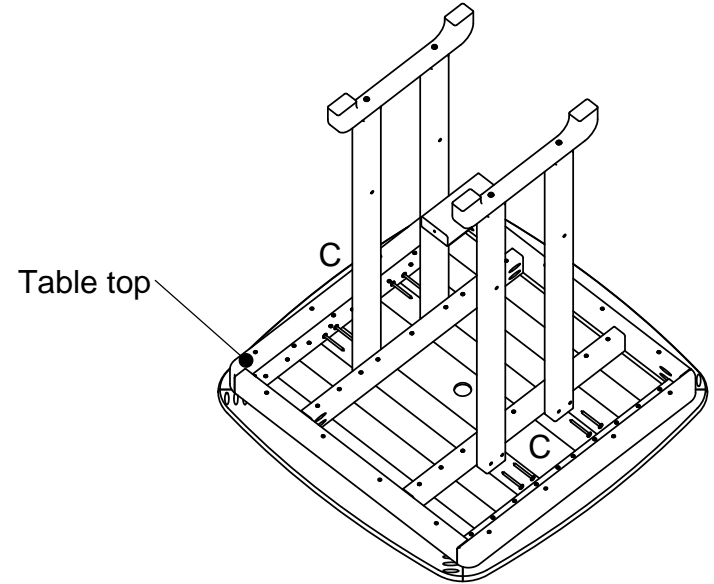
Step 1

Attach feet to legs using (4) 2¼" Chair bolts.



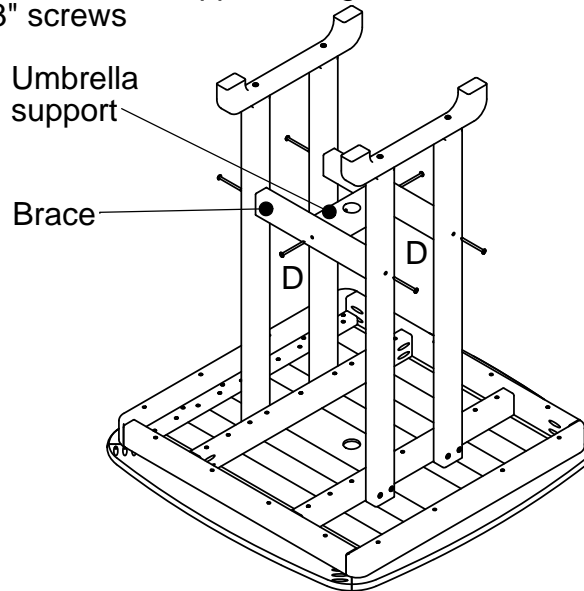
Step 2

Lay table top on flat surface. Attach the leg assemblies to the table frame using (8) .27x2½" screws *Do not tighten until last step



Step 3

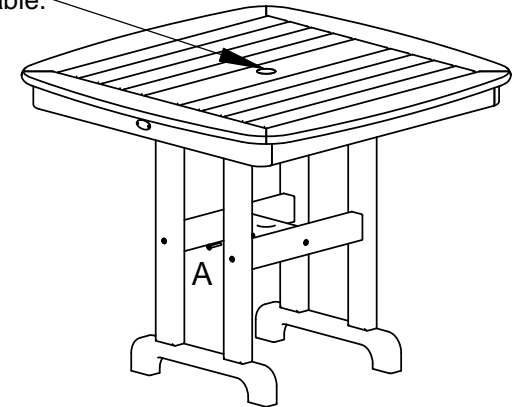
Attach the leg braces to the leg assemblies using (4) .27x3" screws
Attach the umbrella support using (2) .27x3" screws



Step 4

Set table upright and tighten all bolts. The 1½" Chair bolt secures the umbrella pole.

Removable table plug included in table.



Qty. Description

1	A - 1/4-20 X 1-1/2 WAFER SHCS
4	B - 1/4-20 X 2-1/4 WAFER SHCS
8	C - .27 X 2-1/2 SOCKET WAFER A
6	D - .27 X 3 SOCKET WAFER A