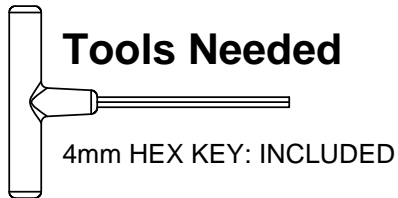
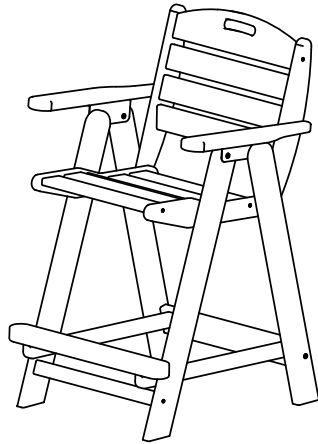


Model: NCB40

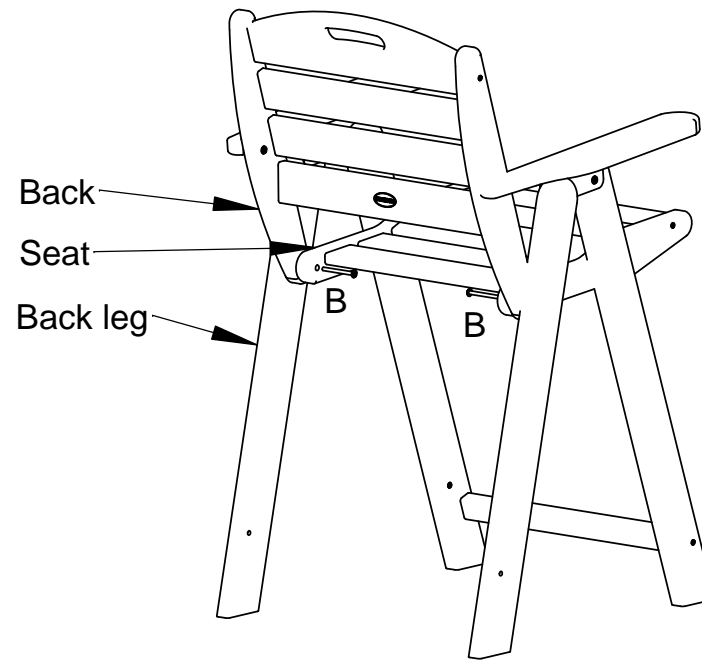
- (1) Chair
- (1) Footrest
- (1) Hardware pack



Qty.	Description
4	A - 1/4-20 X 1-3/4 WAFER SHCS
2	B - 1/4-20 X 2-1/2 WAFER SHCS

Step 1

Attach the back leg, seat and back together by using (2) 2½" chair bolts.



Step 2

Attach the footrest assembly using (4) 1¾" chair bolts.

