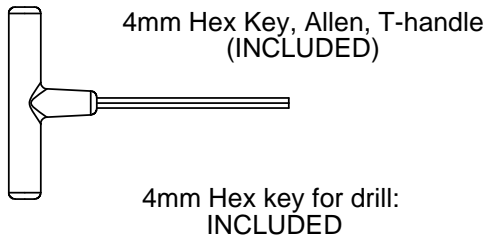


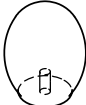
**Model: J147**


- (1) Hardware pack
- (2) Sideframes
- (2) Rocker bottoms
- (1) Back insert
- (1) Seat insert
- (1) Seat frame
- (2) Long braces
- (1) Short brace
- (1) Head piece

**TOOLS NEEDED**

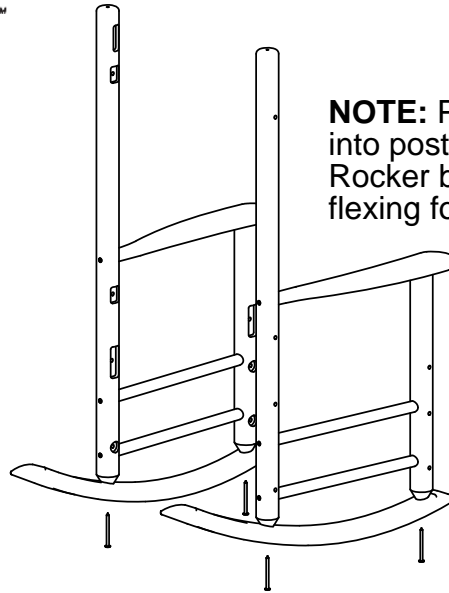


Qty.	Description
------	-------------

2	 Finial w/dowel screw
---	--

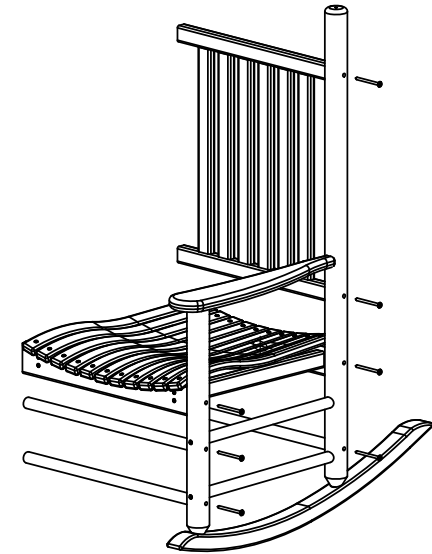
18	 .27 X 3 SOCKET WAFER A
----	--

**Step 1**  
Attach rocker bottoms to sideframes using (4) .27x3 wafer screws.

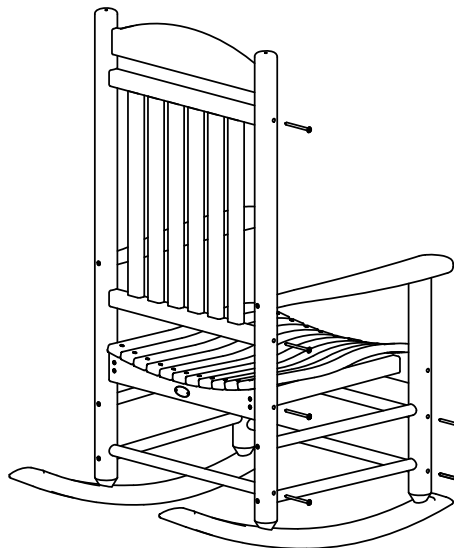


**NOTE:** Partially thread both screws into post before tightening. Rocker bottoms may require some flexing for proper fit.

**Step 2**  
Attach long braces, short brace, seat frame and back frame to one of the sideframes using (7) .27x3 wafer screws.  
**Note: front of seat is wider**



**Step 3**  
Insert head piece into top of post  
Repeat step 2 on other side



**Step 4**  
Attach finials to top of post

