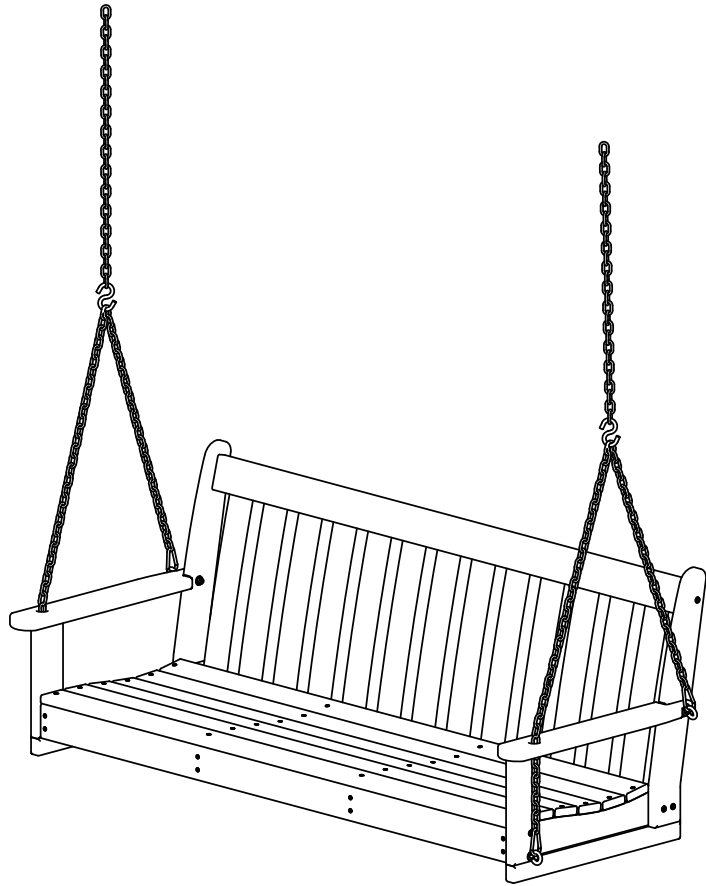


Model : GNS60

- (1) Seat
- (1) Back
- (2) Sideframes



QTY	DESCRIPTION
-----	-------------

8	1/4-20 X 1-3/4 WAFER SHCS
---	---------------------------

2	1/4-20 X 2-1/2 WAFER SHCS Qty 2
---	---------------------------------

4	5/16 x 4" Eyebolt Qty 4
---	-------------------------

8	5/16 X 3/4 OD FLAT WASHER Qty 8
---	---------------------------------

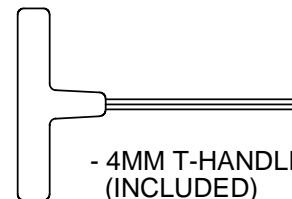
4	5/16-18 NYLOCK NUT Qty 4
---	--------------------------

2	.307 X 2-1/2 X 3/4 S-HOOK ZN Qty 2
---	------------------------------------

4	SNAP HOOK 1/4" Qty4
---	---------------------

4	5ft ZINC CHAIN QTY 4
---	----------------------

## TOOLS NEEDED

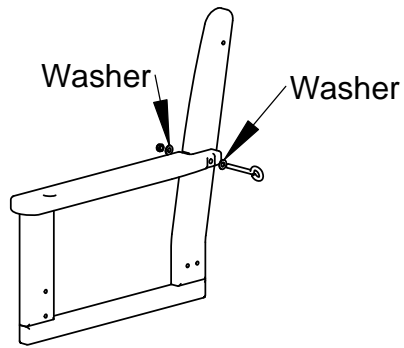


- 4MM T-HANDLE HEX KEY (INCLUDED)
- PHILLIPS HEAD SCREWDRIVER (SCREW GUN RECCOMENDED)

# GNS60 Swing Assembly

## Step 1

Finish attaching Arm to Leg using  
(1) 5/16 x 4 Eyebolt  
(1) 5/16 nut  
(2) 5/16 washer

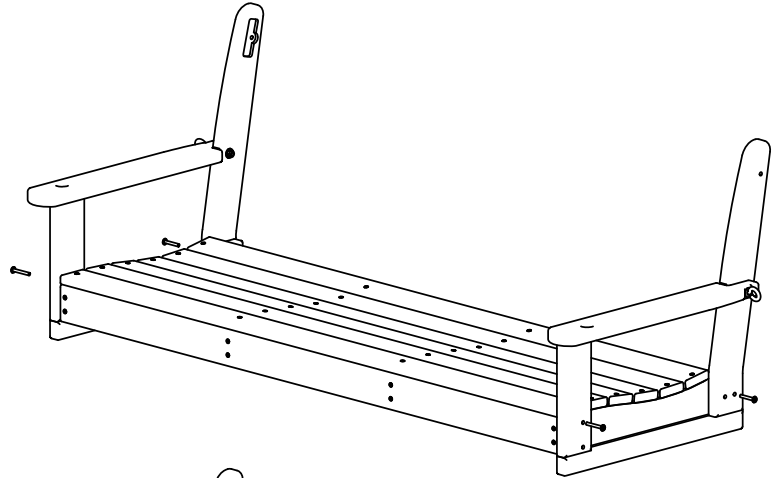


## Step 2

Repeat Step 1 for other Leg

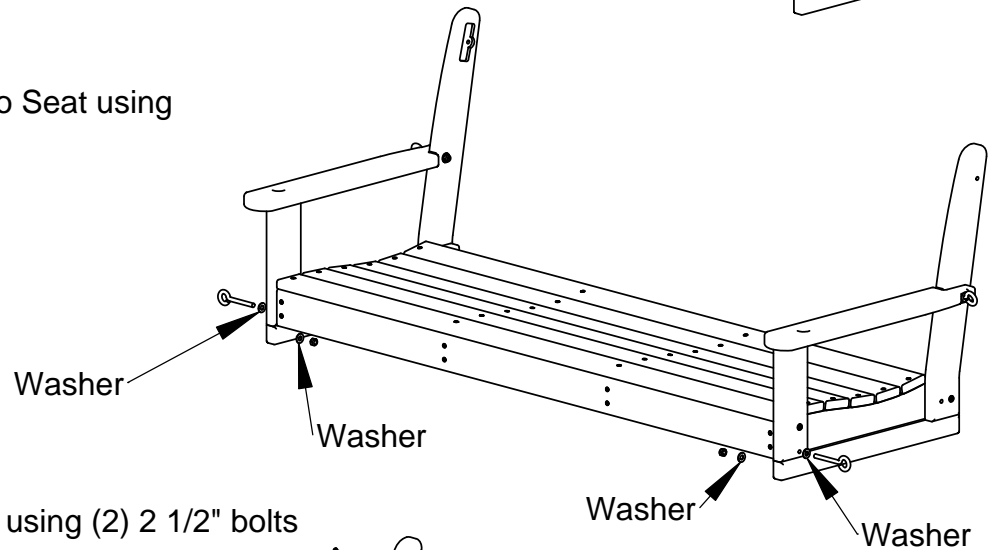
## Step 3

Attach Sideframes to Seat using  
(4) 1 3/4" bolts



## Step 4

Secure Sideframes to Seat using  
(2) 5/16 x 4 Eyebolt  
(2) 5/16 nut  
(4) 5/16 washer

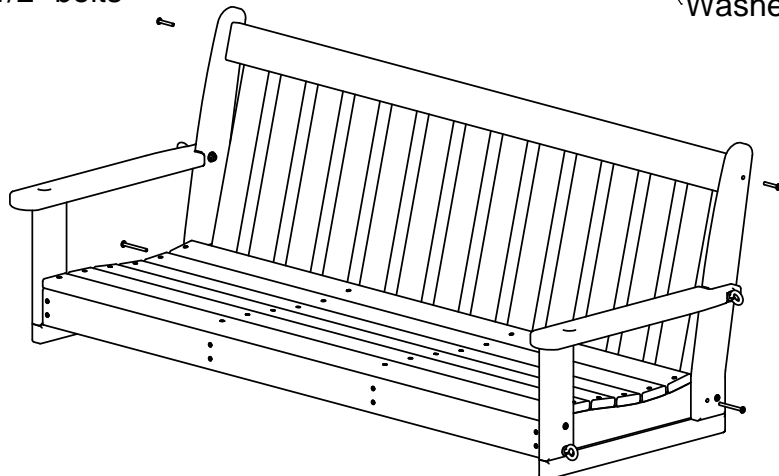


## Step 5

Attach Back to Seat using (2) 2 1/2" bolts

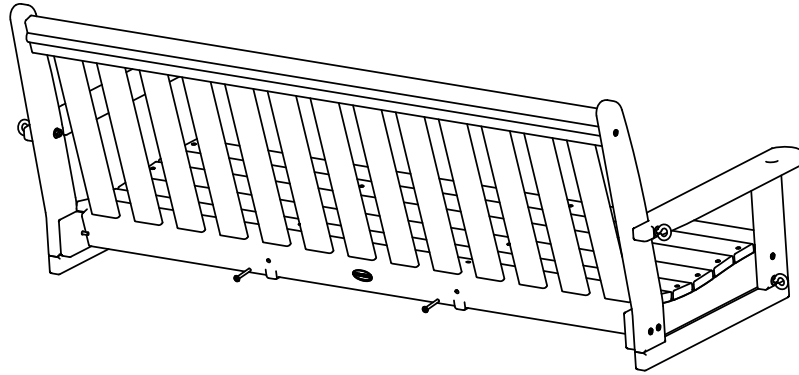
## Step 6

Attach Side Frames to Back  
using (2) 1 1/2" bolts



**Step 7**

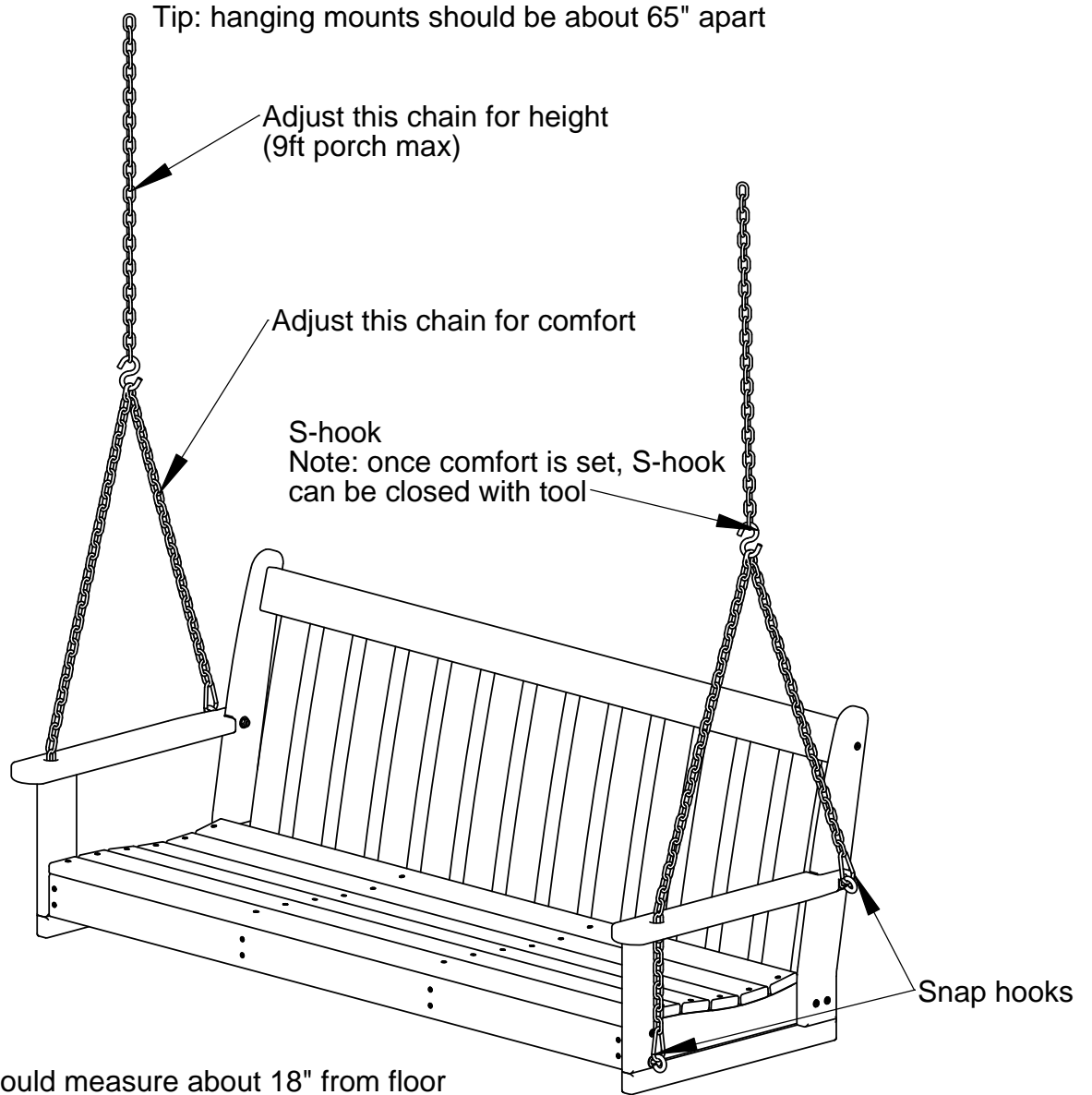
Attach Back to seat using  
(2) 1 3/4" bolts



**Step 8**

Hang swing

Tip: hanging mounts should be about 65" apart



Tip: Seat should measure about 18" from floor