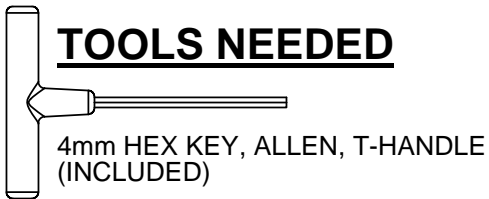


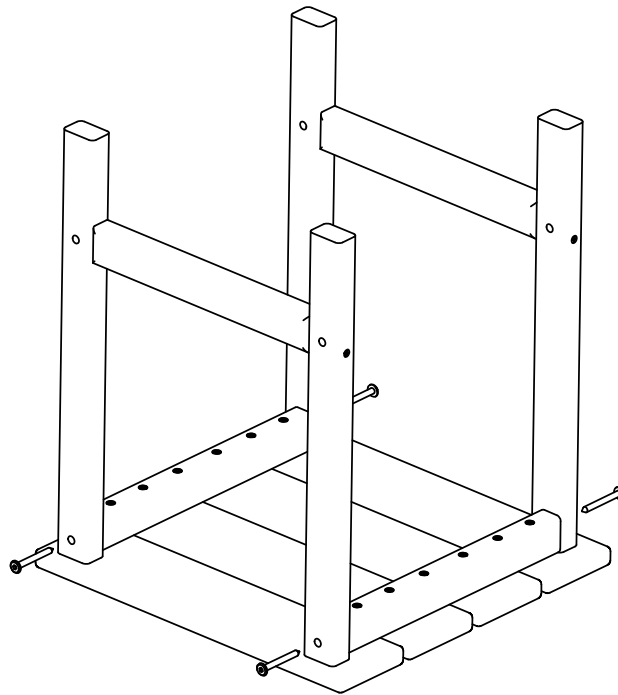
Model: ECT18, ECT26

- (1) Table top
- (2) Sideframes
- (2) Braces
- (1) Hardware pack

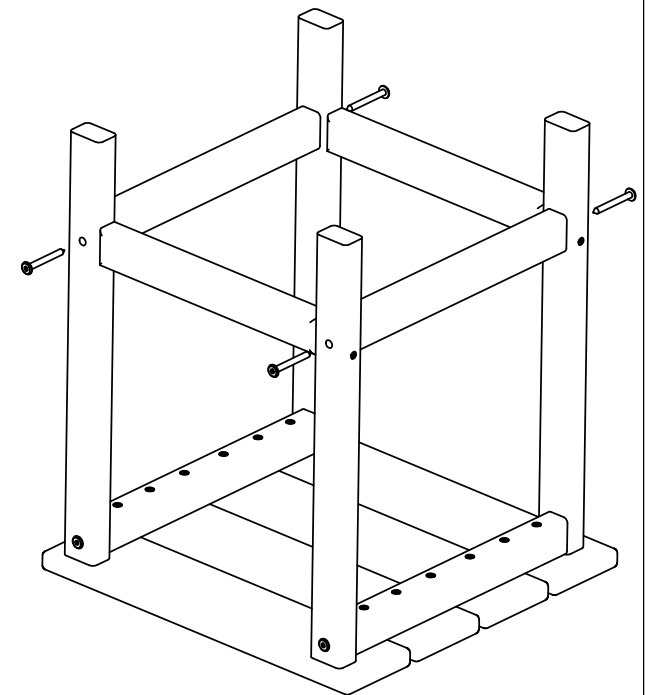
**TOOLS NEEDED**



**Step 1**  
Attach sideframes to table top  
using (4) 2" screws



**Step 2**  
Attach braces to sideframes  
using (4) 2" screws



Qty.	Description
8	A - .27 X 2 SOCKET WAFER A