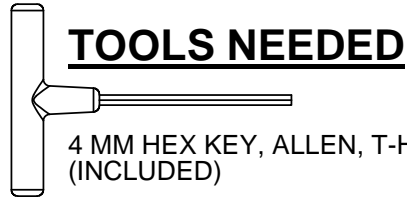
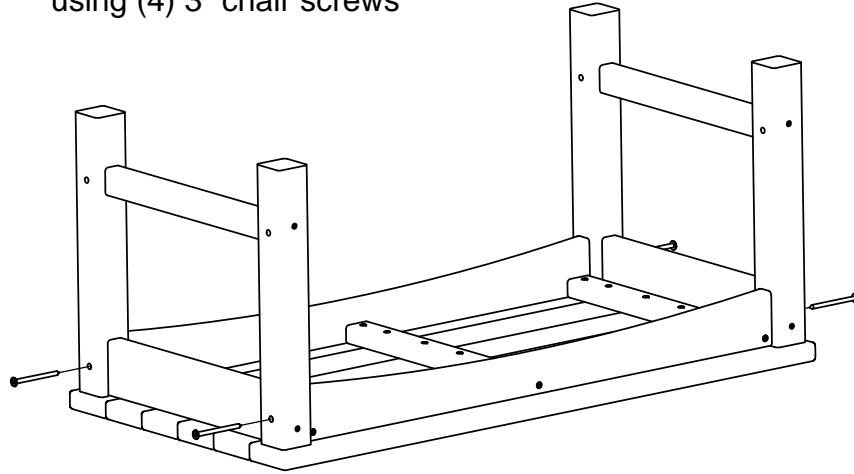


Model: CLT1836

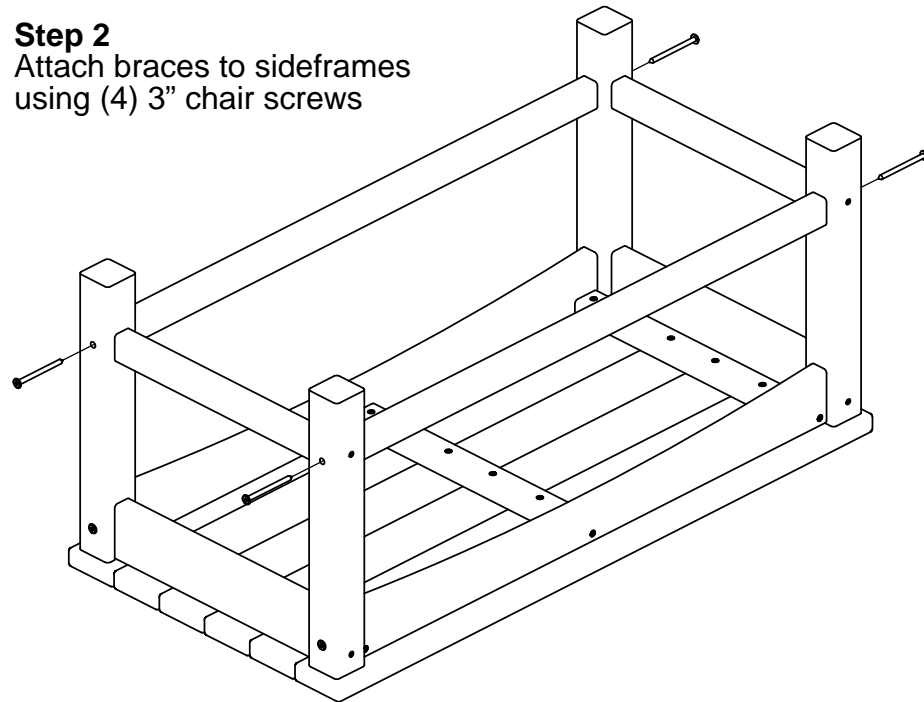
- (2) Sideframes
- (2) Braces
- (1) Table top
- (1) Hardware pack

**Step 1**  
Lay table top face down.  
Attach sideframes to table top  
using (4) 3" chair screws



4 MM HEX KEY, ALLEN, T-HANDLE  
(INCLUDED)

**Step 2**  
Attach braces to sideframes  
using (4) 3" chair screws



Qty.	Description
------	-------------

8

A - .27 X 3 SOCKET WAFER A

