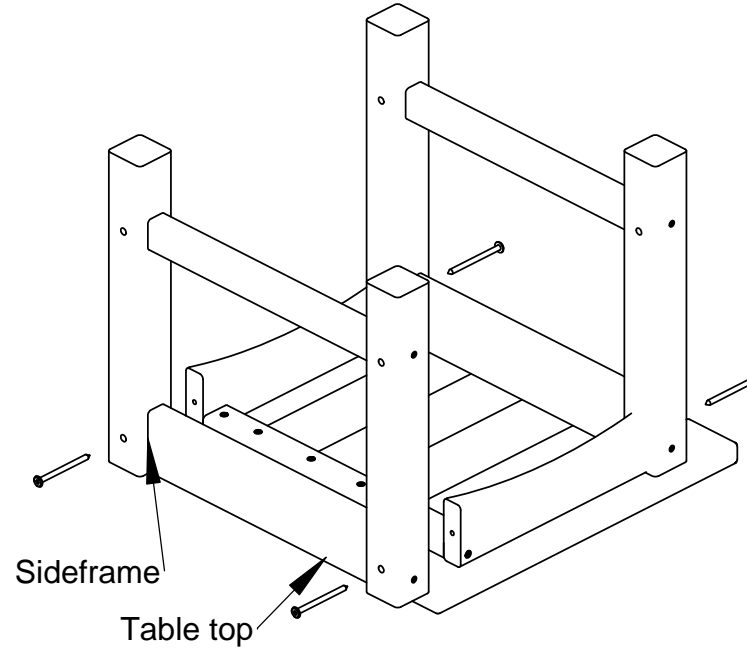


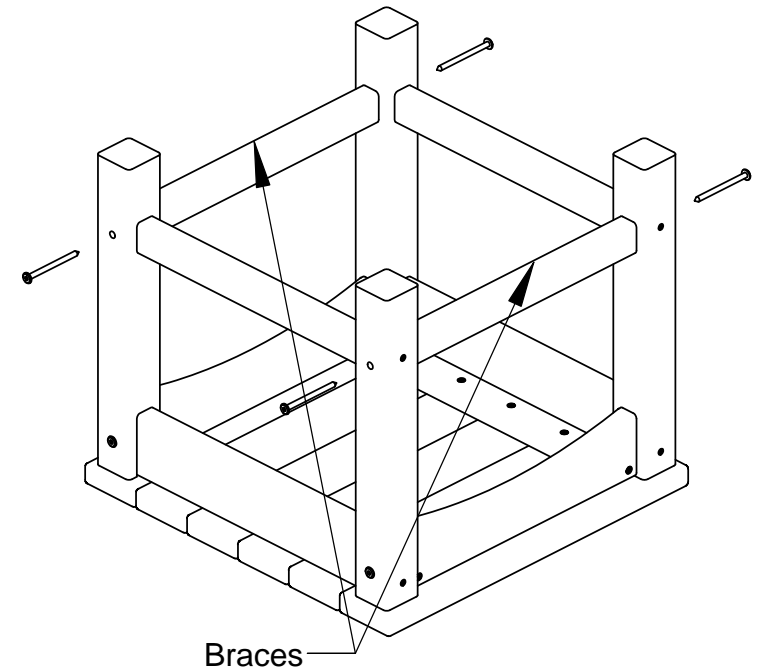
Model: CLT1818

- (2) Sideframes
- (2) Braces
- (1) Table top
- (1) Hardware pack

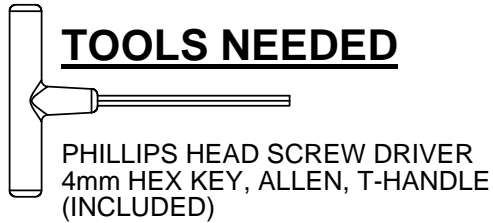
Step 1
Lay table top face down.
Attach sideframes to table top
using (4) 3" chair screws



Step 2
Attach braces to sideframes
using (4) 3" chair screws



TOOLS NEEDED



Qty.	Description
------	-------------

8	A - .27 X 3 SOCKET WAFER A
---	----------------------------