

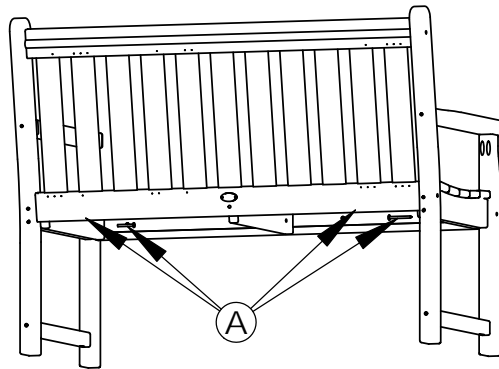


Intelligent Design™

Assembly Instructions

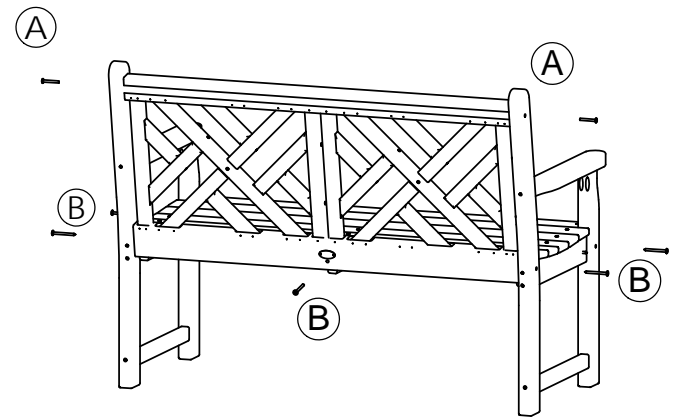
Model: CDB48

Step 1
Attach sideframes to seat
using (4) 1 3/4" chair bolts (A).
DO NOT TIGHTEN!!



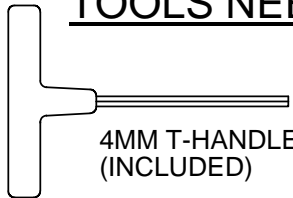
Step 2
- Attach back to sideframes
using (2) 1 3/4" chair bolts (A)
into the tube on top and
(4) 2 1/2" screws (B) on bottom

- Attach center of the back to
the seat using (1) 2 1/2" screw (B)



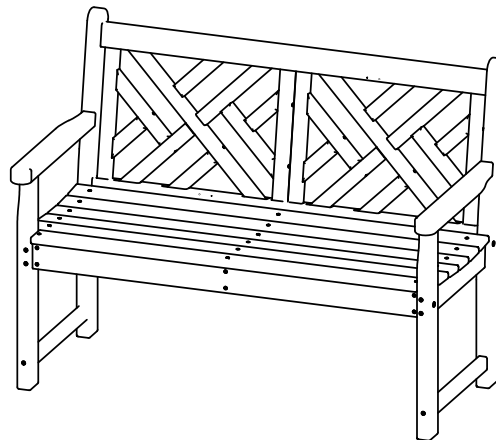
- (1) Seat
- (1) Back
- (2) Sideframes
- (1) Hardware pack

TOOLS NEEDED



4MM T-HANDLE HEX KEY
(INCLUDED)

Step 3
Tighten the 1 3/4" chair bolts
from Step 1



Qty. Description

6 A - 1/4-20 X 1-3/4 WAFER SHCS

5 B - .27 X 2 1/2 SOCKET WAFER "A"