



Intelligent Design™

# Assembly Instructions

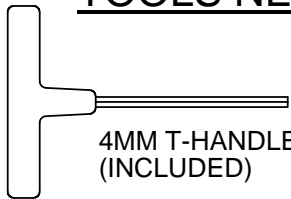
Model: CDB24

**Step 1**  
Attach sideframes to seat  
using (4) 1 3/4" chair bolts (A).  
DO NOT TIGHTEN!!

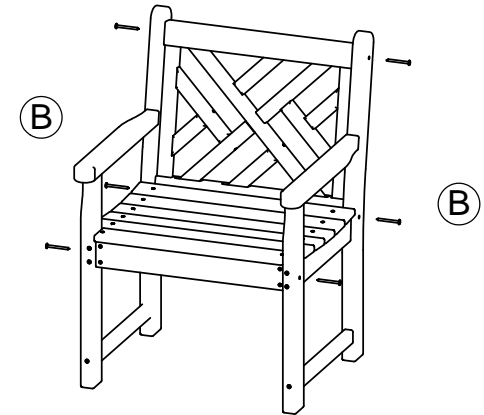
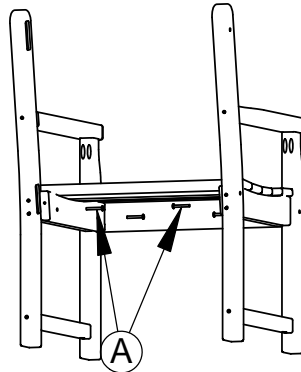
**Step 2**  
- Attach sideframes to back  
and seat using (6) 2 1/2" screws (B)

- (1) Seat
- (1) Back
- (2) Sideframes
- (1) Hardware pack

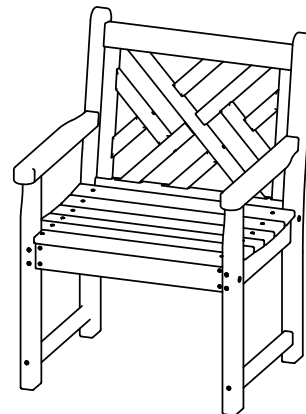
## TOOLS NEEDED



4MM T-HANDLE HEX KEY  
(INCLUDED)



**Step 3**  
Tighten the 1 3/4" chair bolts  
from Step 1



Qty. Description

4 A - 1/4-20 X 1-3/4 WAFER SHCS

6 B - .27 X 2 1/2 SOCKET WAFER "A"