



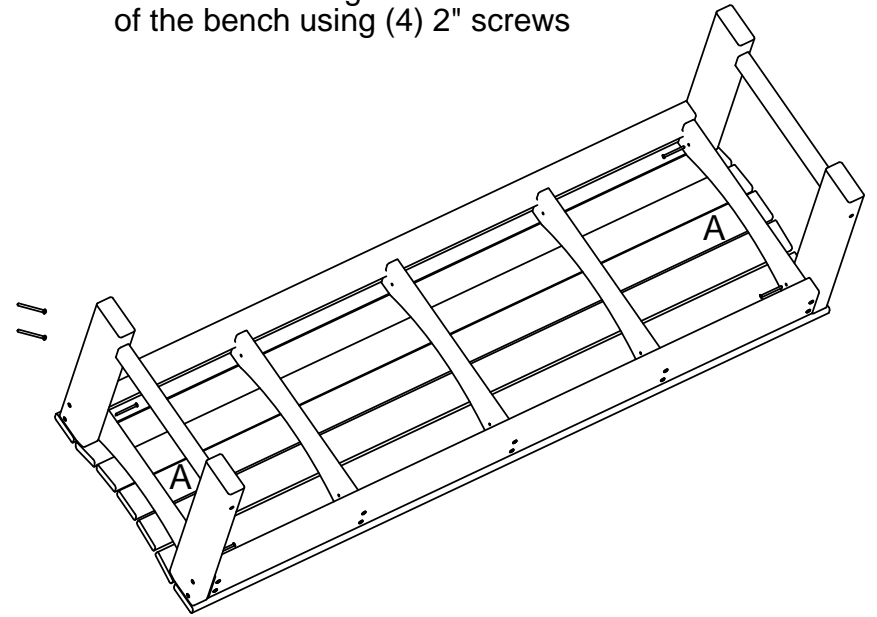
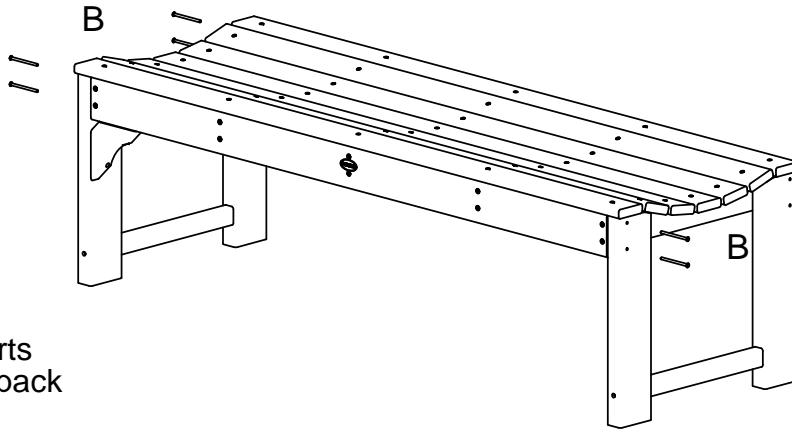
Intelligent Design™

Model: BAB160

**Step 1**  
Attach legs to seat using  
using (8) 3" screws

**Step 2**  
Attach seat to legs from the inside  
of the bench using (4) 2" screws

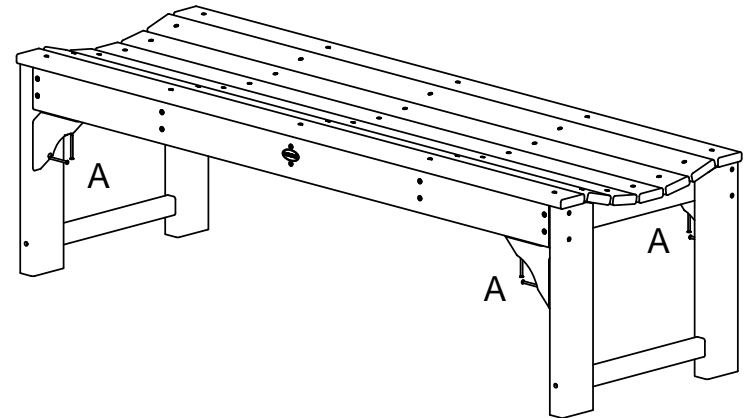
- (1) Seat
- (2) Legs
- (4) Leg supports
- (1) Hardware pack

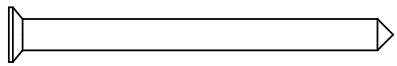


### TOOLS NEEDED

Phillips head screwdriver  
(Screw gun recommended)

**Step 3**  
Attach leg supports using  
(8) 2" screws



Qty.	Description
12	A - 8 X 2 PHIL FLAT SCREW 
8	B - 10 X 3 PHIL FLAT SCREW 