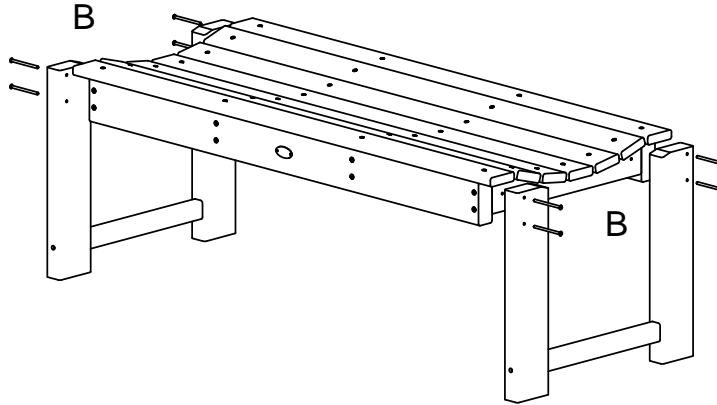


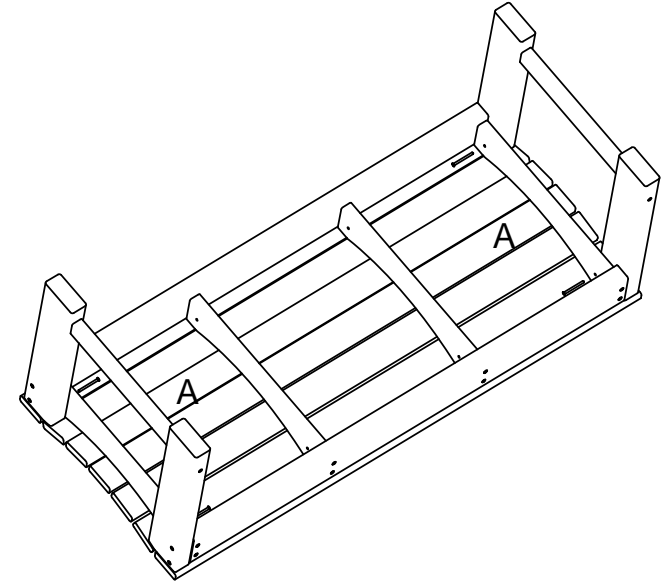
Model: BAB148

Step 1
Line up and attach legs to seat using (8) 3" screws



- (1) Seat
- (2) Legs
- (4) Leg supports
- (1) Hardware pack

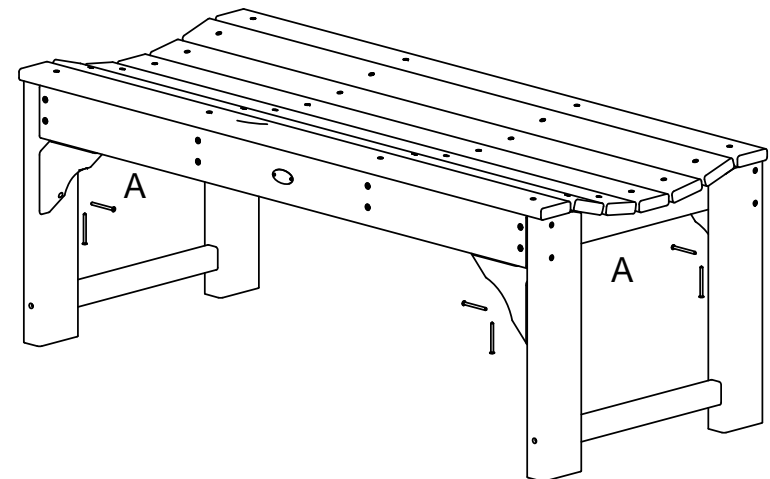
Step 2
Attach seat to legs from the inside of the bench using (4) 2" screws



TOOLS NEEDED

Phillips head screwdriver
Screw gun recommended

Step 3
Attach leg supports using (8) 2" screws



Qty.	Description
12	A - 8 X 2 PHIL FLAT SCREW
8	B - 10 X 3 PHIL FLAT SCREW