

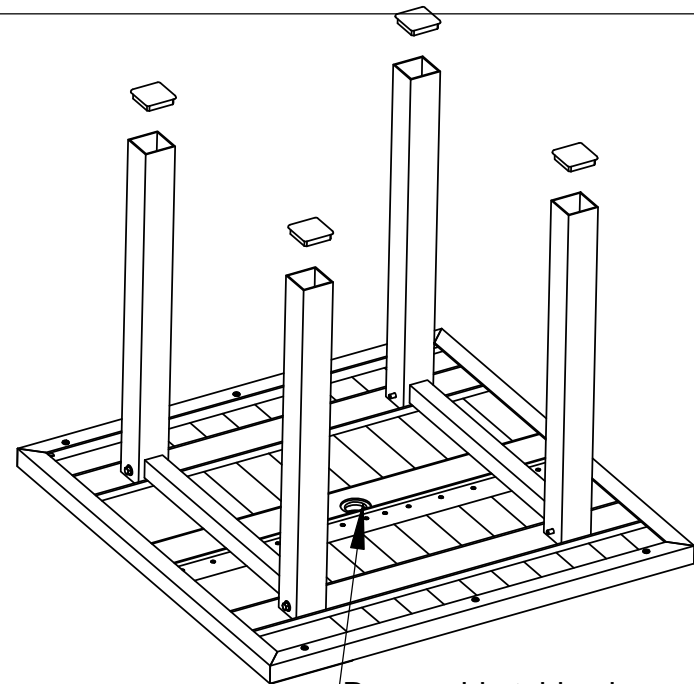
Model: AT36, ATR36, ATB36, AT36-NH

- ___ (1) Table top with slats
- ___ (2) Leg Frames
- ___ (1) Hardware Pack

TOOLS NEEDED

(2) 1/2" Sockets or wrenches

Step 1
Slide legs over blocks



Removable table plug included with table assembly. (Exclude NH Models)

Step 2
Attach legs to blocks using hardware configuration shown below

Qty.	Description
4	5/16-18 X 3 HEX CAP SCREW
4	5/16-18 NYLOCK NUT
8	5/16 X 3/4 OD FLAT WASHER

