

Model: 3800

- ___ (1) Bench top with slats
- ___ (2) Leg Frames
- ___ (1) Hardware Pack

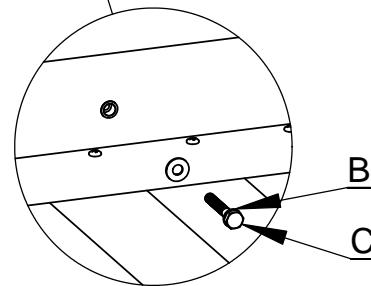
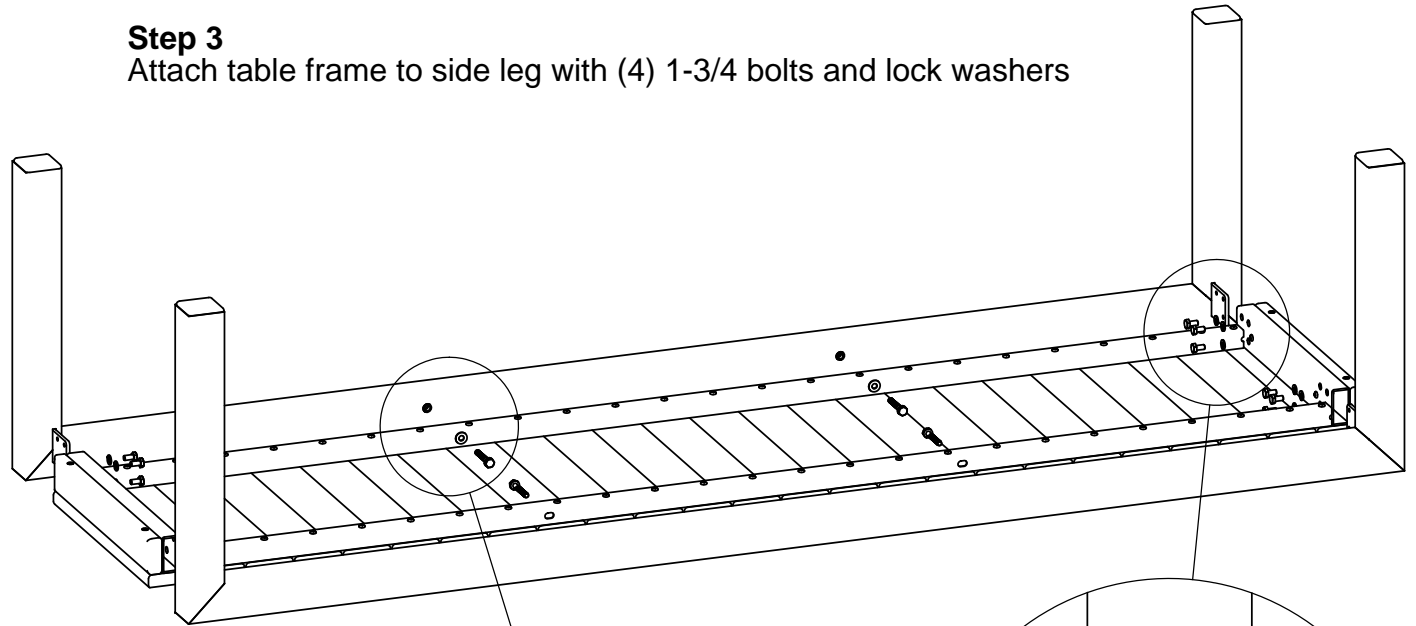
TOOLS NEEDED

7/16 Wrench

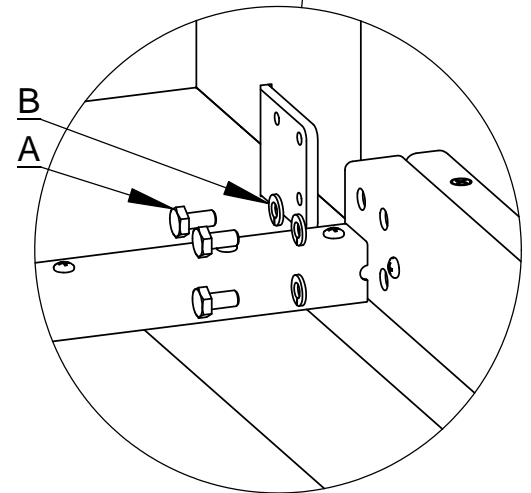
Step 1
Lay bench top on flat surface

Step 2
Attach leg frames to the bench top using
(12) 1/2 bolts and lock washers

Step 3
Attach table frame to side leg with (4) 1-3/4 bolts and lock washers

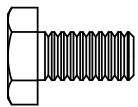


DETAIL C
SCALE 1 : 5



DETAIL B
SCALE 1 : 3

| Qty. | Description |
|------|-------------|
|------|-------------|

| | |
|----|--|
| 12 |  A - 1/4-20 X 1/2 HEX CAP SCREW |
|----|--|

| | |
|----|---|
| 16 |  B - 1/4" SPRING LOCK WASHER |
|----|---|

| | |
|---|--|
| 4 |  C - 1/4-20 X 1-3/4 HEX CAP SCREW |
|---|--|

