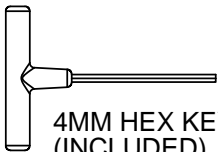


MODEL: 1911 - 1912

- (2) Side frames RH/LH
- (1) Seat assembly
- (1) Back assembly
- (1) Medallion brace
- (1) Foot rest
- (1) Hardware pack

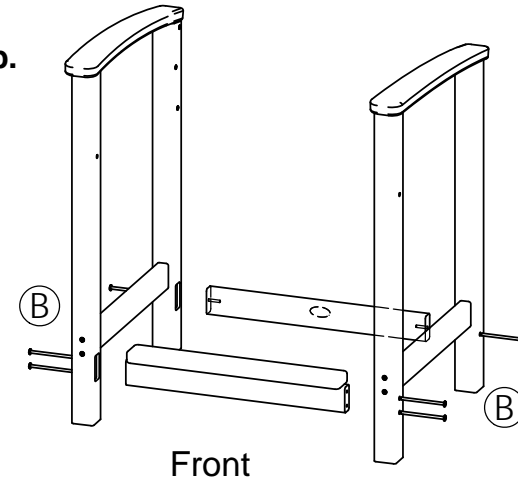
TOOLS NEEDED



4MM HEX KEY, ALLEN, T-HANDLE
(INCLUDED)

STEP 1
Attach brace and foot rest into pockets on side frames using (6) 3" screws.

Do not tighten screws until last step.



STEP 2
Attach seat to side frames using (2) 4" screws for front leg and (2) 1-3/4 bolts for back leg.

STEP 3
Attach back assembly to side frames using (4) 1-3/4 bolts.

Tighten all screws.

QTY DESCRIPTION

6	A - 1/4-20 X 1-3/4 WAFER SHCS
6	B - .27 X 3 SOCKET WAFER "A"
2	C - .27 X 4 SOCKET WAFER "A"

