



# Vented Gas Log Set

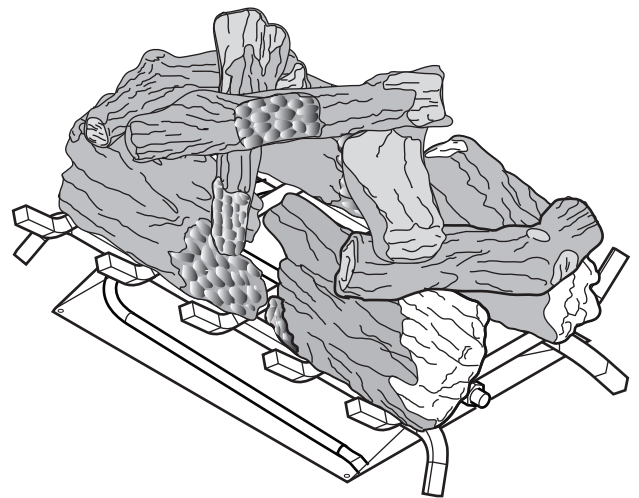
**Models: VWF18ST, VWF24ST**

**Installation & Operating Instructions**

## WARNINGS

If the information in this manual is not followed exactly, a fire or explosion may result causing property damage, personal injury or loss of life.

- Do not store or use gasoline or other flammable vapors and liquids in the vicinity of this or any other appliance.
- **WHAT TO DO IF YOU SMELL GAS**
  - Do not try to light any appliance.
  - Do not touch any electrical switch; do not use any phone in your building.
  - Immediately call your gas supplier from a neighbor's phone. Follow the gas supplier's instructions.
  - If you cannot reach your gas supplier, call the fire department.
- Installation and service must be performed by a qualified installer, service agency or the gas supplier.



This gas log set is to be installed only in a solid-fuel burning fireplace with a working flue constructed of noncombustible material.

Approved to ANSI Z21.60



**INSTALLER:** Leave this manual with the appliance.  
**CONSUMER:** Retain this manual for future reference.

Thank you and congratulations on your purchase of an MHSC Log Set.

PLEASE READ THE INSTALLATION AND OPERATION INSTRUCTIONS BEFORE USING THE APPLIANCE!

IMPORTANT: Read all instructions and warnings carefully before starting installation.

Failure to follow these instructions may result in a possible fire hazard and will void the warranty.

<b>Important Safety Information</b> .....	<b>3</b>	<b>Log Placement</b> .....	<b>11</b>
<b>Product Specifications</b> .....	<b>4</b>	Fill the Burner Pan .....	11
Gas Inlet Pressure .....	4	Placement of Glowing Embers.....	11
Minimum Hearth Dimensions.....	4	VWF18ST and VWF24ST Log Placement.....	11
<b>Getting Started</b> .....	<b>5</b>	<b>Operating Instructions</b> .....	<b>13</b>
<b>Chimney Requirements</b> .....	<b>5</b>	Millivolt Control Lighting Instructions .....	14
<b>Placement in a Fireplace with a Restrictive Barrier</b>	<b>6</b>	<b>Flame Appearance</b> .....	<b>15</b>
<b>Installation</b> .....	<b>7</b>	<b>Fireplace Draft Test</b> .....	<b>16</b>
Damper Stop Installation.....	7	<b>Cleaning and Servicing</b> .....	<b>16</b>
Before Installing the Appliance.....	7	<b>Replacement Parts Lists</b> .....	<b>17</b>
Install Valve Cover .....	8	Assembly .....	17
<b>Wiring - Millivolt</b> .....	<b>9</b>	Logs .....	18
Check System Operation .....	9	<b>Massachusetts Residents Only</b> .....	<b>22</b>
<b>Connecting the Gas</b> .....	<b>10</b>	<b>Warranty</b> .....	<b>23</b>
<b>Millivolt Control</b> .....	<b>10</b>		



**NATIONAL FIREPLACE INSTITUTE**  
**CERTIFIED**  
[www.nficertified.org](http://www.nficertified.org)

We recommend that our gas hearth products be installed and serviced by professionals who are certified in the U.S. by the National Fireplace Institute® (NFI) as NFI Gas Specialists.

**WARNING**

**Never connect unit to private (non-utility) gas wells. This gas is commonly known as wellhead gas.**

**INSTALLER**

Please leave these instructions with the appliance.

**IMPORTANT**

**Read these instructions carefully before installing or trying to operate this vent-free gas heater.**

**OWNER**

Please retain these instructions for future reference.

**WARNING**

**This product must be installed by a licensed plumber or gas fitter when installed within the Commonwealth of Massachusetts.**

**WARNING**

- **Any change to this heater or its controls can be dangerous.**
- **Improper installation or use of the heater can cause serious injury or death from fire, burns, explosion or carbon monoxide poisoning.**
- **Do not allow fans to blow directly into the stove. Avoid any drafts that alter burner flame patterns.**
- **Do not use a blower insert, heat exchanger insert or other accessory, not approved for use with this heater where applicable.**

1. The installation, combustion and ventilation air must conform with local codes or, in the absence of local codes, with the National Fuel Gas Code, ANSI Z223.1, or the CSA-B149 Installation code (series). This unit complies with ANSI Z21.60 decorative gas appliance for installation in solid-fuel burning fireplace.
2. Installation and repair should be done by a qualified service person. MHSC Vented Gas Logs must be installed only in a masonry or a UL 127 solid-fuel fireplace with minimum venting requirements, see installation section.
3. To prevent malfunction, gas log set and flue should be cleaned at least annually by a professional service person. More frequent cleaning may be required due to excessive lint from carpeting, etc. It is imperative that control compartments, burners and circulating air passageways be kept clean.
4. **A damper clamp must be installed to provide the minimum permanent vent opening to vent flue products, Refer to installation instructions.**
5. Never burn solid fuels in a fireplace where a gas log set is installed.
6. ***This appliance must NOT be used with glass doors in the closed position.*** A fireplace screen must be in place when the log set is burning. Provisions for adequate combustion air must be provided. Adequate combustion air usually results in all flames curling into the fireplace away from the screen and up the flue.
8. Keep room area clear and free from combustible materials, gasoline and other flammable vapors and liquids.
9. Children and adults should be alerted to the hazard of high surface temperature and should stay away to avoid burns or clothing ignition.

10. Young children should be carefully supervised when they are in the same room with the gas log set in operation.
11. Do not place clothing or other flammable material near the fireplace when the gas logs are in use.
12. Do not use this gas log set if any part has been underwater. Immediately call a qualified service technician to inspect the gas logs and replace any part of the control system and any gas control which has been under water.
13. The gas log set must be isolated from the gas supply piping system by closing its individual manual shutoff valve during any pressure testing of the gas supply piping system at test pressures equal to or less than 1/2 psig (3.5kPa).
14. Secure gas log set to fireplace.
15. This log set will burn off the paint on the front grate bar. **Note: See cleaning section for refurbishing.**
16. **FOR MASSACHUSETTS RESIDENTS ONLY:**

Installation of this vented gas log in the Commonwealth of Massachusetts requires the damper be permanently removed or welded in the full open position. In addition, a naturally vented gas log may not be installed in a bedroom or bathroom in the Commonwealth of Massachusetts. Flex line installation must not exceed 36".

**WARNING**

**This appliance is for installation only in a solid fuel burning fireplace (masonry fireplace or manufactured fireplace)**

**GAS INLET PRESSURE**

The minimum inlet gas supply pressure is 4" w.c. for natural and 10" w.c. for LP.

The maximum inlet gas supply pressure for this log set is 10" w.c. for natural and 13" w.c. for LP.

The manifold pressure is 4" w.c. for natural and 10" w.c. for LP.

**Nominal Rates (BTU/Hr)**

VWF18N/P	60,000	VWF24N	70,000
		VWF24P	60,000

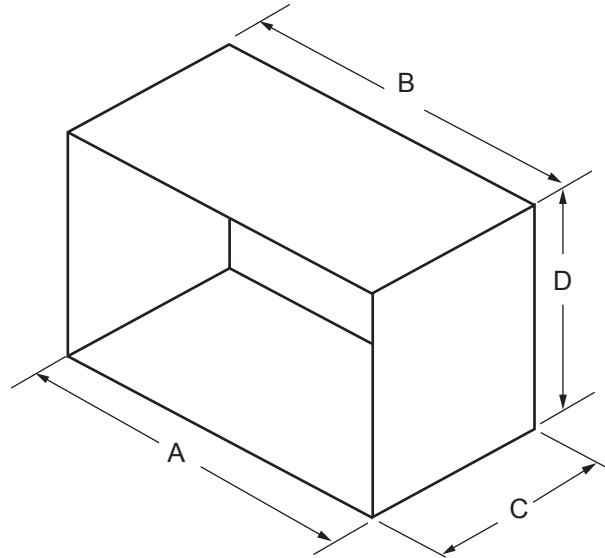
**NOTE:** Actual performance, flame height, BTU/Hr will vary with specific installation, gas pressure, shutoff valve position (fully open), valve type, and firebox draft conditions.

**MINIMUM HEARTH DIMENSIONS**

Each gas log set requires

- a minimum for the front opening
- a minimum height
- a minimum depth

**IMPORTANT:** It is critical that the minimum width and depth are met. *Figure 1*



Model	A	B	C	D
VWF18ST	28" (711 mm)	28" (711 mm)	18" (457 mm)	16" (406 mm)
VWF24ST	34" (864 mm)	34" (864 mm)	18" (457 mm)	16" (406 mm)

**Figure 1 -  
Minimum Hearth Dimensions**

**MAKE SURE YOU HAVE RECEIVED ALL PARTS**

Check your packing list to verify that all listed parts have been received. You should have the following:

**BURNER - GRATE ASSEMBLY 18" OR 24"**

- Burner and Grate Weldment Assembly
- Lava Rocks (x2)
- Glowing Embers (Rock Wool)
- Damper Clamp
- Vermiculite
- Installation /Operating Instructions
- 3/8" Aluminum tube with 3/8" 90° elbow, 1/2" to 3/8" tube fitting
- Control Cover
- Shield Plate

**18" OR 24" REFRACTORY LOGS**

- Individual Logs
- Installation Instructions

Carefully inspect the contents for shipping damage. If any parts are missing or damaged, immediately inform the dealer from whom you purchased the appliance. **Do not attempt to install any part of the appliance unless you have all parts in good condition.**

**ITEMS REQUIRED FOR INSTALLATION**

Ensure that the following items are available before proceeding with installation:

- External regulator (for propane/L.P.G. only)
- Shutoff valve
- Piping which complies with local codes
- Pipe wrench
- Pipe sealant approved for use with propane/L.P.G. (Resistant to sulfur compounds)
- Drill with masonry bit (for mounting to the floor)

**MINIMUM FREE OPENING AREA OF CHIMNEY DAMPER FOR VENTING**

<b>WARNING</b>	<p>The fireplace and gas logs function as a system. If the fireplace is not drafting properly and spilling into the room (check with a match or a smoke stick), reposition the damper clamp until the positive draft is obtained by opening the damper. If negative pressure in home prevents having a positive draft, contact your dealer for assistance.</p>
----------------	--

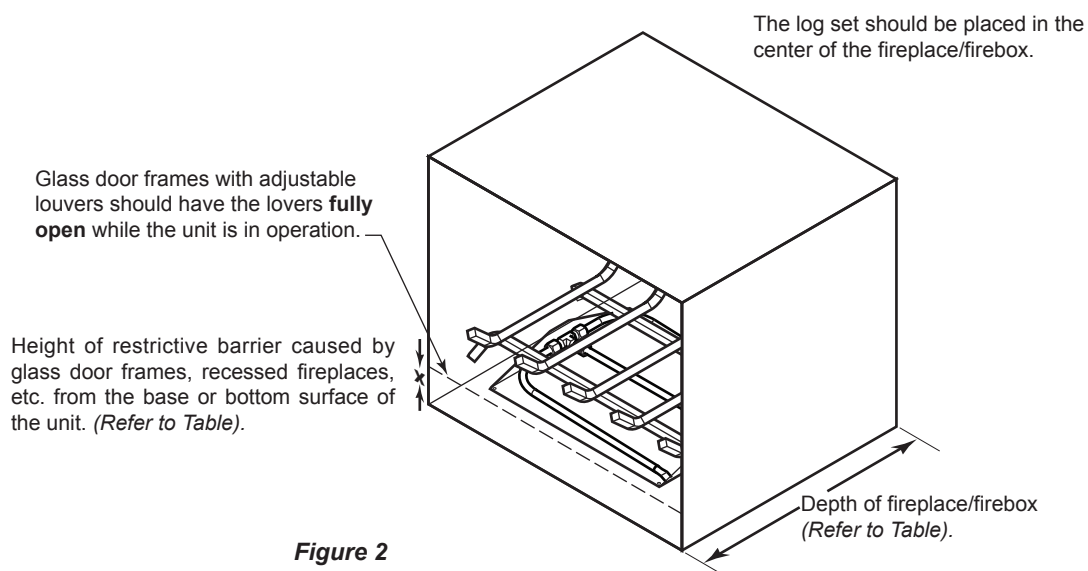
**MINIMUM CHIMNEY HEIGHT AND FLUE OPENING**

Chimney Height	Flue Opening
6'	64 sq in
8'	64 sq in
10'	64 sq in
15'	51 sq in
20'	51 sq in
30'	51 sq in

## IMPORTANT INFORMATION FOR THE INSTALLATION OF THIS GAS LOG SET

The following are guidelines for placing a VWFST log set in a fireplace that has a restrictive barrier along the bottom front opening of the fireplace. Some examples of barriers are glass/screen door frames and sunken/recessed fireplaces.

Height of Restriction (X)	Minimum Depth of Fireplace/Firebox
No restriction	18"
0 to 1½"	20"
Greater than 1½" to 3"	21"
Greater than 3"	Any barrier greater than 3" placed in front of the gas log set is not recommended by the manufacturer.



### WARNING

Barriers such as the bottom of a glass door frame placed in front of a gas log set can change the air flow characteristics of the fireplace which in turn can cause the unit to overheat and malfunction. Any deviation from the installation guidelines on this sheet will potentially void the warranty.

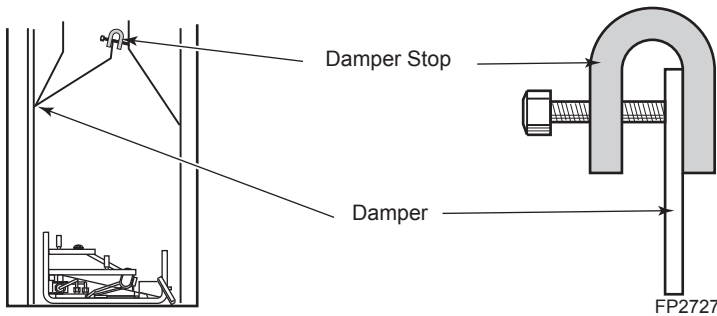
**NOTE:** Non combustible material such as refractory brick may be used to line the floor of the fireplace in order to raise the height of the gas log set in relation to a restrictive barrier.

**INSTALL AND OPERATE THE APPLIANCE AS DIRECTED IN THIS MANUAL**

**DAMPER STOP INSTALLATION**

A damper stop must be provided with the unit. The damper stop must be installed as shown in *Figure 3* to prevent full closure of the fireplace damper blade and provide a minimum flue opening, according to the table on Page 5.

Should the clamp not fit, or provide the required permanent opening from the table, have the damper cut to provide a minimum permanent opening or install a permanent stop.



**Figure 3 - Damper Stop Installation**

**FOR MASSACHUSETTS RESIDENTS ONLY**

Installation of this vented gas log set in the Commonwealth of Massachusetts requires the damper be permanently removed or welded in the fully open position. In addition, a naturally vented gas log may not be installed in a bedroom or bathroom in the Commonwealth of Massachusetts.

In compliance with ANSI Z21.60•CGA2.26 and National Fuel Gas Code, Section 6.

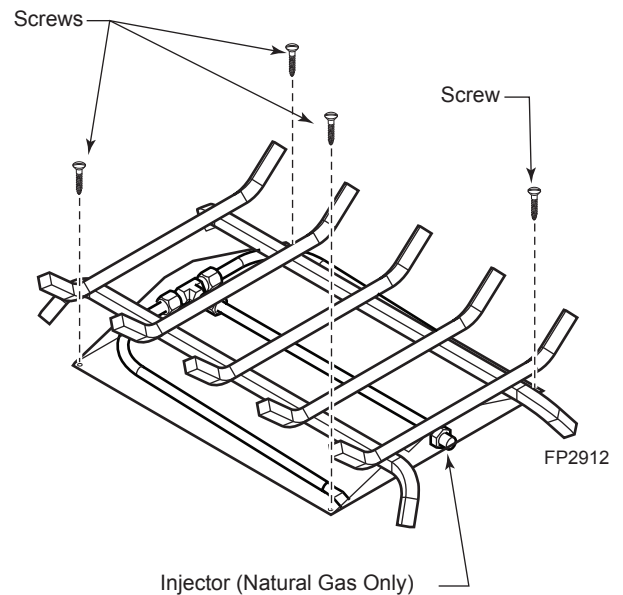
**BEFORE INSTALLING THE APPLIANCE**

- Turn off gas supply to fireplace or firebox.
- Clean the fireplace floor and chimney before installing the log set. Seal any ash clean-out doors to protect the unit from down drafts.

**ASSEMBLY PROCEDURE**

1. Place grate/burner assembly into firebox with pipe connection facing gas pipe located on one side of the unit.
2. Drill four (4) 5/32" diameter holes approximately 1½" deep.
3. Anchor grate burner to the floor using the screws provided.

**Proper installation of the grate is essential to prevent any movement of the gas logs and controls during operation.**

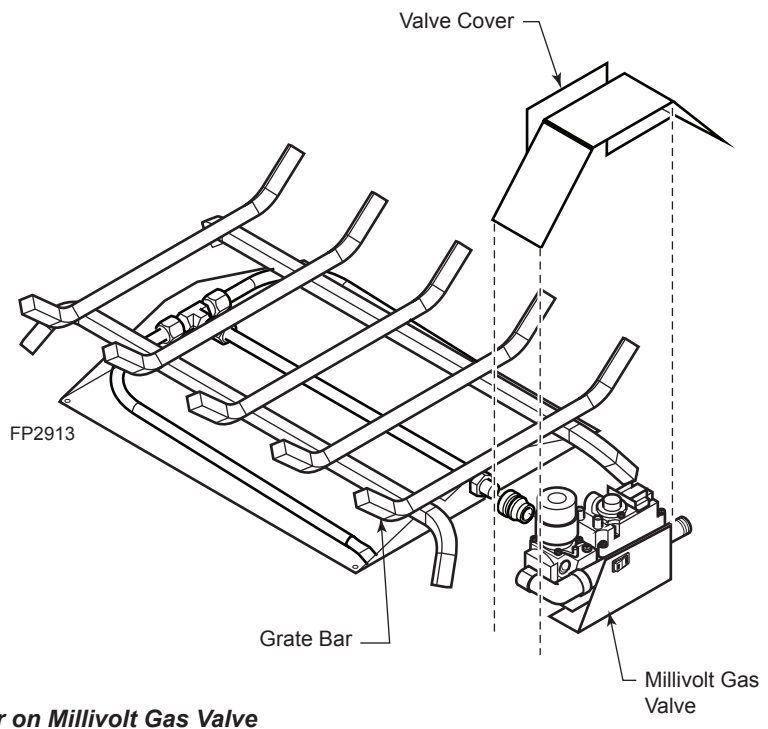


**Figure 4 - Secure Grate/Burner Assembly to Firebox Floor**

**INSTALL VALVE COVER**

**WARNING**  
Covers must be installed prior to operation to prevent overheating.

**NOTICE**  
Grate bar must not touch the gas valve.



**Figure 5 -  
Place Valve Cover on Millivolt Gas Valve**



**WARNING** Label all wires prior to disconnection when servicing controls. Wiring errors can cause improper and dangerous operation. Verify proper operation after servicing

**WARNING** Do not connect to 110 Volt supply

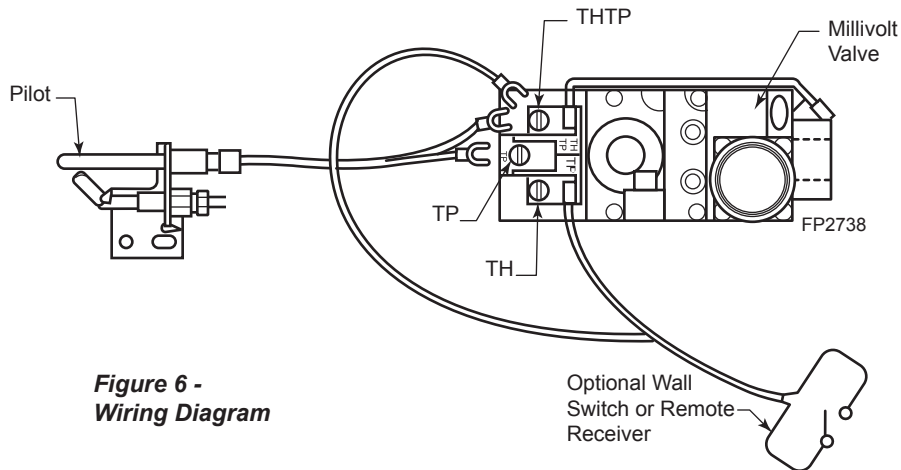


Figure 6 - Wiring Diagram

The Millivolt (thermopile) is a self powered combination gas control that does not require 110VAC to operate. Refer to Figure 6 and installation instructions provided with optional wall switch or remote control for wiring instructions. A maximum length of 15 feet of 18 awg two conductor wire is to be used for wall switch. Note switches must be suitable for Millivolt operation. The optional wall switch and remote receiver must be mounted outside the firebox. The remote receiver location must not exceed a temperature of 120 degrees.

**WARNING** Keep wiring away from heat source and hot surfaces.

**CHECKING SYSTEM OPERATION**

The Millivolt system and individual components may be checked with a Millivolt meter having a 0-1000MV range. Conduct each check shown in chart below by connection meter test leads to terminals as indicated.

Check Test	To Test	Connect Meter Leads to Terminals	Meter Reading Should Be
A	Complete System	TH & TH/TP	Min. 100 mV
B	Thermopile Output	TYP & THTP	Min. 325 mV

**A. COMPLETE MILLIVOLT SYSTEM CHECK**

**("A" READING - CONTACTS CLOSED - CONTROL KNOB "ON" - MAIN BURNER SHOULD BE COME ON)**

- a. If the reading is more than 100 Millivolts and the automatic valve still does not come on — replace the control.
- b. If the closed circuit reading ("A" reading) is less than 100 Millivolts, determine cause for low reading — proceed as follows:

**B. THERMOPILE OUTPUT READING CHECK**

**("B" READING - CONTACTS OPEN - MAIN BURNER OFF)**

- a. 325 Millivolts minimum. If the minimum Millivolt reading is not obtainable, readjust pilot for maximum Millivolt output. If Millivolt reading is still below minimum specified, replace thermopile.

**NOTICE**

**NOTICE:** A qualified gas appliance installer must connect the appliance to the gas supply. Consult all local codes before installation.

**WARNING**

Connecting directly to an unregulated propane/LPG tank can cause an explosion.

**CAUTION**

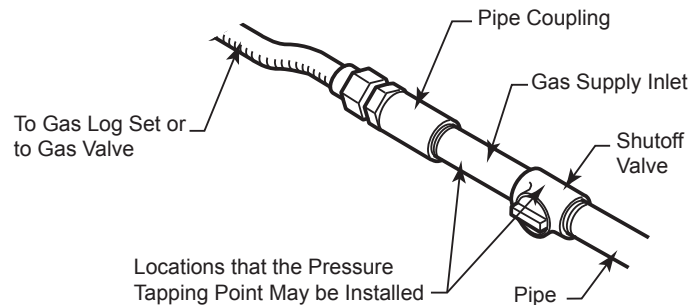
Use new black iron pipe, steel pipe, copper tubing, or internally tinned copper tubing. Copper or internally tinned copper tubing can only be used according to the National Fuel Gas Code, section 2.6.3, providing gas meets sulfide limits, and where permitted by local codes. Gas piping system must be sized to provide minimum inlet pressure at the maximum flow rate (BTU/Hr). Undue pressure loss will occur if the pipe is too small.

A manual shutoff valve must be installed upstream of the appliance. Union tee and plugged 1/8" NPT pressure tapping point should be installed upstream of the appliance. *Figure 7*

**IMPORTANT:** Hold appliance firmly with a wrench to prevent movement when connecting to inlet piping.

**Always use an external regulator for all propane/LPG gas logs only,** to reduce the supply tank pressure to a maximum of 13" w.c.

High pressure natural gas systems require a regulator to reduce supply pressure to 10" w.c.



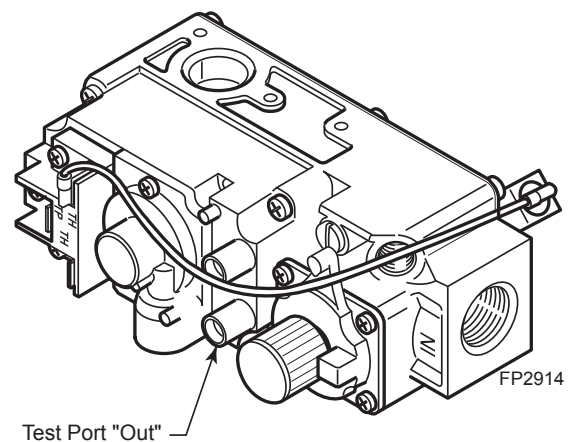
**Figure 7 -  
Gas Connection**

Test all gas joints from the gas meter to the appliance regulator for leaks using a gas analyzer or soap and water solution after completing connection. **DO NOT USE AN OPEN FLAME.**

Check the gas pressure with the appliance burning.

**MILLIVOLT CONTROL***Figure 8*

The valve regulator controls the burner pressure which should be checked at the pressure test point. Turn captured screw counter clockwise 2 or 3 turns and then place tubing to pressure gauge over test point (Use test port labeled "OUT"). After taking pressure reading, be sure and turn captured screw clockwise firmly to re-seal. Do not over torque. Check for gas leaks.



**Figure 8 -  
Pressure Test Point Location**

**FILL THE BURNER PAN**

Fill the burner pan with vermiculite to the center and sloped to the front/back of the burner pan. Excess vermiculite can spill forward or to the sides of the burner pan. Do not overfill the propane model. Do not cover the pilot with vermiculite or rock wool (embers).

**PLACE GLOWING EMBERS - ROCK WOOL**

The Wildfire flame appearance can vary due to differences in draft and fireplace configurations and ember placement. After installing the four (4) bottom logs, cover the entire top surface of the vermiculite in the burner pan with the rock wool supplied with unit. Tear the rock wool into pieces approximately 1/2" in size (roughly the size of a nickel) and cover the burner evenly. Do not use more rock wool than the amount supplied with the unit. To enhance the appearance of the Wildfire flame, it is recommended to form a mound of rock wool in the center of the burner, 2" to 3" high, visible through logs.

**PLACE DECORATIVE VOLCANIC ROCK**

Sprinkle volcanic rock around burner.

**WARNING**

The positioning of the logs is critical to the safe and cleanest operation of this gas log. Sooting and other problems may result if the logs are not properly positioned per instructions.

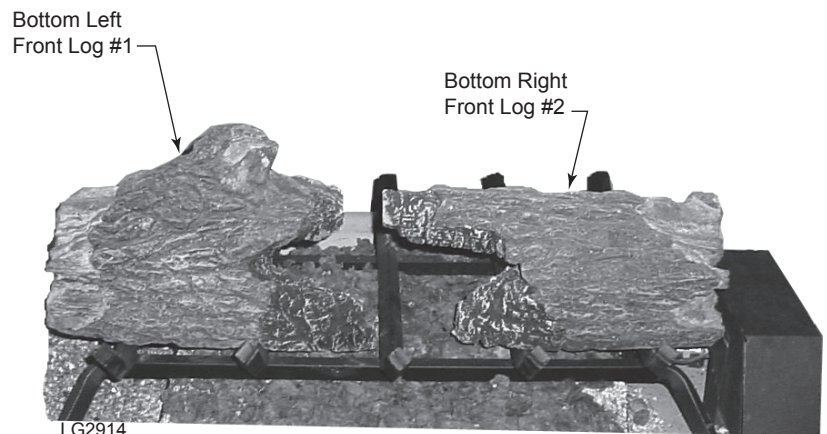
Failure to position the parts in accordance with diagrams below or to not use only parts specifically approved for this log set may result in property damage or personal injury.

**DO NOT SPRINKLE ON BURNERS, EMBER BED, PILOT OR LOGS.**

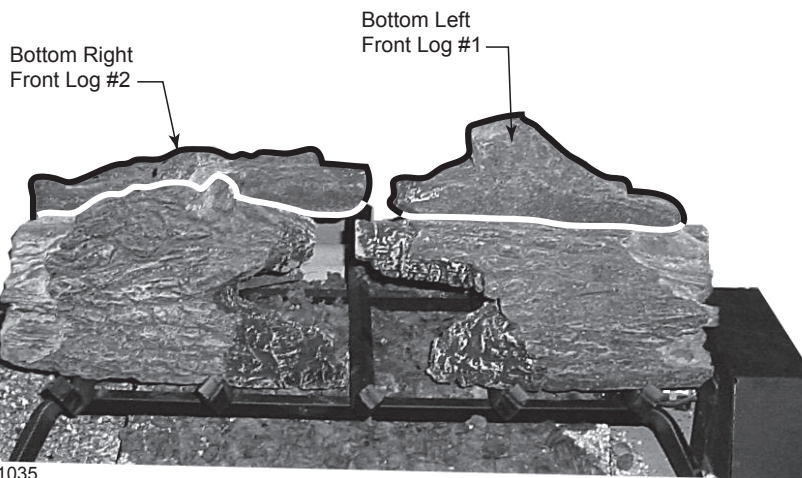
**IMPORTANT: Do not handle logs with bare hands! Always wear gloves to prevent skin irritation. After handling logs, wash hands gently with soap and water to remove any traces of fibers.**

**VWF18ST AND VWF24ST LOG PLACEMENT**

1. Place bottom left front log (#1) and bottom right front log (#2) on front of grate. *Figure 9*



**Figure 9**

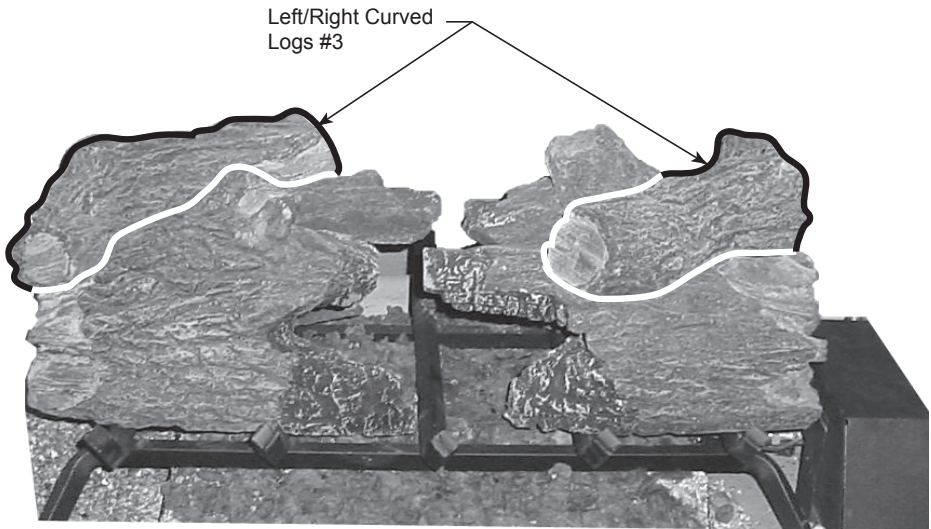


2. Place bottom left front log (#1) behind bottom right front log (#2) on back of grate. *Figure 10*
3. Place bottom right front log (#2) behind bottom left front log (#1) on back of grate. *Figure 10*

**Figure 10**

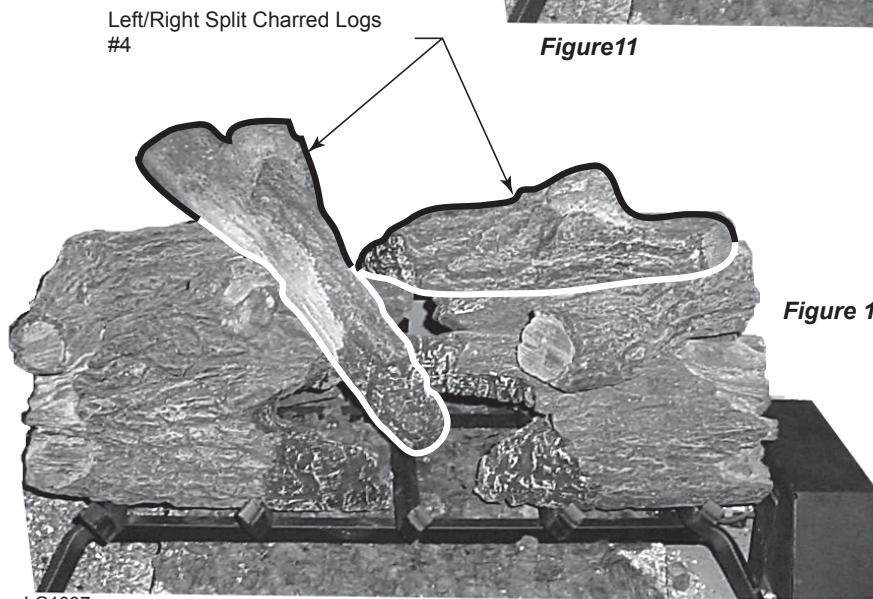


- 4. Place left/right curved log (#3) on top of front and back bottom left logs. *Figure 11*
- 5. Place left/right curved log (#3) on top of front and back bottom right logs. *Figure 11*



**Figure 11**

LG1036

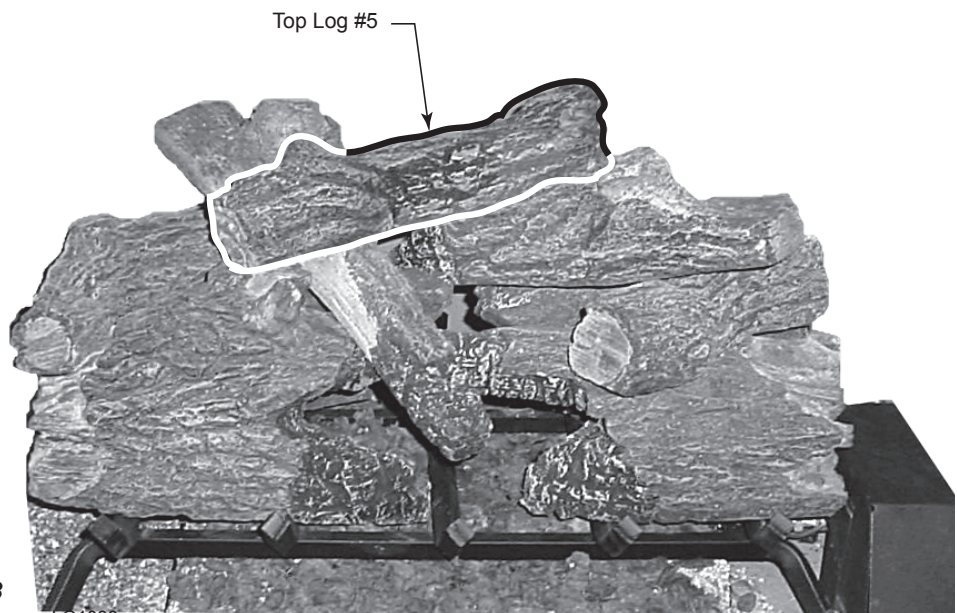


**Figure 12**

LG1037

- 6. Place left/right split charred log (#4) on top of front and back bottom left logs. *Figure 12*
- 7. Place left/right split charred log (#4) on top of front and back bottom right logs. *Figure 12*

- 8. Place top log (#5) on top of left/right charred logs. *Figure 13*



**Figure 13**

LG1038

**FOR YOUR SAFETY READ BEFORE LIGHTING**

**A.** BEFORE OPERATING smell all around the appliance area for gas. Be sure to smell next to the floor because some gas is heavier than air and will settle on the floor.

**WHAT TO DO IF YOU SMELL GAS:**

- Do not attempt to light any appliance.
- Do not touch any electric switch; do not use any phone in your building.
- Immediately call your gas supplier from a neighbor's phone. Follow the gas supplier's instructions.
- If you cannot reach your gas supplier, call the fire department.

**WARNING**

**If you do not follow these instructions exactly, a fire or explosion may result causing property damage, personal injury or loss of life.**




**B.** Use only your hand to push in, or turn the gas control knob. Never use tools. If the knob will not push in or turn by hand, don't try to repair it. Call a qualified service technician. Force or attempted repair may result in a fire or explosion.

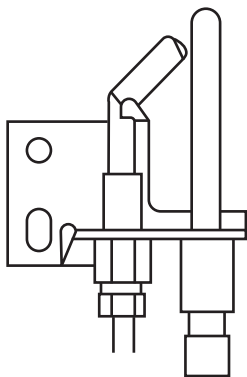
**C.** Do not use this appliance if any part of it has been under water. Immediately call a qualified service technician to inspect the appliance and to replace any part of the control system and any gas control that has been under water.

## MILLIVOLT CONTROL LIGHTING INSTRUCTIONS

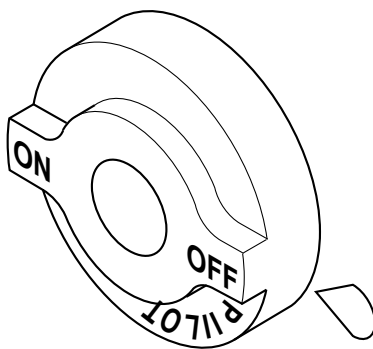
### NOTICE

The Millivolt control does not come preassembled with an on/off switch so that it may be customized for the specific application with a wall switch, remote, etc. A switch/remote must be connected to enable the burner to light.

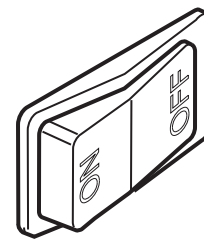
1. **STOP!** Read the safety information label.
2. Make sure the manual shutoff valve is fully open.
3. Turn gas control knob clockwise  to the "OFF" position, and turn ON/OFF switch to "OFF" position.
4. Wait (5) minutes to clear out any gas. Then smell for gas, including near the floor. If you smell gas, STOP!
5. From "OFF" position, turn the gas control knob counterclockwise  to "PILOT" position. Push in control knob for 5 seconds.
6. With the control knob pushed in, light pilot with match.
7. Continue pushing the control knob in for a further 60 seconds to prevent the flame detector from shutting off the gas while the probe is warming up. Release the control knob.
8. Turn gas control knob counterclockwise  to the "ON" position.
9. After the pilot has been lit for one minute, the burners can be turned on. Turn the ON/OFF switch to "ON" position.
10. If the gas logs will not operate, follow the instructions *To Turn Off Gas To Heater* and call your service technician or gas supplier.



Pilot




Control Knob



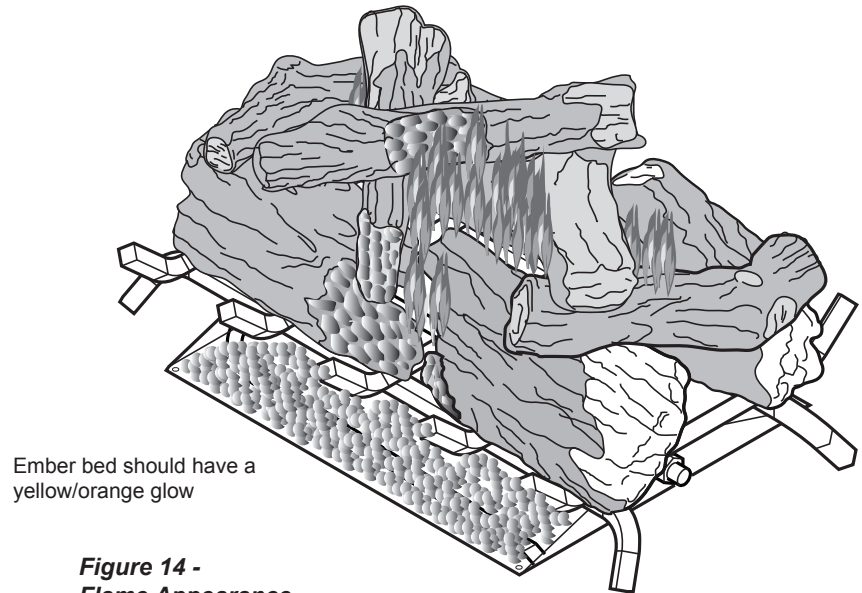
On/Off Switch

## TO TURN OFF GAS TO HEATER

1. Turn control knob clockwise  to OFF position to completely shut off the heater.
2. If applicable: Turn ON/OFF switch to OFF position.

**CHECK BURNER FLAMES**

Flame should be yellow and extend vertically (not curling toward fireplace screen).

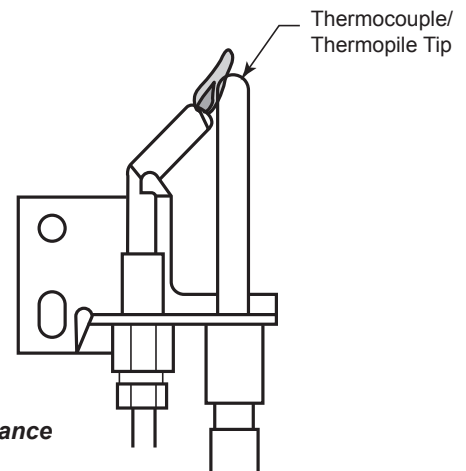


Ember bed should have a yellow/orange glow

**Figure 14 -  
Flame Appearance**

**PILOT FLAME APPEARANCE**

The pilot flame must always be present when appliance is operating. It should just touch the top of the thermocouple/thermopile tip.



**Figure 15 -  
Pilot Flame Appearance**

During manufacturing, fabricating, and shipping, various components of this appliance are treated with certain oils, films, or bonding agents. These chemicals are not harmful, but may produce annoying smoke and smells as they burn off the first time the appliance is used. Operate the appliance 2 to 3 hours at the highest setting to burn off all the oils, films, etc. Never use this appliance with glass doors closed. This could cause the pilot to go out and cause severe sooting outside the fireplace. Always operate this appliance with the fireplace screens in place.

## FIREPLACE DRAFT TEST

### **IMPORTANT: Fireplace Draft Test During Initial Installation**

It is critical to verify that your chimney is drafting properly because the fireplace and gas logs function as a system.

Although MHSC goes to great lengths to design vented gas log sets that minimize sooting, all vented log sets will soot over time. Sooting normally appears as areas of black powder-like substance on the logs. It is important to periodically clean and inspect the logs per the cleaning and servicing.

### WARNING

Fireplace systems that do not draft properly can increase the amount of soot produced by normal operation of the log set and, in extreme cases, can cause soot to be deposited within the room. This effect can be a sign of a blocked chimney, a faulty vent system or the result of negative pressure within the home. The dealer should be able to diagnose if a problem exists and be able to provide a solution to improve the venting of the fireplace.

## FIREPLACE DRAFT TEST METHOD

To determine if your fireplace is drafting properly, turn the log set on. After log set has been burning for about 10 minutes, place a match or smoke stick along the top and sides of the fireplace opening. If the flame or smoke is not pulled into the fireplace, then **the fireplace is not venting properly**. At this point, the damper stop should be adjusted so that the damper opening is increased. If the problem remains after the open area of the damper is increased, then the fireplace system should be professionally inspected to determine if your firebox/chimney is venting properly.

## CLEANING & SERVICING

### WARNING

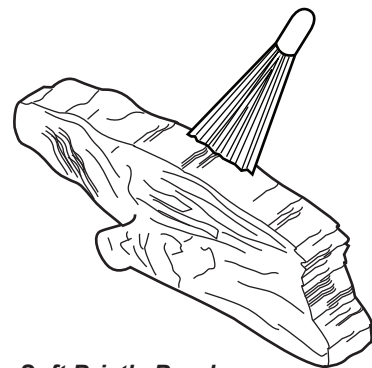
Turn off gas logs and allow to cool before cleaning. Disconnect electrical power if applicable before cleaning or servicing.

The log set should be cleaned at least once a year for maximum performance.

Turn gas supply off. Allow unit to cool. Remove logs, handling carefully by holding gently at each end. Gloves are recommended when handling the log to prevent skin irritation from ceramic fibers. If skin becomes irritated, wash gently with soap and water. Refer to manual for correct log placement. Brush each log gently with a soft bristle brush. This will remove soot that has built up on the log set. **DO NOT USE LIQUID SOOT REMOVER ON LOGS!**

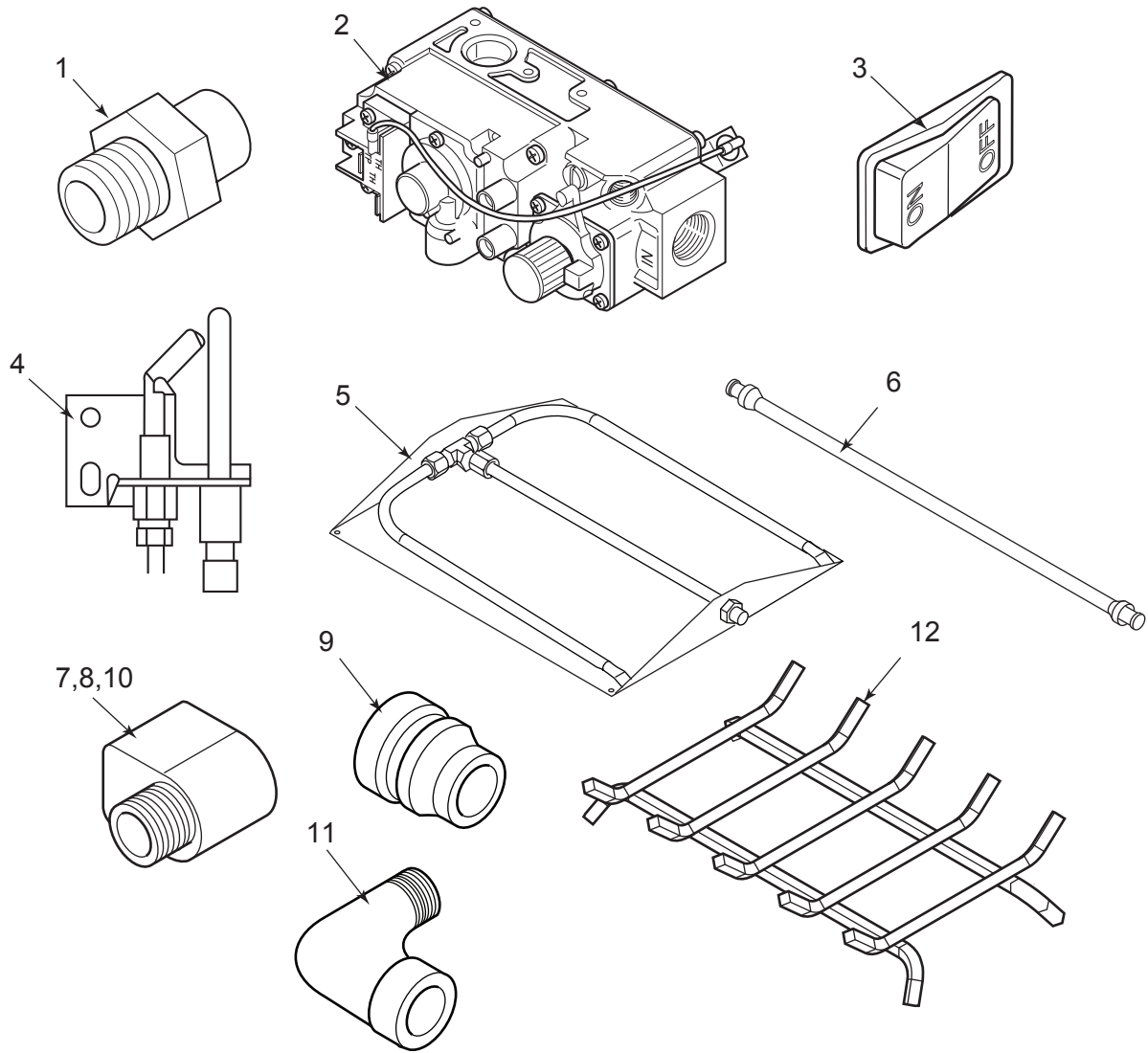
To refurbish the grate, remove grate and take it outside. Use a wire brush or sandpaper to remove any discoloration to the grate. Paint grate with high temperature black paint (barbecue paint). Reinstall grate after paint dries.

If embers (rock wool) have turned a rust color and become brittle, remove old embers (rock wool) from log set. Replace with new rock wool. Rock wool can be purchased from your local dealer. See log placement section for placement of embers.

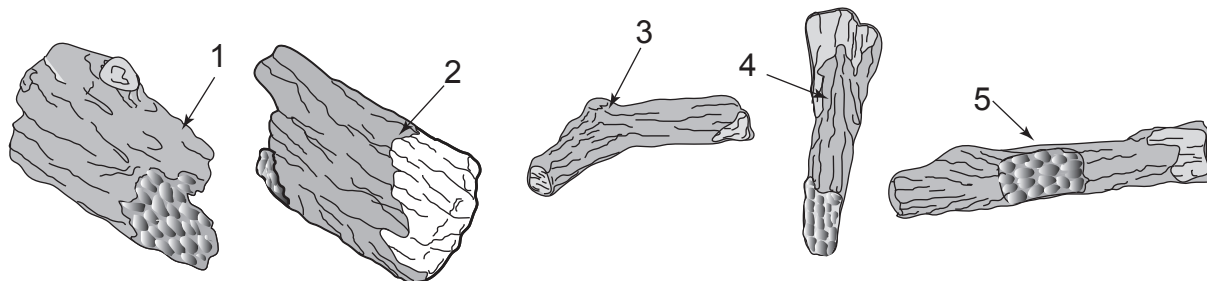


**Remove Soot with a Soft Bristle Brush**





Ref.	Description	Naturel		Propane	
		VWFST18	VWFST24	VWFST18	VWFST24
1.	Injector	27D7022	27D7022	27D0406	27D0406
2.	Millivolt Control Valve	27D8006	27D8006	27D8005	27D8005
3.	Switch	32D0232	32D0232	32D0232	32D0232
4.	Pilot	27D7027	27D7027	27D7027	27D7027
5.	Burner Pan Assembly	27D5200	27D5201	27D5200	27D5201
6.	3/8" Flared Aluminum Tube	27D0305	27D0305	27D0305	27D0305
7.	3/8" Flared to 3/8" FPT Elbow	27D5135	27D5135	27D5135	27D5135
8.	3/8" Flared to 1/2" FPT Elbow	27D5134	27D5134	27D5134	27D5134
9.	Reduction 1/2" x 3/8" FPT Elbow	27D7024	27D7024	--	--
10.	Brass 3/8" Elbow Street	0069882	0069882	069882	0069882
11.	Black 3/8" Elbow Street	27D7025	27D7025	27D7025	27D7025
12.	Grate	27D5213	27D5214	27D5213	27D5214



Ref.	Description	Qty.	VWFST18	VWFST24
1.	Bottom Left Front Log #1	2	27D7501	27D7507
2.	Bottom Right Front Log #2	2	27D7502	27D7508
3.	Left/Right Curved Log #3	2	27D8830	27D8589
4.	Top Left/Right Split/Char Log	2	27D8831	27D8834
5.	Curved Center Top Log #5	1	27D8829	27D8832







## Massachusetts Residents Only — Please read and follow these special requirements

### NOTE REGARDING VENTED PRODUCTS

This product must be installed by a licensed plumber or gas fitter when installed within the Commonwealth of Massachusetts.

Any residence with a direct vent product must have a CO detector installed in the residence.

Installation of the fireplace or vented gas log in the State of Massachusetts requires the damper to be permanently removed or welded in the fully open position.

In addition, a naturally vented gas log may not be installed in a bedroom or bathroom in the State of Massachusetts.

Flex line installation must not exceed 36 inches and must have a T shutoff valve.

### NOTE REGARDING VENT FREE PRODUCTS

This product must be installed by a licensed plumber or gas fitter when installed within the Commonwealth of Massachusetts.

In addition, vent free products may not be installed in a bedroom or bathroom regardless of size or type in the State of Massachusetts.

Flex line installation must not exceed 36 inches and must have a T shutoff valve.

### CARBON MONOXIDE DETECTOR REQUIREMENTS

(2) Revise 10.8.3 by adding the following additional requirements:

(a) For all side wall horizontally vented gas fueled equipment installed in every dwelling, building or structure used in whole or in part for residential purposes, including those owned or operated by the Commonwealth and where the side wall exhaust vent termination is less than seven (7) feet above finished grade in the area of the venting, including but not limited to decks and porches, the following requirements shall be satisfied:

1. **Installation of carbon monoxide detectors.** At the time of installation of the side wall horizontal vented gas fueled equipment, the installing plumber or gas fitter shall observe that a hard wired carbon monoxide detector with an alarm and battery back-up is installed on the floor level where the gas equipment is to be installed. In addition, the installing plumber or gas fitter shall observe that a battery operated or hard wired carbon monoxide detector with an alarm is installed on each additional level of the dwelling, building or structure served by the side wall horizontal vented gas fueled equipment. It shall be the responsibility of the property owner to secure the services of qualified licensed professionals for the installation of hard wired carbon monoxide detectors

a. In the event that the side wall horizontally vented gas fueled equipment is installed in a crawl space or an attic, the hard wired carbon monoxide detector with alarm and battery back-up may be installed on the next adjacent floor level.

b. In the event that the requirements of this subdivision can not be met at the time of completion of installation, the owner shall have a period of thirty (30) days to comply with the above requirements; provided, however, that during said thirty (30) day period, a battery operated carbon monoxide detector with an alarm shall be installed.

2. **Approved Carbon Monoxide Detectors.** Each carbon monoxide detector as required in accordance with the above provisions shall comply with NFPA 720 and be ANSI/UL 2034 listed and IAS certified.

3. **Signage.** A metal or plastic identification plate shall be permanently mounted to the exterior of the building at a minimum height of eight (8) feet above grade directly in line with the exhaust vent terminal for the horizontally vented gas fueled heating appliance or equipment. The sign shall read, in print size no less than one-half (1/2) inch in size, "GAS VENT DIRECTLY BELOW. KEEP CLEAR OF ALL OBSTRUCTIONS."

4. **Inspection.** The state or local gas inspector of the side wall horizontally vented gas fueled equipment shall not approve the installation unless, upon inspection, the inspector observes carbon monoxide detectors and signage installed in accordance with the provisions of 248 CMR 5.08(2)(a)1 through 4.

(b) **Exemptions:** The following equipment is exempt from 248 CMR 5.08(2)(a)1 through 4:

1. The equipment listed in Chapter 10 entitled "Equipment Not Required To Be Vented" in the most current edition of NFPA 54 as adopted by the Board; and

2. Product Approved side wall horizontally vented gas fueled equipment installed in a room or structure separate from the dwelling, building or structure used in whole or in part for residential purposes.

(c) **Manufacturer requirements — Gas Equipment Venting System Provided.** When the manufacturer of Product Approved side wall horizontally vented gas equipment provides a venting system design or venting system components with the equipment, the instructions provided by the manufacturer for installation of the equipment and the venting system shall include:

1. Detailed instructions for the installation of the venting system design or the venting system components; and

2. A complete parts list for the venting system design or venting system.

(d) **Manufacturer requirements — Gas Equipment Venting System Not Provided.** When the manufacturer of a Product Approved side wall horizontally vented gas fueled equipment does not provide the parts for venting the flue gases, but identifies "special venting systems," the following requirements shall be satisfied by the manufacturer:

1. The referenced "special venting system" instructions shall be included with the appliance or equipment installation instructions; and

2. The "special venting systems" shall be Product Approved by the Board, and the instructions for that system shall include a parts list and detailed installation instructions.

(e) A copy of all installation instructions for all Product Approved side wall horizontally vented gas fueled equipment, all venting instructions, all parts lists for venting instructions, and/or all venting design

## **LIMITED LIFETIME WARRANTY POLICY**

### **LIFETIME WARRANTY**

The following components are warranted for life to the original owner, subject to proof of purchase: Firebox, Combustion Chamber, Heat Exchanger, Grate, Stainless Steel Burners, and Vented Fiber Ceramic and Refractory Logs.

### **FIVE YEAR WARRANTY**

The following components are warranted for 5 years to the original owner, subject to proof of purchase: Aluminized Burners.

### **BASIC WARRANTY**

MHSC warrants the components and materials in your gas appliance to be free from manufacturing and material defects for a period of two years from date of installation. After installation, if any of the components manufactured by MHSC in the appliance are found to be defective in materials or workmanship, MHSC will, at its option, replace or repair the defective components at no charge to the original owner. MHSC will also pay for reasonable labor costs incurred in replacing or repairing such components for a period of two years from the date of installation. Any products presented for warranty repair must be accompanied by a dated proof of purchase.

This Limited Warranty will be void if the appliance is not installed by a qualified installer in accordance with the installation instructions. The Limited Lifetime Warranty will also be void if the appliance is not operated and maintained according to the operating instructions supplied with the appliance, and does not extend to (1) firebox/burner assembly damage by accident, neglect, misuse, abuse, alteration, negligence of others, including the installation thereof by unqualified installers, (2) the costs of removal, reinstallation or transportation of defective parts on the appliance, or (3) incidental or consequential damage. All service work must be performed by an authorized service representative.

This warranty is expressly in lieu of other warranties, express or implied, including the warranty of merchantability of fitness for purpose and of all other obligations or liabilities. MHSC does not assume for it any other obligations or liability in connection with the sale or use of the appliance. In states that do not allow limitations on how long an implied warranty lasts, or do not allow exclusion of indirect damages, those limitations of exclusions may not apply to you. You may also have additional rights not covered in this Limited Warranty.

MHSC reserves the right to investigate any and all claims against the Limited Warranty and decide upon method of settlement.

### **IF WARRANTY SERVICE IS NEEDED...**

1. Contact your supplier. Make sure you have your warranty, your sales receipt and the model/serial number of your MHSC product.
2. **DO NOT ATTEMPT TO DO ANY SERVICE WORK YOURSELF.**

**MHSC**

---

149 Cleveland Drive • Paris, Kentucky 40361  
[www.mhsc.com](http://www.mhsc.com)