

PRODUCT SPECIFICATIONS

ODGR500 Outdoor Gas Fireplace



GLASS VIEWING AREA

41" W x 24" H (1008 Square Inches)

TECHNICAL INFORMATION

Fully insulated radiant gas fireplace models in 36" and 42" size

Max. Btu Input: 60,000 BTU/HR

Gas Type: Natural or LP

Feature stainless steel mesh screen, basket grate and concrete refractory lining

Flex line shut off pre-installed

Weather resistant Insta-Flame gas burner system and logs

No venting required on gas models means installation flexibility - gas models can be installed anywhere allowable by local building code (outdoor only)

CSA Design Certified

FIELD INSTALLED ACCESSORIES

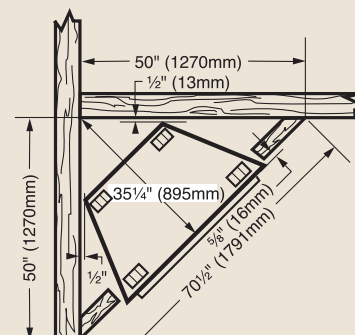
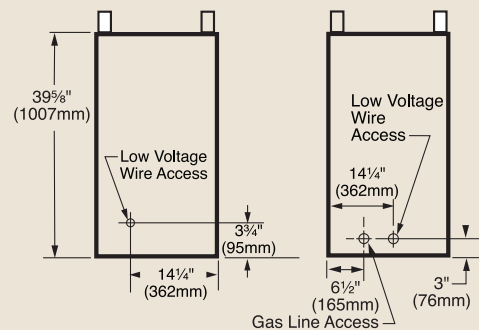
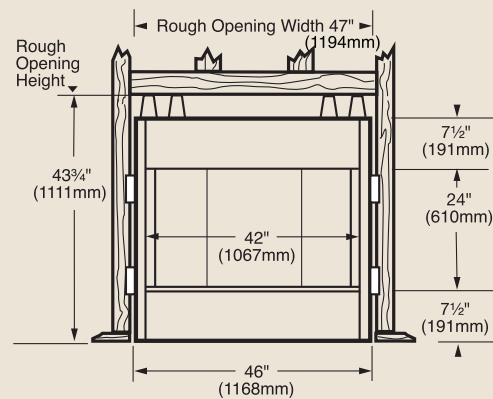
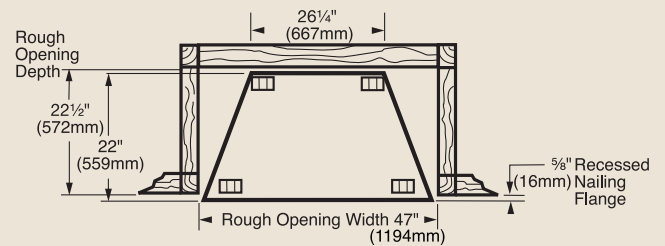
Glass Doors: Bi-fold glass doors available in weather-resistant stainless steel (42GDKSSSR)

Weather cover for gas logs/burner (ODG42WE)

4" Stainless Steel Hood (UV42SH4)

Conversion Kit LP to Natural (20008550)

Conversion Kit Natural to LP (20008551)



A Brand of Monessen Hearth Systems Co.
149 Cleveland Drive, Paris, Kentucky 40361

www.monessenhearth.com



To avoid personal injury or property damage, the product described by this brochure must be installed, operated and maintained in strict compliance with the instructions packaged with the product and all applicable building or fire codes. Contact local building or fire officials about restrictions and installation inspection requirements. All photographs and drawings on this brochure are for illustrative purposes only and are not intended for, nor should they be used as a substitute for the instructions packaged with the unit. Appearance and specifications of the product are subject to change without notice. © 2009 Monessen Hearth Systems Co.