



A Modern Flames™ brand

AL SERIES 43
AL SERIES 58
AL SERIES 95

SAFETY INFORMATION AND OPERATIONS MANUAL



Read these instructions completely before beginning installation. Failure to follow them could cause a heater malfunction resulting in serious injury and/or property damage.

WARNING: All electric heaters have hot and arcing or sparking parts inside. Do not use electric heaters in areas where gasoline, paint or flammable liquids are stored.

This fireplace meets the construction and safety standards of H.U.D. for application in manufactured homes when installed according to these instructions.

INSTALLER: Leave this manual with the appliance.
CONSUMER: Retain this manual for future reference.

Table of Contents

Safety.....	2	Locating Fireplace.....	6
Listing Approvals.....	3	Installation.....	6
Product Dimensions.....	4	Operation.....	8
Box Contents.....	5	Frequently Asked Questions.....	10
Unpacking and Testing.....	5	Troubleshooting.....	11

Safety

WARNING: Improper installation, adjustment, alteration, service or maintenance can cause injury or property damage. Refer to this manual. For assistance or additional information, consult a qualified installer.

CAUTION: Do not expose the heater to the elements (such as rain, etc).

CAUTION: This unit has automatic thermostatic controls. This fireplace can be set to cycle on and off due to ambient room temperature.

Carefully supervise young children when they are in the room with fireplace.

Fireplace becomes very hot when running. Keep children and adults away from hot surfaces to avoid burns or clothing ignition. Fireplace will remain hot for a time after shutdown. Allow surfaces to cool before touching.

WARNING: RISK OF FIRE!
This unit uses LED bulbs ONLY.
Contact maker for repair parts.

Do not install fireplace directly on carpet or similar surface which may restrict air circulation beneath unit.

Do not place clothing or other flammable material on or near fire-box. Never place any objects on the fireplace.

When using electrical heaters, basic precautions should always be followed to reduce the risk of fire, electric shock and injury to persons, including the following:

1. Read all instructions before using this heater.
2. Keep combustible materials, such as furniture, pillows, bedding, papers, clothes and curtains away from front of heater. 1.5 yards minimum clearance required.
3. This heater is hot when in use. To avoid burns, do not let bare skin touch hot surfaces. The grill directly in front of heater outlet becomes hot during heater operation.
4. Extreme caution is necessary when any heater is used and whenever heater is left operating and unattended.
5. Always unplug heater when not in use.
6. Do not operate any heater with a damaged cord or plug or if heater malfunctions or has been dropped or damaged in any way. Return heater to authorized service facility for examination, electrical or mechanical adjustment or repair.
7. Do not use outdoors.
8. This heater is not intended for use in

Safety

- bathrooms, laundry areas and similar indoor locations. Never locate heater where it may fall into a bathtub or other water container.
9. Do not run cord under carpeting. Do not cover cord with throw rugs, runners or the like. Arrange cord away from traffic area and where it will not be tripped over.
 10. To disconnect heater, turn controls to the OFF position before removing plug from outlet.
 11. Do not insert or allow foreign objects to enter any ventilation or exhaust opening as this may cause an electric shock or fire or damage the heater.
 12. To prevent possible fire, do not block air inlets or outlets in any manner. Do not use on soft surfaces, like a bed, where openings may become blocked.
 13. Always use properly grounded fused and polarized outlets.
 14. A heater has hot and arcing or sparking parts inside. Do not use it in areas where gasoline, paint or flammable liquids or vapors are used or stored.
 15. Use this heater only as described in this manual. Any other use not recommended by the manufacturer may cause fire, electric shock or injury to persons.
 16. Avoid the use of an extension cord because the extension cord may overheat and cause a risk of fire. However, if you have to use an extension cord, the cord should be No. 14 AWG minimum size and rated not less than 1875 WATTS.
 17. In order to avoid overheating do not cover the heater.
 18. Heater must not be located immediately above an electrical outlet.
 19. Always use ground fault protection where required by electrical codes.
 20. Always disconnect power before performing any cleaning, maintenance or relocation of heater.
 21. To prevent a possible fire, do not burn wood or other materials in this heater.
 22. To prevent electric shock or fire, always use a certified electrician should new circuits or outlets be required.
 23. When transporting or storing heater, keep in a dry place.
 24. This unit has automatic thermostatic controls. This fireplace can be set to cycle on and off due to ambient room temperature.
 25. **SAVE THESE INSTRUCTIONS**

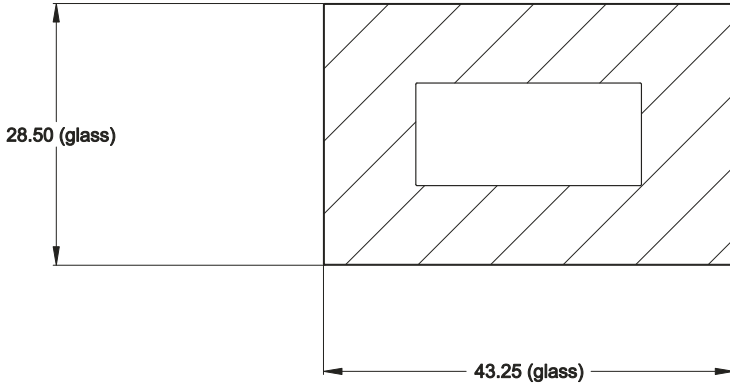
Listing Approvals

Ambiance Linear Electric Fireplaces are ETL approved and safety tested.

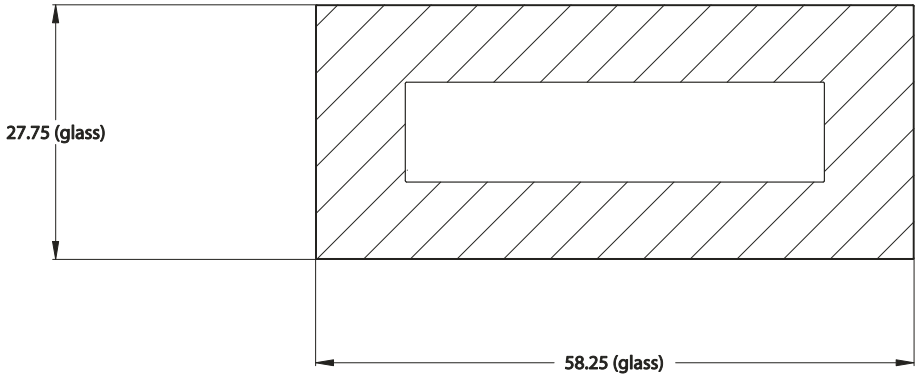


	AL-95 BG-2	AL-58 BG-2	AL-43 BG-2
Volts	AC 120V/60Hz	AC 120V/60Hz	AC 120V/60Hz
Amps	15 Amp	15 Amp	15 Amp
Watts	1500 W	1500 W	1500 W
Heater	AC 120V/60Hz 750-1500W	AC 120V/60Hz 750-1500W	AC 120V/60Hz 750-1500W
No Heater	365 W	205 W	125 W
Lamps	LED	LED	LED
Rotor motor	AC 120V/60Hz 4W CCW 15/18 r/min	AC 120V/60Hz 4W CCW 15/18 r/min	AC 120V/60Hz 4W CCW 15/18 r/min
Shipping Size	98"x30"x8"	61"x29.5"x8"	41"x29.5"x8"
Weight	176 lbs	96 lbs	72 lbs

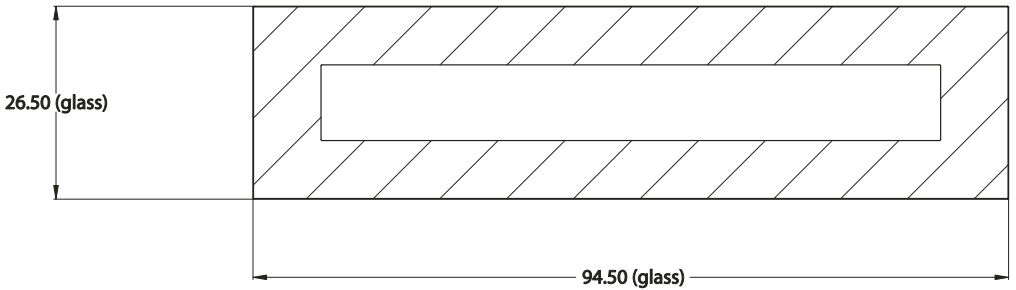
Product Dimensions



AL 43 BG-2
43.25" W x 28.5" H x 5.5" D



AL 58 BG-2
58.25" W x 27.75" H x 5.5" D

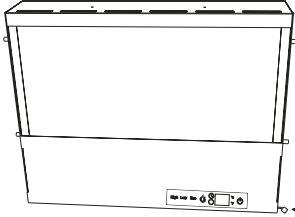


AL 95 BG-2
94.5" W x 26.5" H x 5.5" D

Box Contents



1 Mounting Bracket (2 included on the AL-95 BG)

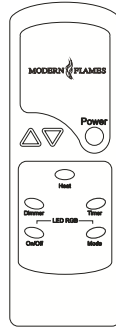


1 Fire Unit

Backlight Connector



1 Glass Face



1 Remote



1 Fastener Package (2 included on the AL-95 BG)

Unpacking and Testing

Carefully remove unit from box. Prior to permanently installing unit, test to make sure unit operates properly. To do this, plug unit's power supply cord into a conveniently located 120-volt grounded outlet.

WARNING: Do not operate the unit if it is damaged or has malfunctioned. If you suspect the unit is damaged, return the unit to an authorized service facility for examination, electrical or mechanical adjustment or repair.

CAUTION: The unit's power supply cord must be connected to a properly grounded and protected 120-volt outlet. Always use ground fault protection where required by the electrical code.

Locating Fireplace

CAUTION: Do not expose the heater to the elements (such as rain, etc.)

CAUTION: Wear gloves and safety glasses for protection during installation and maintenance.

This electric fireplace can be installed hung on the wall.

Wall-hung
Installation

A simple line drawing showing a horizontal line representing the fireplace unit, with two vertical lines extending downwards from its ends, representing mounting brackets or screws.

Installation

WARNING - RISK OF FIRE!

The power cord must not be pinched or against a sharp edge. Secure cord to avoid tripping or snagging to reduce the risk of fire, electric shock or personal injury.

Do not run cord under carpeting. Do not cover cord with throw rugs, runners or the like. Arrange cord away from traffic areas and where it will not be tripped over.

WARNING - RISK OF FIRE!

To prevent a possible fire, do not block air intake or exhaust in any manner. Do not use on soft surfaces where openings may become blocked.

Wall mounted fire must not be closer than 18 inches above floor and no closer than 4 inches from the ceiling.

WARNING: If the information in these instructions is not followed exactly, a fire or explosion may result causing property damage, personal injury or death.

Do not store or use gasoline or other flammable vapors in the vicinity of this or any other heater.

WARNING - RISK OF FIRE!

Do not blow or place insulation against the firebox.

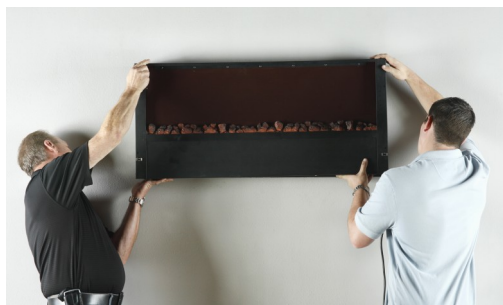
Installing fireplace

Select a suitable location that is not susceptible to moisture and is a safe distance from drapes, furniture and high traffic areas. A qualified electrician should add an electrical outlet per local building codes.

Note: Follow all national and local electrical codes. This fireplace can be wall-hung.

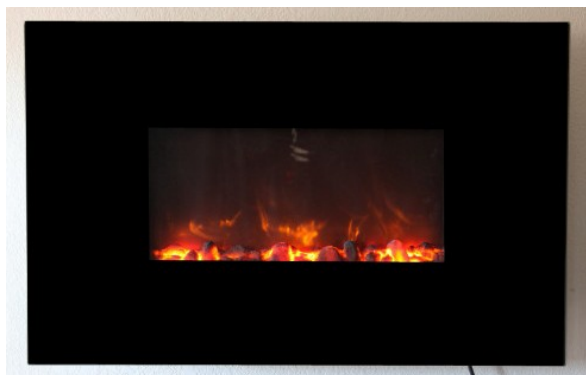
Wall-hung Installation:

1. Hang the mounting bracket with the included large washer head screws and wall anchors. Wall anchors should be used at the highest outside corners. Be certain that at least two screws are driven in to solid backing.



2. Hang the fire unit on the mounting bracket.

3. Hang the glass from the fire unit. Make certain that the hooks from the glass are secured on all 4 studs from the fire unit.

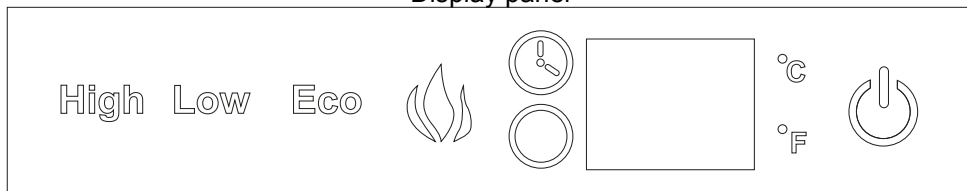


4. Connect the glass mounted backlight connector to the connector on the fire unit.

Operation

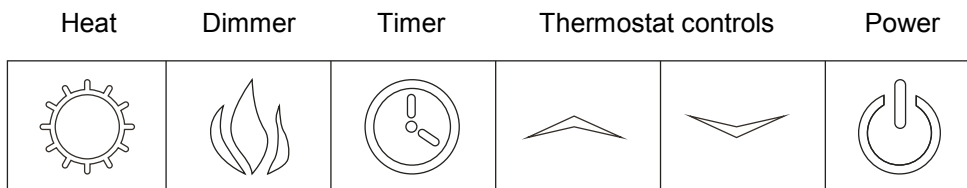
On the bottom of the unit is the main power switch. Switch this on to begin using the fireplace. The unit can be controlled by the remote control or the control panel on the right hand side of the fire unit.

Display panel



(On the AL series fireplaces the display panel will be visible behind the glass in the lower right corner of the fire unit.)

Control panel



Power

Once the main power switch is turned on, the power light will illuminate red. Pressing the power button on the control panel will turn on the fireplace and the power light on the display panel will illuminate green. By default the brightness will be on high and the thermostat set to 72°F.

Dimmer

The dimmer button can be pressed to cycle the fireplace through 5 brightness settings with the 5th being the fire image off completely, this will allow the heater to run with the flame off. When the fire image is off, the dimmer indicator on the display panel will also be off.

Thermostat Controls

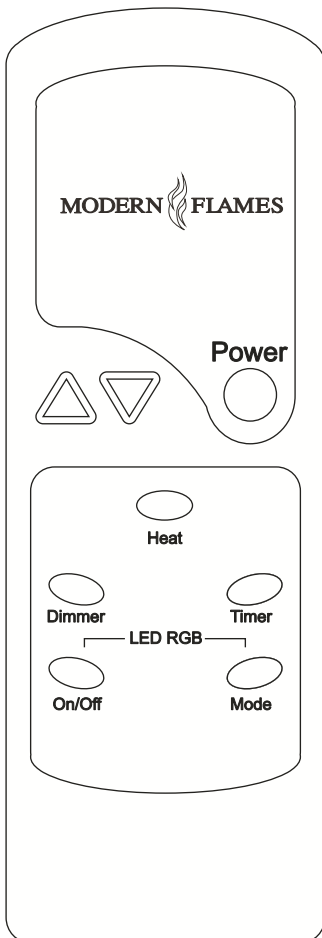
The thermostat controls can be used to set the desired temperature of the room. Use the arrow up and down keys to select the desired temperature as displayed on the display panel. The heater will only come on when the ambient room temperature is lower than the thermostat.

Heat

When the heater does come on it will default to the “High” setting, the heat button can be used to cycle between “High”, “Low” and “Eco.” The display panel will illuminate the corresponding setting. In the Eco mode, the heater’s thermostat will automatically default to 68°F. If the ambient room temperature is below 64°F, the heater will use High mode. As the ambient temperature approaches 68°F, the heater will use Low mode. The heater will disengage when 68°F is achieved. **Caution: The heater will continue to operate every time the ambient temperature is lower than the thermostat setting.**

Timer

Each press of the timer button will add 1 hour to the timer as indicated on the display panel up to a maximum of 12 hours. This will also illuminate the timer light on the display panel. The fireplace will turn off completely at the end of the indicated time. All display panel lights will fade to black after a brief period.



The remote functions in the same manner as the buttons on the main unit.

LED Multi-color backlights

AL series is equipped with backlights mounted to the backside of the crystal black glass face. To control the LED backlights, simply press the “On/Off” button on the remote control. With the backlights on you can cycle through the colors by pressing the “Mode” button on the remote control.

Frequently Asked Questions

Q. How do you program the remote control?

A. The remote comes pre-programmed. No programming is necessary.

Q. What distance can the remote be used from the fireplace?

A. Optimal distance for the remote control is within 10 yards.

Q. Can you turn on the fireplace via the button on the fireplace and off via the remote (or vice versa)?

A. Yes.

Q. Can the fireplace be installed outside?

A. No. Please review the entire safety chapter before installing this fireplace.

Q. Does the fireplace need to be on a dedicated 15 amp circuit?

A. Yes.

Q. What thickness of sheetrock should be used for the recessed installation?

A. 12 or 15 mm.

Q. How often do the batteries in the remote need to be replaced?

A. Annually, possibly more with heavy use.

Q. Is there a remote receiver in the fireplace that requires batteries?

A. No, only the actual remote requires batteries. The rest of the fireplace runs entirely off of the main power supply.

Q. How often do the bulbs need to be replaced in the fire unit?

A. Annually, possibly more with heavy use.

Q. Can the bulbs be replaced with fluorescent bulbs?

A. No. The fire can use LED bulbs ONLY.

Troubleshooting

SYMPTOM	PROBLEM	TEST SOLUTION
Appliance turns off and will not turn on	Appliance has overheated and safety device has caused the thermal switch to disconnect	Unplug the appliance, allow appliance to cool for 15 minutes, then plug it back in
	House circuit breaker has tripped	Reset house circuit breaker
Appliance will not come on when switch is flipped to ON	Appliance is not plugged into an electrical outlet	Check plug and plug it in if necessary
	Appliance has overheated and safety device has caused the thermal switch to disconnect	Unplug the appliance, allow appliance to cool for 15 minutes, then plug it back in
Remote control does not work	Low batteries	Replace batteries in remote control
LED Backlight does not function	The backlight connector is plugged in backwards	Unplug the backlight connector, reverse the plug and plug back in

© 2011



Dream Flame a Modern Flames™ brand