

# QUARTZ SERIES

Direct Vent Gas Fireplaces



# THE FEATURES YOU NEED, WITH THE OPTIONS YOU WANT.



Quartz 32 shown with contemporary conversion kit and fade-resistant reflective black glass interior panels



## Quartz Series Direct Vent Gas Fireplaces

The Quartz series gas fireplaces have the features you need, with the options you want. The shallow depth leaves you with living space to spare, while the versatile interior can be changed from traditional to contemporary to fit your style.

Cover photo: Quartz 36 shown with Tavern Brown interior

### Quartz Quick Look

- Shallow depth allows for more installation possibilities
- Customize the interior with traditional or contemporary features
- Create a contemporary look now or later<sup>1</sup>
- Available in 32", 36" or 42" models
- Up to 28,500 BTUs



# ACCESSORY OPTIONS FOR YOUR QUARTZ FIREPLACE

**Interior Panels** – Customize the interior of your fireplace with this alternative style of decorative lining.



Cottage Red



Tavern Brown



Reflective Black Glass

**Contemporary Conversion Kit** – Comes standard with diamond and onyx glass and stones.<sup>1</sup>



Diamond Glass



Onyx Glass



Stone Kit



Sapphire Glass



Bronze Glass

**Glass Firebed** – Once you add the contemporary conversion kit, you can change the look with additional glass options.<sup>1</sup>

**Controls** – Take complete control of your comfort.



## TotalRemote

Effortlessly manages heat output and comfort level with timer mode, room temperature readout, thermostat mode, flame high/low, fan speed, on/off.

**Mantel Systems** – Visit [majesticproducts.com](http://majesticproducts.com) for a variety of options and additional information on mantel systems, shelves and stone surrounds.



Quartz 42 shown with fade-resistant reflective black glass interior panels

## Heat Management Solutions

**Fan** – Move heat directly into the room for added comfort.

**Heat-Zone™ Kit** – Draw heat from your fireplace to another room in your home.

**Heat Duct Kit** – Send the warmth from your fireplace to the rest of your home via furnace ductwork.

## Install Virtually Anywhere

### Power Venting

A fan-powered accessory with slim venting can zigzag throughout your home—install a gas fireplace virtually anywhere.

<sup>1</sup> Contemporary glass firebed available for 32" and 36" only.

## IntelliFire™ Ignition System

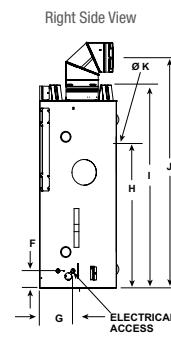
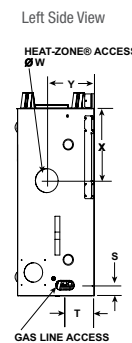
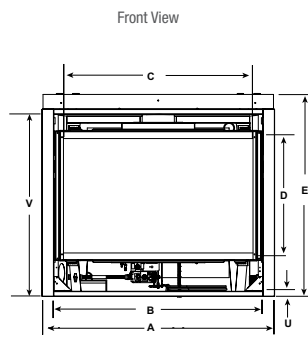
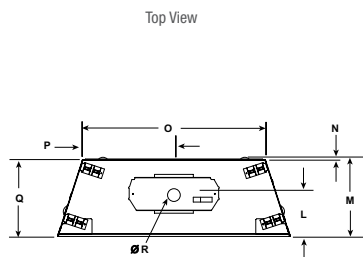
An advanced intermittent pilot ignition system. IPI constantly monitors ignition, ensures safe functioning and conserves up to \$10/month in energy costs.

## Direct Vent Technology

Direct Vent fireplaces remove 100% of combustion exhaust and odors from your space. These sealed fireplaces provide optimal heat, conserve energy and ensure clean indoor air quality.

## TECHNICAL SPECIFICATIONS

MODEL	FRONT WIDTH		REAR WIDTH		HEIGHT		DEPTH		GLASS SIZE	BTU/HR INPUT
	ACTUAL	FRAMING	ACTUAL	FRAMING	ACTUAL	FRAMING	ACTUAL	FRAMING		
QUARTZ32	36" [913mm]	37" [940mm]	25-3/4" [653]	37" [940mm]	34-3/8" [873mm]	34-3/4" [882mm]	16-5/16" [415mm]	16-1/4" [413mm]	27-3/16" x 18-1/16" [691mm x 459mm]	15,000 – 21,000 (NG)
QUARTZ36	41" [1041mm]	42" [1067mm]	30-3/4" [781mm]	42" [1067mm]	37-7/8" [962mm]	38-1/4" [972mm]	16-5/16" [415mm]	16-1/4" [413mm]	32-1/16" x 21-1/2" [814mm x 546mm]	17,000 – 24,000 (NG)
QUARTZ42	48" [1219mm]	49" [1245mm]	37-3/4" [959mm]	49" [1245mm]	39-9/16" [1005mm]	40-1/4" [1022mm]	16-5/16" [415mm]	16-1/4" [413mm]	39-1/16" x 23-9/16" [992mm x 599mm]	20,000 – 28,500 (NG)



MODEL	A	B	C	D	E	F	G	H	I	J	K	L	M	N	O	P	Q	R	S	T	U	V	W	X	Y
QUARTZ32	36" [914mm]	31-1/8" [791mm]	27-3/16" [691mm]	18-1/16" [459mm]	34-1/16" [865mm]	3-9/16" [90mm]	6-7/8" [175mm]	23-3/8" [594mm]	34-3/8" [873mm]	36-7/16" [926mm]	8" [203mm]	8-13/16" [224mm]	16-5/16" [414mm]	1/2" [13mm]	25-3/4" [654mm]	12-7/8" [327mm]	15-7/8" [403mm]	6-5/8" [168mm]	2-3/16" [56mm]	6" [152mm]	1" [25mm]	30-1/16" [764mm]	5" [127mm]	14" [356mm]	9-1/8" [232mm]
QUARTZ36	41" [1041mm]	36-1/8" [918mm]	32-1/16" [814mm]	21-1/2" [546mm]	37-5/8" [956mm]	3-9/16" [90mm]	6-7/8" [175mm]	26-7/8" [683mm]	37-7/8" [962mm]	39-15/16" [1014mm]	8" [203mm]	8-13/16" [224mm]	16-5/16" [414mm]	1/2" [13mm]	30-3/4" [781mm]	15-3/8" [391mm]	15-7/8" [403mm]	6-5/8" [168mm]	2-3/16" [56mm]	6" [152mm]	1" [25mm]	33-9/16" [853mm]	5" [127mm]	14" [356mm]	9-1/8" [232mm]
QUARTZ42	48" [1219mm]	43" [1092mm]	39-1/16" [992mm]	23-9/16" [599mm]	39-9/16" [1005mm]	3-9/16" [90mm]	6-7/8" [175mm]	28-7/8" [733mm]	39-7/8" [1013mm]	41-15/16" [1065mm]	8" [203mm]	8-13/16" [224mm]	16-5/16" [414mm]	1/2" [13mm]	37-3/4" [959mm]	18-7/8" [479mm]	15-7/8" [403mm]	6-5/8" [168mm]	2-3/16" [56mm]	6" [152mm]	1" [25mm]	39-9/16" [903mm]	5" [127mm]	14" [356mm]	9-1/8" [232mm]

## Efficiencies

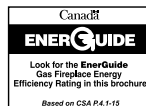
### EnerGuide (CSA P.4.1-15)

EnerGuide is the official Government of Canada mark associated with the labelling and rating of the energy consumption or energy efficiency of specific products.

QUARTZ 32	QUARTZ 36	QUARTZ 42
56.0% (NG) 54.1% (LP)	50.7% (NG) 51.1% (LP)	61.3% (NG) 60.5% (LP)



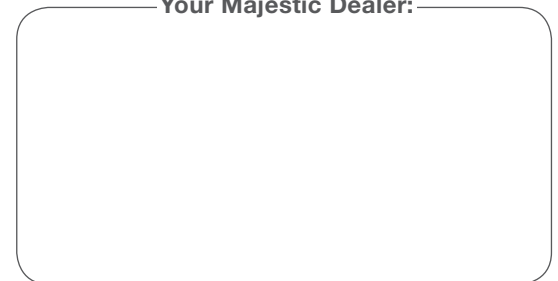
For more information about Majestic efficient and environmentally friendly products, please visit [majesticproducts.com](http://majesticproducts.com) or [majesticfireplaces.ca](http://majesticfireplaces.ca)



### Limited Lifetime Warranty<sup>2</sup>

The strongest in the industry, Majestic provides a limited lifetime warranty on gas-burning products of the most important aspects: firebox and heat exchanger.

Your Majestic Dealer:



FPO  
FSC

<sup>2</sup>: For full warranty details go to [majesticproducts.com](http://majesticproducts.com). The information provided in this literature is for planning purposes only and subject to change. Please consult the installation manual for actual installation. Actual product appearance may differ from product images. Fireplace, stove and insert surfaces get extremely HOT and can cause severe burns if touched. Keep a safe distance away. To learn more visit [www.majesticproducts.com](http://www.majesticproducts.com). © 2018 Hearth & Home® Technologies