



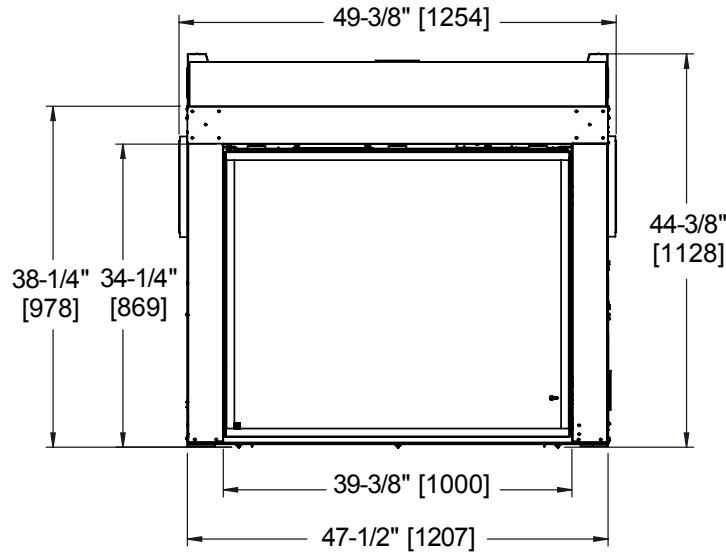
Please consult the manufacturer's installation manual for all details and requirements before making a final design layout decision.

# Fortress

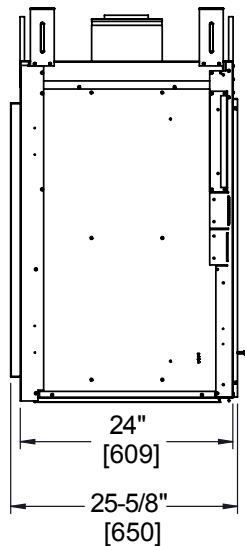
Indoor/Outdoor Gas Fireplace

| MODEL    | FRONT WIDTH    |                | BACK WIDTH     |                | HEIGHT         |                | DEPTH         |           | VIEWING AREA | BTU/HR INPUT |
|----------|----------------|----------------|----------------|----------------|----------------|----------------|---------------|-----------|--------------|--------------|
|          | Actual         | Framing        | Actual         | Framing        | Actual         | Framing        | Actual        | Framing   |              |              |
| FORTRESS | 49-3/8" [1254] | 49-1/2" [1257] | 49-3/8" [1254] | 49-1/2" [1257] | 44-3/8" [1154] | 44-1/2" [1130] | 25-5/8" [650] | 23" [584] | 36" X 30"    | 56,000       |

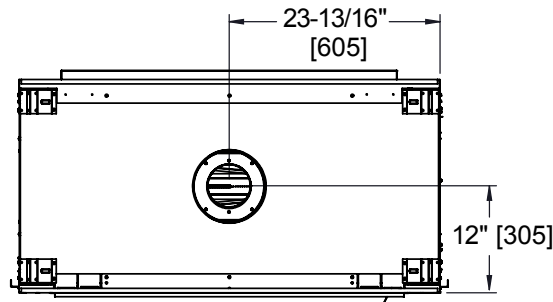
Front View



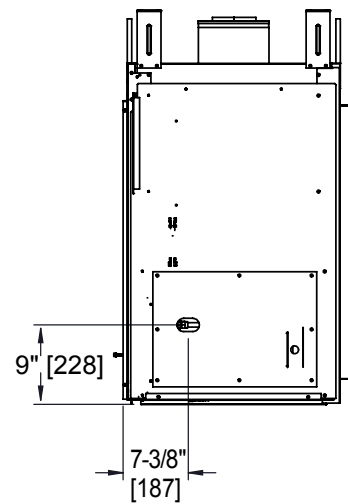
Left Side View



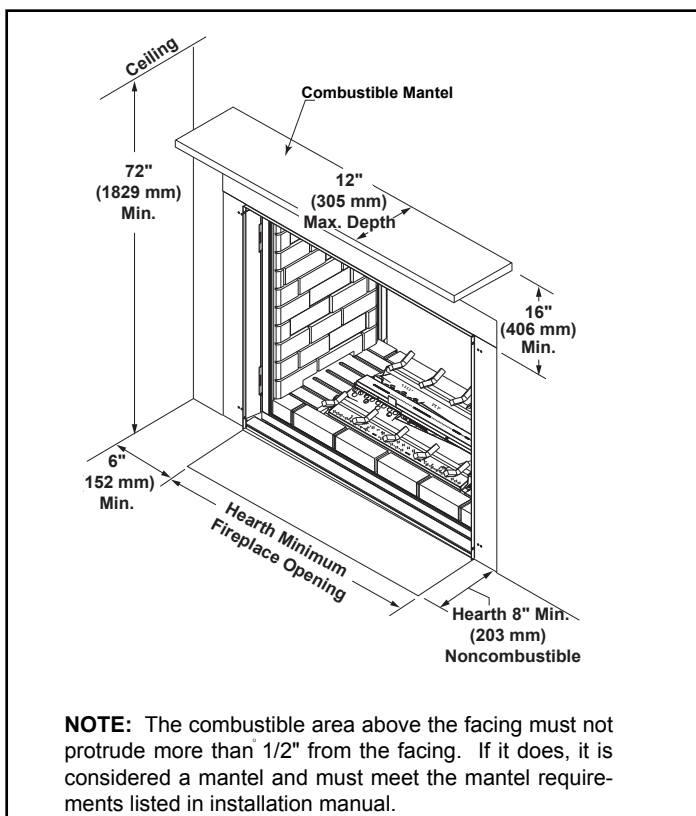
Top View



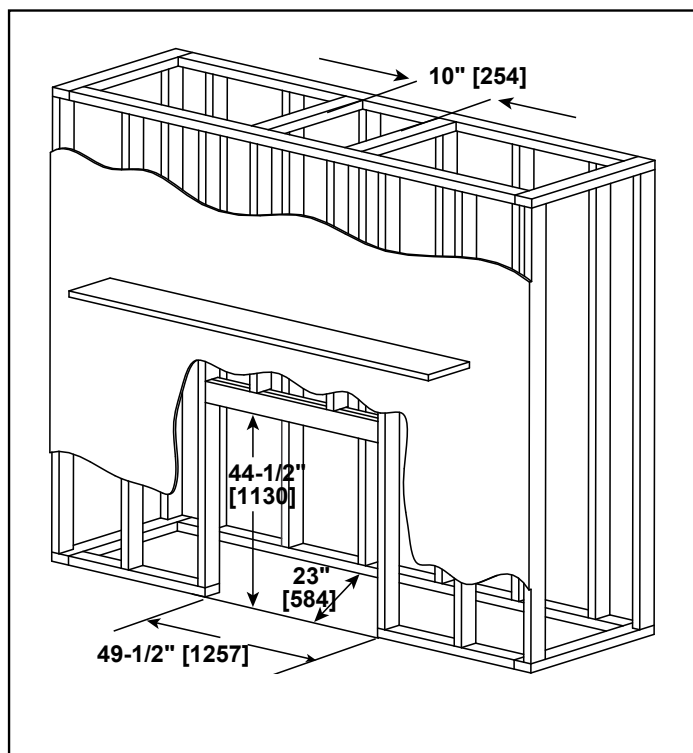
Right Side View



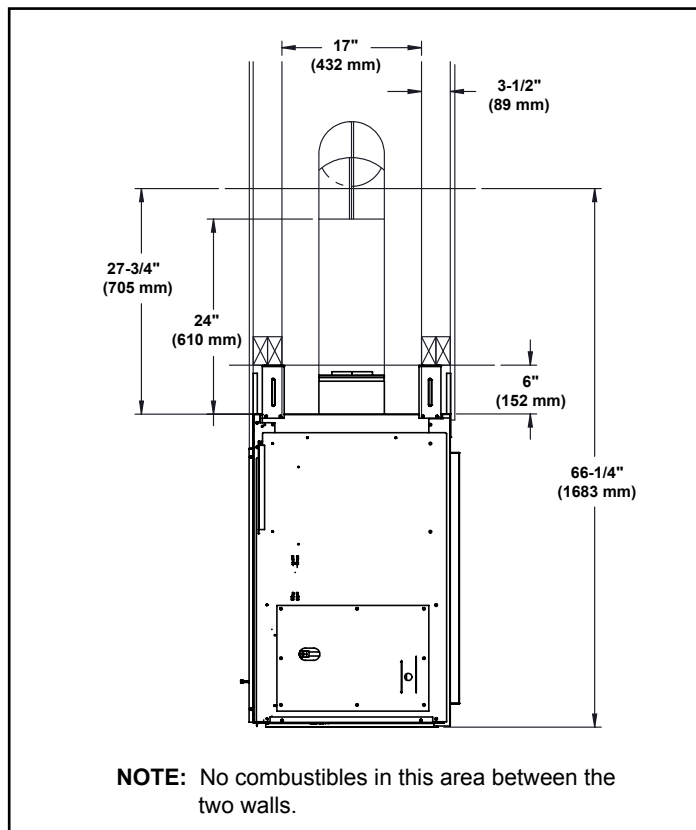
CEILING AND SIDEWALL CLEARANCES



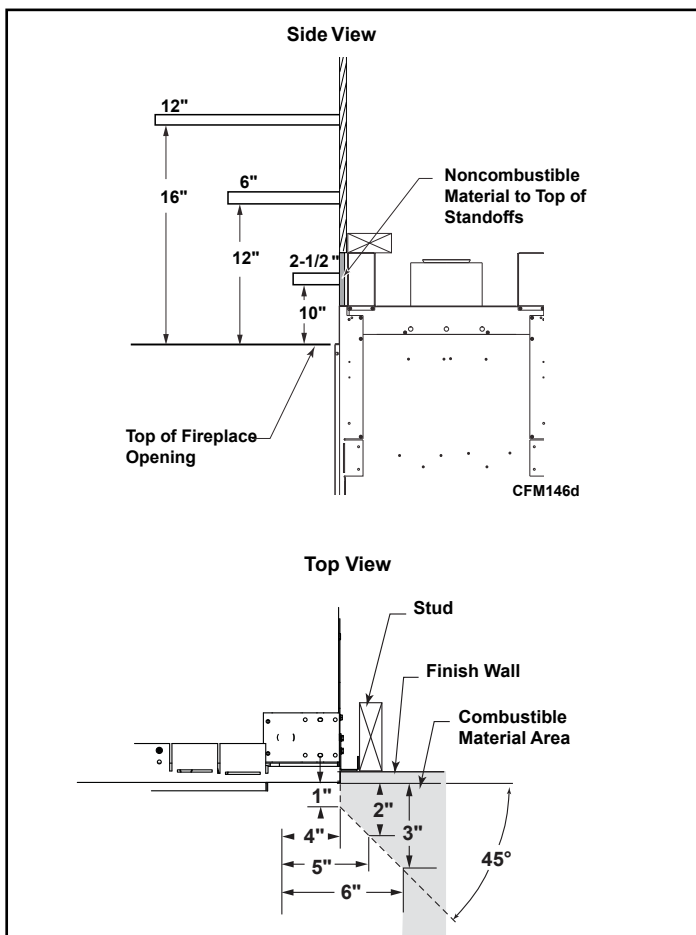
FRAMING DIMENSIONS



HEARTH EXTENSION



MANTEL CLEARANCES



| PRODUCT LISTING CODES |                  |
|-----------------------|------------------|
| US                    | ANSI Z21.50-2014 |
| CAN                   | CSA 2.22-2014    |

Product information provided is not complete and is subject to change without notice. Product installation must adhere strictly to instructions accompanying product to avoid risk of fire and potential injury.

Additional information can be found online at [www.fireplaces.com](http://www.fireplaces.com)