



# Outdoor Built-in Gas Grill Quick Start Guide

**CAUTION:** For your safety read the installation instructions and owner's manual provided with the grill.

## 1-Safety

**INSTALLER:** Leave these instructions with consumer. **CONSUMER:** Retain for future reference.

This grill must be installed in accordance with local codes and ordinances, or, in the absence of local codes, with either the latest National Fuel Gas Code (ANSI Z223.1/NFPA 54), and Natural Gas and Propane Storage and Handling Installation Code (CSA-B149.1).

This appliance and its individual shutoff valves must be disconnected from the gas-supply piping system when testing the system at pressures in excess of 1/2 psig. This appliance must be isolated from the gas-supply piping system by closing its dedicated manual shutoff valve during any pressure testing of the gas-supply system at pressures up to and including 1/2 psig.

**This grill is designed for outdoor use only. DO NOT use this grill under unprotected flammable surfaces. DO NOT use this grill inside a building, garage, enclosed area, or an unprotected covered area (see paragraph below). DO NOT use this grill in or on a recreational vehicle or boat.**

**Important:** When installing this grill in a COMBUSTIBLE surround, an R.H. Peterson insulating liner must be used. See the Fire Magic Insulating Liner Instructions.

If installed or used under a patio roof, the cooking grid area must be fully covered by an exhaust hood with a vent. An exhaust fan with a rating of 1,000 CFM (cubic feet per minute) (472 liters per second) or more may be necessary to effectively remove smoke and other cooking by-products from the area under the hood. **Fire Magic Vent Hoods are available to meet this requirement.** This outdoor grill must not be used under overhead unprotected combustible construction. **THIS UNIT MUST NOT BE LOCATED IN A FULLY ENCLOSED AREA OF ANY KIND.**

## 2-Unpacking

Carefully unpack the grill, removing all packing material and protective film. Verify that all parts have arrived undamaged by consulting the parts list in the owner's manual. Remove foam packed hardware from oven area. (See Fig. 2-1.)

Consult the parts list in the owner's manual. If any parts are missing or damaged, immediately contact the Fire Magic dealer before beginning installation.

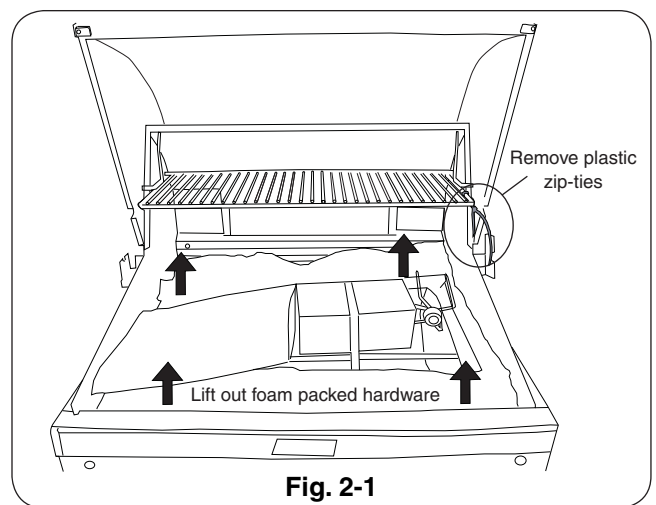


Fig. 2-1

## 3-Installation

**NOTE: THE CONTROL PANEL DOES NOT NEED TO BE REMOVED FOR INSTALLATION. IF REMOVAL IS REQUIRED IT MUST BE DONE WITH CAUTION BY A QUALIFIED PROFESSIONAL SERVICE TECHNICIAN, TO PREVENT ANY POSSIBLE WIRE DISCONNECTIONS.**

### Location

**CAUTION:** Wind blowing into or across the rear oven lid vent (Fig. 3-1) can cause poor performance and/or dangerous overheating. Orient the grill so that the prevailing wind blows toward the front of the grill (Fig. 3-2).

**CAUTION:** To prevent dangerous overheating, the rear of the unit must have a minimum clearance of 4" (10.2 cm) from any backsplash/wall.



Fig. 3-1



Fig. 3-2

### Connect Gas supply

These quick start instructions assume a natural gas or household propane configured unit. See main instructions for propane cylinder units.

Turn all gas control knobs on the grill to OFF. Attach the flex connector coming from the grill to the gas inlet pipe. Open the dedicated manual shut-off valve. Test for leaks using a half-soap/half-water solution. Slide the unit into position in the enclosure. Do not pinch, kink, or damage the flex connector (Fig. 3-3).

The control panel must be flush with the enclosure face as shown in Fig. 3-4.

Proper grill airflow must be maintained as shown in Fig. 3-5. Do not block. It is not necessary to remove the control panel or knobs for installation.

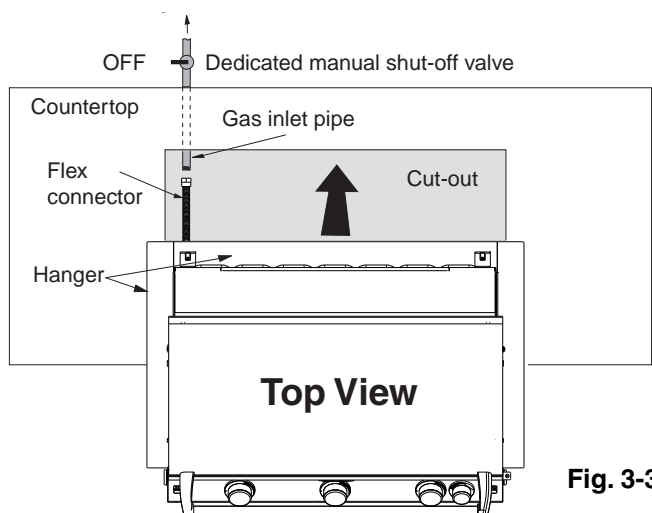


Fig. 3-3

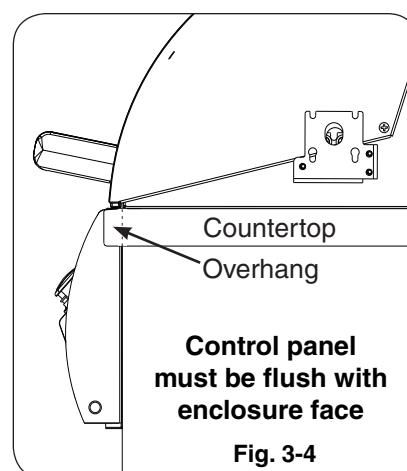
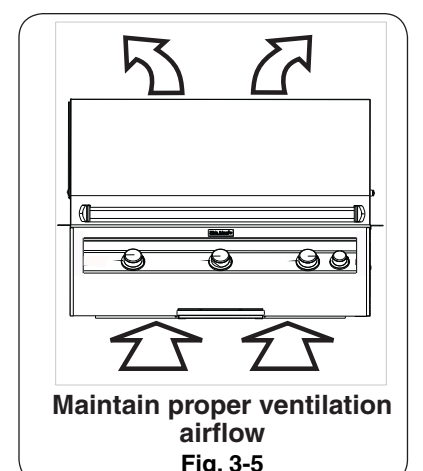


Fig. 3-4



Maintain proper ventilation airflow  
Fig. 3-5

**Note:** For infrared burner equipped grills, see detailed instructions included in your owners manual.

## 4-Grill Setup

### Parts Placement Checklist

Place the following items according to their position and orientation in Fig. 4-1:

Flavor grids, cooking grids, heat zone dividers, backburner cover, warming rack, meat probe.

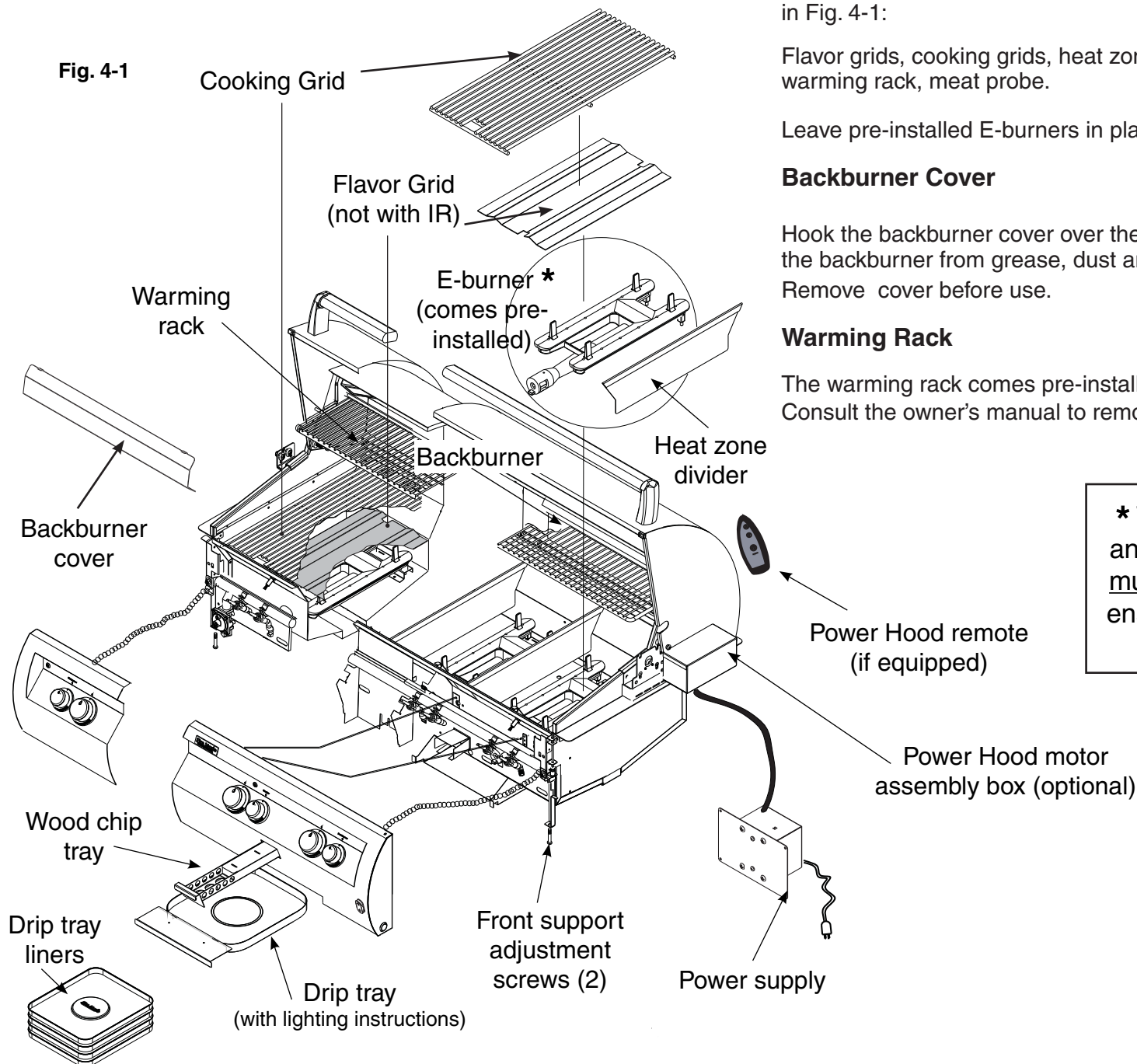
Leave pre-installed E-burners in place to maintain proper alignment.

### Backburner Cover

Hook the backburner cover over the top of the backburner to protect the backburner from grease, dust and dirt when it is not in use. Remove cover before use.

### Warming Rack

The warming rack comes pre-installed. Remove zip ties before use. Consult the owner's manual to remove or replace.



**\* The burner ports and carry-over slots must be kept clean to ensure proper ignition and operation.**

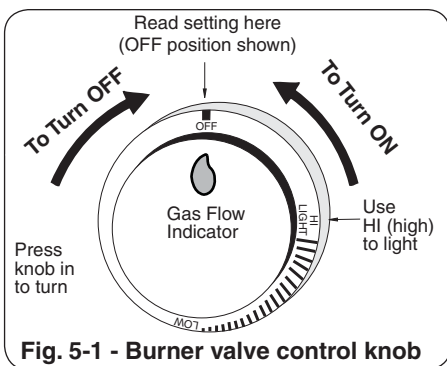


Fig. 5-1 - Burner valve control knob

## 5-Test

1. Open the lid and remove any cover(s) of the burner(s) to be lit.
2. Turn all gas control knobs to the **OFF** position.
3. Turn the gas-supply valve on.
4. Depress the desired control knob for **5 seconds**, then, while pressing turn it counterclockwise to the **HI LIGHT** position. Once the burner lights, release the control knob. (Repeat this step for each additional burner.)

**CAUTION:** If burner does not light within 5 seconds, **IMMEDIATELY** depress the knob and turn it to the **OFF** position. Wait 5 minutes before repeating step 4. If the burner does not light after repeated attempts, refer to the Lighting Instructions in your Owners Manual.

**For your convenience and safety; when the control knob is in the ON position, the gas flow indicator will change from blue to red. (Red indicates gas flow.) See Fig. 5-1.**

**WHEN OPERATING THIS APPLIANCE WITH PROPANE, ALL INSTRUCTIONS AND WARNINGS MUST BE OBSERVED. FAILURE TO DO SO MAY RESULT IN A FIRE OR EXPLOSION CAUSING SERIOUS INJURY OR DEATH.**

The light switch is push button operated, and is located on the right side of the control panel (see Fig. 5-2). It controls the power to all lights.

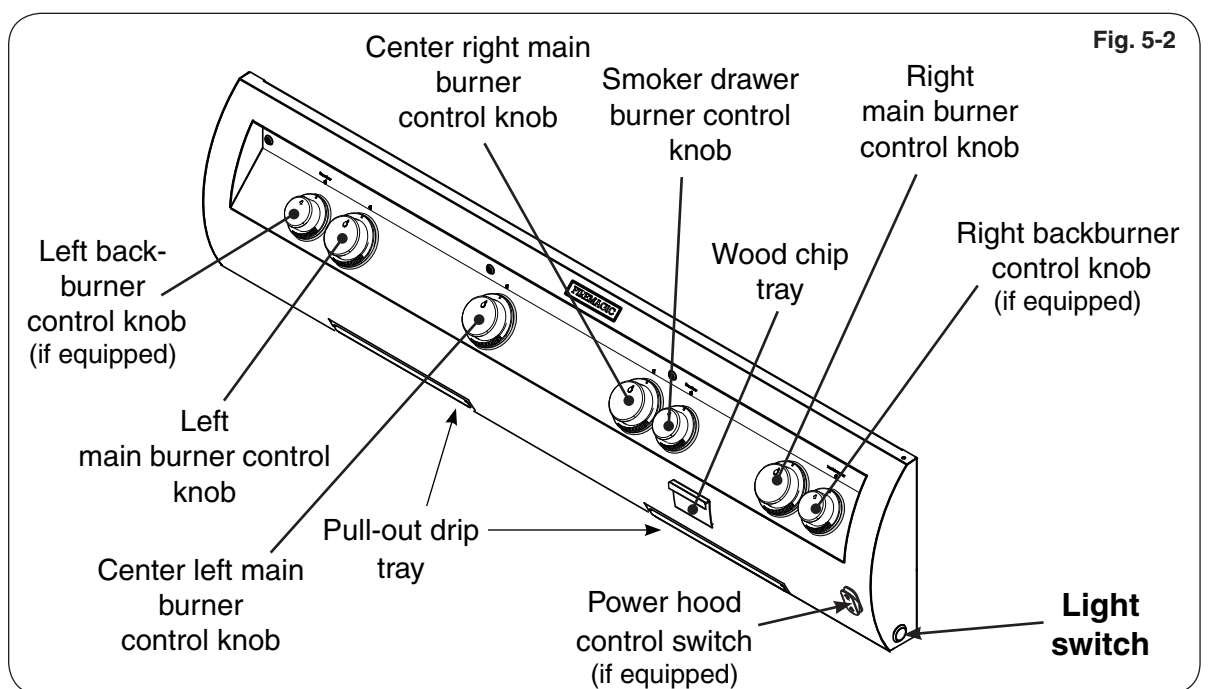


Fig. 5-2

## 6-Propane Safety

**FOR PROPANE CONFIGURATIONS; READ ALL SAFETY INSTRUCTIONS AND WARNINGS REGARDING THE USE OF PROPANE GAS FOUND IN YOUR OWNERS MANUAL.**