



Gas Connection Box with Timer

Model # 5520-11T
5520-13T

INSTALLER: Leave these instructions with consumer.
CONSUMER: Retain for future reference.



3-Hour model shown

This timer box must be installed in a grill enclosure in such a way that it is easily accessible to the rear of the box for gas connection maintenance and service.

The grill enclosure must be built according to the GRILL ENCLOSURE / VENTILATION REQUIREMENTS section of your grill owner's manual. Observe all codes. See grill owner's manual for details.

INSTALLATION REQUIREMENTS

This device shall be installed in accordance with local codes or, in the absence of local codes, in accordance with the National Fuel Gas Code ANSI Z223.1/NFPA54, or the Natural Gas & Propane Installation Code, CSA B149.1, as applicable.

Test all piping joints inside the outlet box as per B149.1 or B149.2, or the National Fuel Gas Code.

Specifications

- Box dimensions: 7³/₄" W x 7³/₄" H x 2¹/₂" D
- 1/2" Model - 90m B.T.U., Natural Gas @ 0.6 SP. @ 7" w.c.
- 1/2" Model - 140m B.T.U., Propane Gas @ 1.53 SP.@ 11" w.c.
- Maximum working pressure not to exceed 1/2 P.S.I.G.
- Maximum operating range: from -18° C (0° F) to 93.3° C (200° F).

The gas piping/hoses should be flexible enough to be pulled out for leak testing during installation.

INSTALLATION

1. Create box cutout in grill enclosure. See fig 1-1.
2. **Connect gas source to IN:** Using two wrenches, connect the gas line (not included) coming from your gas source to the 1/2" flare adapter labeled **IN**. See Fig 1-2, A. Ensure the connection is tightened securely.

Note: DO NOT use pipe joint compounds on flare fittings.

3. **Connect grill line to OUT:** Using two wrenches, connect the gas line coming from your grill to the 1/2" flare adapter labeled **OUT**. See Fig 1-2, B. Ensure the connection is tightened securely.

Note: DO NOT use pipe joint compounds on flare fittings.

4. Carefully check *all* gas connections for leaks with a brush and soapy water before lighting. NEVER USE A MATCH OR OPEN FLAME TO TEST FOR LEAKS.
5. Install box and secure to enclosure. Mounting hardware not included.

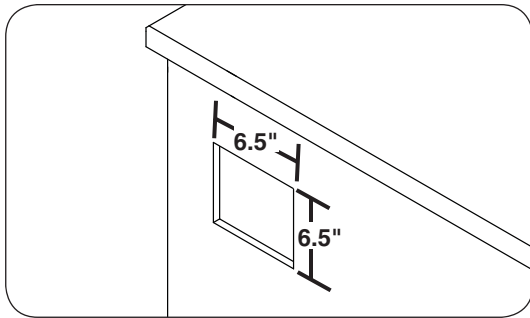


Fig. 1-1 Cut out dimensions

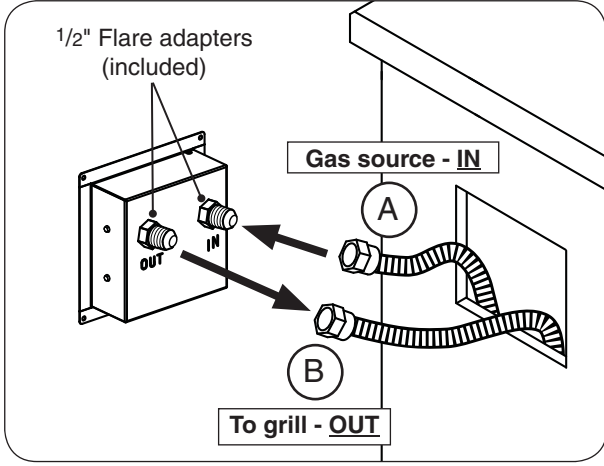


Fig. 1-2 Install timer box

TIMER (1-hour model)

Open the shut-off valve located inside the box assembly and set the dial (turn clockwise) to the desired time to shut off. The dial is marked in 3 twenty minute increments (any position in between is an estimate of that set time). The timer dial will auto rotate (counter-clockwise) and will shut off the gas supply when the dial reaches OFF (i.e. the time is completed).

Important: When using the timer for periods of less than twenty minutes, you must first set the dial to 20 minutes (to activate), then return (counter-clockwise) to the desired amount of time. This will ensure proper timer operation. See Fig. 2-1.

TIMER (3-hour model)

Open the shut-off valve located inside the box assembly and set the dial (turn clockwise) to the desired time to shut off. The dial is marked in 3 one hour increments (any position in between is an estimate of that hour). The timer dial will auto rotate (counter-clockwise) and will shut off the gas supply when the dial reaches OFF (i.e. the time is completed).

Important: When using the timer for periods of less than one hour, you must first set the dial to 1 hour (to activate), then return (counter-clockwise) to the desired amount of time. This will ensure proper timer operation. See Fig. 2-2.

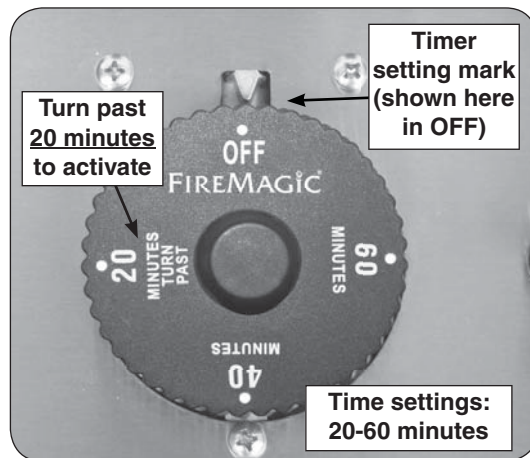


Fig. 2-1 1-Hour timer detail

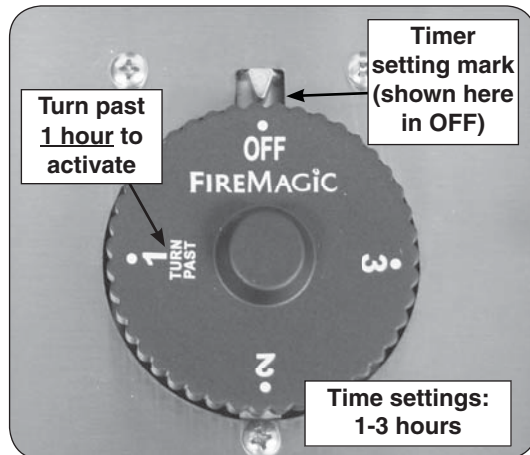


Fig. 2-2 3-Hour timer detail

CAUTION: Always leave the shut-off valve in the closed position when not in use.

Note: Always instruct the end user on the safe operation of the outlet, timer valve, and gas connections.