



## The Breckenridge Series

### Vent-Free Gas Fireboxes Deluxe, Premium, Select, and Multisided

Breckenridge Select Firebox shown with Banded Brick Liner, Sassafras log set on a Slope Glaze Burner, and LK3 Lighting Kit (available for Premium and Select Models only)



# Breckenridge Fireboxes

## Breckenridge Vent-Free Deluxe, Premium, and Select Models

- Variety of Configurations
- Decorative Accessories Tailor the Look to Your Décor
- Louver and Flush Front Models in Matte Black
- Blowers available for Louver and Flush Front models
- Refractory, Ceramic Fiber, and Metal Liners (varies by model)
- Accepts Any Certified Vent-Free Burner and Log Set
- Zero Clearance Certified
- Made in the U.S.A.

### Breckenridge Deluxe

Breckenridge Deluxe fireboxes measure just 16 1/2 inches deep for the 32-inch model and 19 for the 36- and 42-inch models, yet still allow installation of a blower. We offer an assortment of decorative arched doors, louvers, and frames for the Deluxe fireboxes. Liners include four styles in ceramic fiber, one in refractory, plus Black Porcelain (Deluxe only). Surround your fireplace with a traditional-style Cabinet or Corner mantel in one of four finishes, or choose stainable hardwood. For use with contemporary burners, we also offer stainless steel and reflective black liners to fit the Deluxe firebox.

### Breckenridge Premium

Breckenridge Premium fireboxes add a little more overall depth – 20 9/16 inches – and a taller opening to showcase today's bigger log sets. Complete the Premium Firebox with one of four ceramic fiber liners, decorative accessories in three styles and four finishes, a blower – and even a lighting kit for use with a switch or dimmer control. Surround the installation with a traditional cabinet or corner mantel.

### Breckenridge Select

Breckenridge Select fireboxes feature a tall, deep stage for the log set, yet have compact outer dimensions and a low-profile top and bottom. The visual effect is a lot more fireplace with less of the firebox face showing.

The Breckenridge Select has no lower louvers, allowing it to be installed at floor level, yet still provides the benefit of a recirculating firebox with optional blower. The low floor height allows installation at or near floor level, for a natural, integrated look that creates the illusion of a site-built fireplace – at a fraction of the cost.



*Breckenridge Deluxe 36 Vent-Free  
Flush Firebox with Refractory Liner*



*Breckenridge Premium 32 Vent-Free  
Louvered Firebox with Traditional Liner*



*Breckenridge Select 42 Vent-Free  
Firebox with Herringbone Liner*



# Breckenridge Fireboxes

## Breckenridge Multisided

Breckenridge Multisided fireboxes are available in two options – a Peninsula (three open sides), or a See-Through (two open sides). Breckenridge Multisided fireboxes accept any properly sized, certified vent-free burner and log set, such as the 18-inch, 24-inch, or 30-inch Slope Glaze Vista Burner, with a Stone River Ceramic fiber log set or a Rock Creek refractory log set.

Breckenridge Multisided fireboxes come with conventional louvers or in a flush face model that can be completely bricked or tiled into place, yet still allow use of the circulation blower. These fireboxes also include curtain-style screens, Banded Brick Liners, and refractory sills.



*The Breckenridge Premium 36-inch Peninsula Vent-Free Firebox in flush-face, shown with Slope Glaze Vista Burner and Rock Creek refractory log set.*



*Breckenridge 36 See-Through Firebox shown with Polished Black Liner, Slope Glaze Vista Burner and Stone River ceramic fiber log set.*



*Rugged looking refractory logs give the Rock Creek Log Set a rustic look on a grand scale. (Opposite side view)*



*Stone River ceramic fiber Log Set provides a different look from every angle. The Slope Glaze Vista Built-in Burners conceal their controls behind a sliding panel.*

# Options & Accessories

## Liners

Our brick liners give your new firebox the look of a real masonry fireplace.



**Traditional Brick**  
*(Ceramic Fiber)*



**Aged Brick**  
*(Ceramic Fiber)*



**Banded Brick**  
*(Ceramic Fiber)*



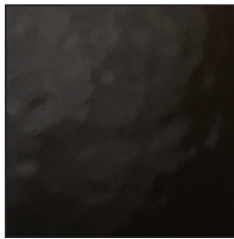
**Stacked Limestone**  
*(Ceramic Fiber)*



**Herringbone Brick**  
*(Ceramic Fiber)*



**Refractory Brick**  
*(Deluxe Fireboxes only)*



**Black Porcelain**  
*(Deluxe Fireboxes only)*

## Blower & Accent Lighting

The optional automatic blower circulates the warm air throughout the room. Add the optional variable-speed control to adjust the fan speed.

An optional Accent Lighting Kit (LK3) for Premium and Select models creates dramatic shadows inside the firebox to provide visual interest, even when no fire is burning.

## Outer Frames and Bottom Trim

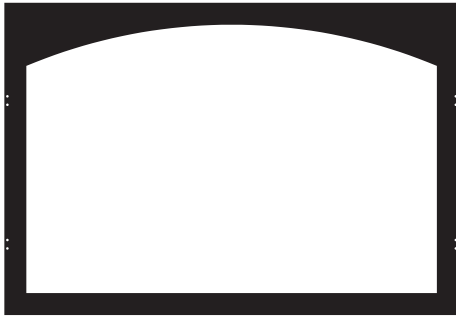
Our metal three-piece outer frames let you transition from your fireplace to any adjoining surface – wooden mantel, tile, stone, or any noncombustible material. Steel frames are available in matte black or hammered pewter.

The available bottom trim completes the fourth side of the color frame.



# Options & Accessories

## Decorative Frames



*Decorative Door Frame Arch*

## Decorative Louvers



*Decorative Louver Arch*

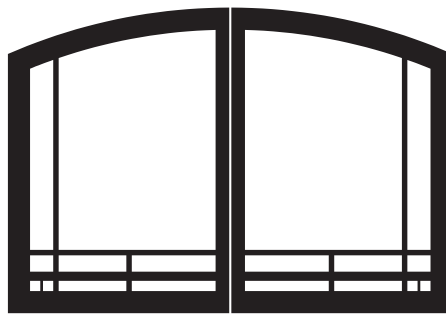


*Decorative Louver Mission*

## Decorative Doors – include handles, screens, and hinges



*Decorative Door Plain Arch*



*Decorative Door Mission Arch*

Breckenridge Decorative Trim is available in Classic Matte Black or Rich Hammered Pewter.



*Breckenridge Deluxe 36 Flush Firebox trimmed in Matte Black Outer Frame with Refractory Sassafra Log Set, Decorative Cast Grate, and Stacked Limestone Liner in Custom Mantel*

# Log Sets and Burners

## Log Sets and Burners

The hand-painted ceramic fiber or refractory log sets complement the flames from any of our Vent-Free burners.

At 99.9 percent efficient, our Vent-Free burners deliver more heat for your energy dollars.

Step up to a Remote-Ready Burner and select our battery operated Thermostat Remote Control. Our Thermostat Remote automatically cycles the burner on and off to maintain your ideal room temperature.

We offer burners with a variety of control and ignition systems – from manual valves with a standing pilot, to Millivolt valves with standing pilot to electronic valves with electronic ignition to eliminate the standing pilot. Millivolt and electronic systems work with our remotes and thermostats to add comfort and convenience.

See the White Mountain Hearth Vent-free Gas Log brochure for complete specifications.



*Refractory Sassafras Log Set (LS-24RS)  
with Slope Glaze Burner System (VFSR-24)*



*Refractory Super Sassafras Log Set (LS-24RSS)  
with Slope Glaze Burner System (VFSR-24)*



*Refractory Ponderosa Log Set (LS-24P)  
with Slope Glaze Burner System (VFSR-24)*



*Refractory Stacked Aged Oak Log Set (LS-24SRAO)  
with Slope Glaze Burner System (VFSR-24)*



*Refractory Whiskey River Log Set  
and Contour Burner Combination (VFDR-24WR)*



# Log Sets and Burners



*Ceramic Fiber Charred Oak Log Set (LS-24C2)  
with Slope Glaze Burner System (VFSR-24)*



*Ceramic Fiber Super Charred Oak Log Set (LS-24C2S) with Slope Glaze  
Burner System (VFSR-24)*



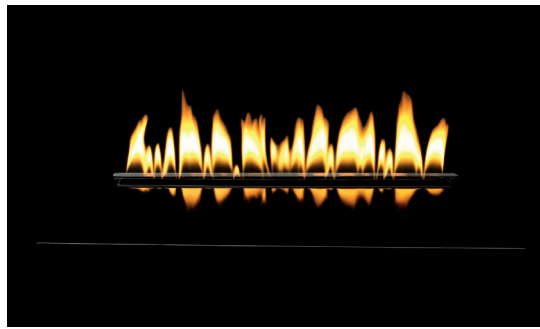
*Ceramic Fiber Flint Hill Log Set  
and Contour Burner Combination (VFDR-24LB)*



*Ceramic Fiber Birch Log Set (LS-24B2)  
with Slope Glaze Burner System (VFSR-24)*



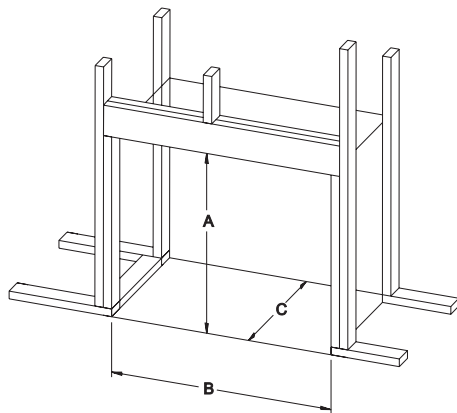
*Kennesaw Log Set (HLS24R1) on HearthRite Burner (HVFM24), both  
Imported, available in 18-inch and 24-inch only.*



*Loft Series Contemporary Burner (VFRL-24)  
shown with Reflective Black Decorative Top (DT24-PB)*

## Breckenridge Deluxe, Premium, and Select Firebox Framing Dimensions

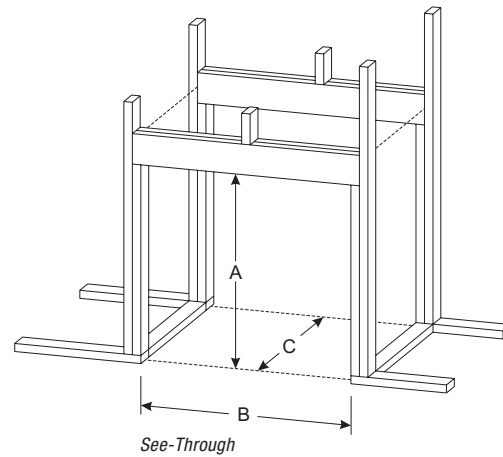
Model	Framing Height	Framing Width	Framing Depth
VFD32FB	33 3/4	35 1/2	16 1/4
VFP32FB	38 7/8	35 3/8	20 9/16
VFS32FB	38 7/8	35 3/8	23 3/8
VFD36FB	35 3/4	40 1/2	18 3/4
VFP36FB	38 7/8	40 3/8	20 9/16
VFS36FB	38 7/8	40 3/8	23 3/8
VFD42FB	35 3/4	44 1/2	18 3/4
VFP42FB	38 7/8	44 3/8	20 9/16
VFS42FB	38 7/8	44 3/8	23 3/8



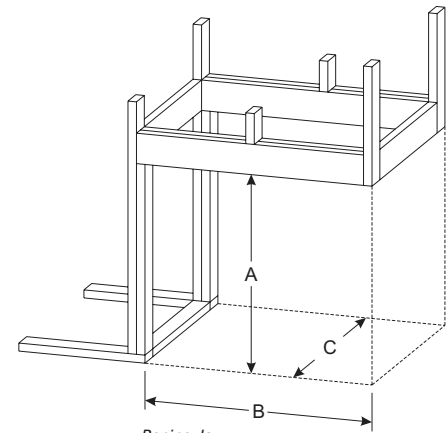
*Deluxe, Premium, and Select*

## Breckenridge Multisided Firebox Framing Dimensions

Model	Framing Height	Framing Width	Framing Depth
VFP36SP	41 1/2	40	23
VFP36PP	41 1/2	39	23



*See-Through*



*Peninsula*

### Warranty

All Vent-Free products carry a five-year limited warranty with a five-year limited labor warranty.

All remote controls carry a one-year limited warranty.

Vent-Free appliances may be installed in an aftermarket (mobile) home where not prohibited by state or local codes. The approval (G1-0504-90B) has been granted subject to the installation in compliance with CMR 248, 527 CMR 30, Massachusetts State Plumbing Code and/or the Massachusetts Fuel Gas Code.

Empire is committed to continuous product improvement; specifications are subject to change without notice. Dimensions in this brochure are approximate; read and follow the framing dimensions in the owners manual supplied with your Empire product. Flame size, shape, and color will vary from photos.

Member of the following industry associations:



This appliance is design-certified to the ANSI standard by:



SINCE 1932

Empire Comfort Systems Inc.  
918 Freeburg Ave.  
Belleville, IL 62220-2623  
info@empirecomfort.com

WMH-00545 7/12/19

The Empire Comfort Systems and White Mountain Hearth names and logos are registered U.S. trademarks.