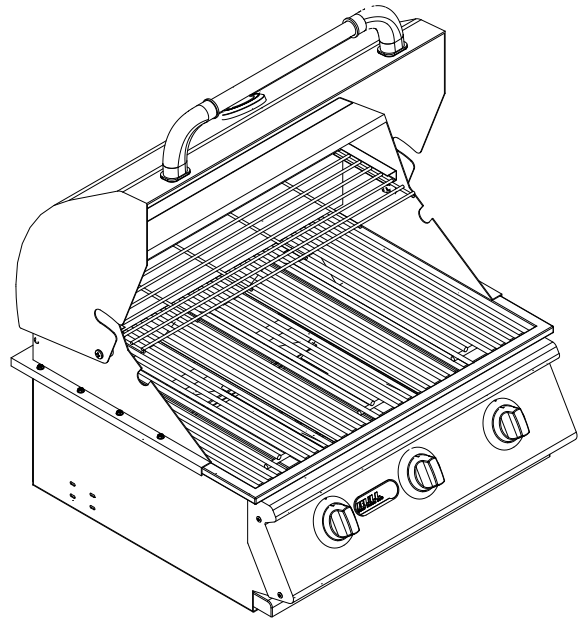




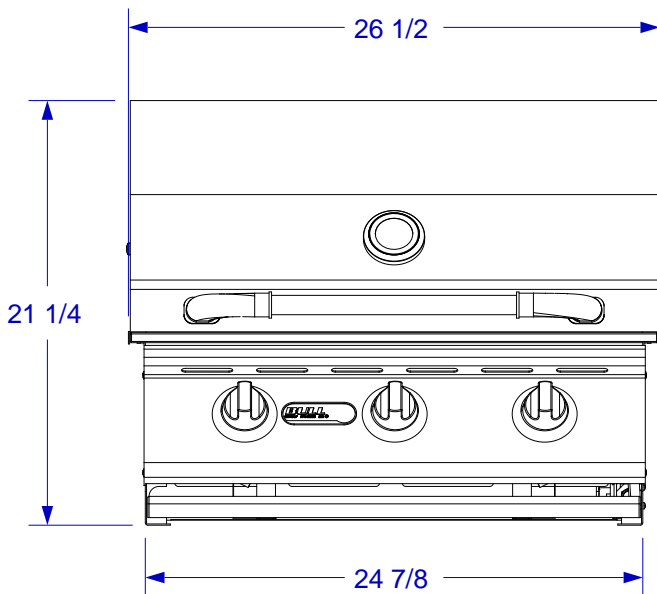
# STEER GRILL

## SPEC SHEET

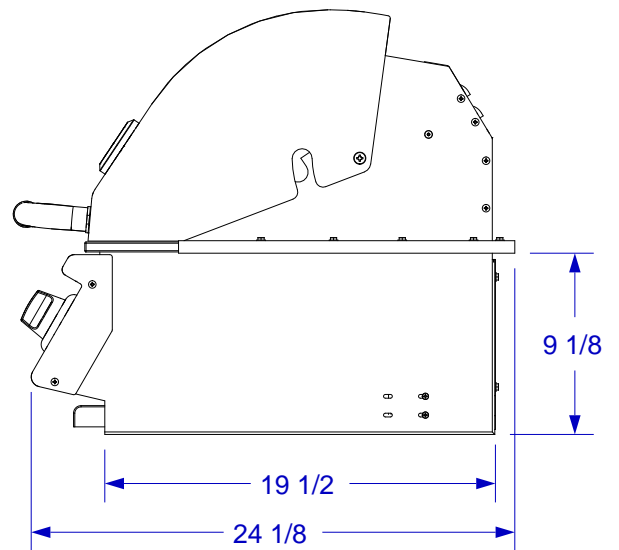
\*ISLAND MUST BE CONSTRUCTED WITH NON-COMBUSTIBLE MATERIALS; REFER TO GRILL OWNERS MANUAL



ISOMETRIC VIEW  
SCALE 1" = 1' 0"



FRONT VIEW



RIGHT SIDE VIEW

**NOTES:**

1. CUTOUT DIMENSIONS: 25 3/4"W X 20 1/2"L X 10"D
2. SCALE: 1 1/4" = 1'-0"
3. REVISION: 07/2013