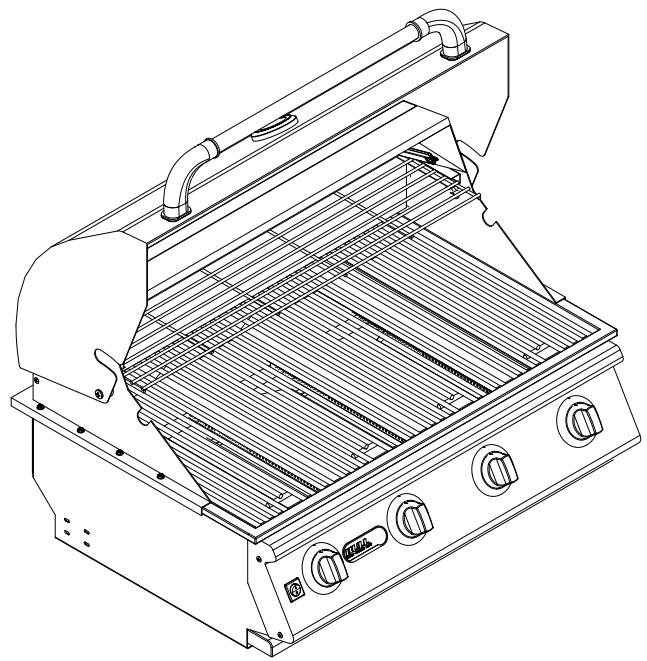


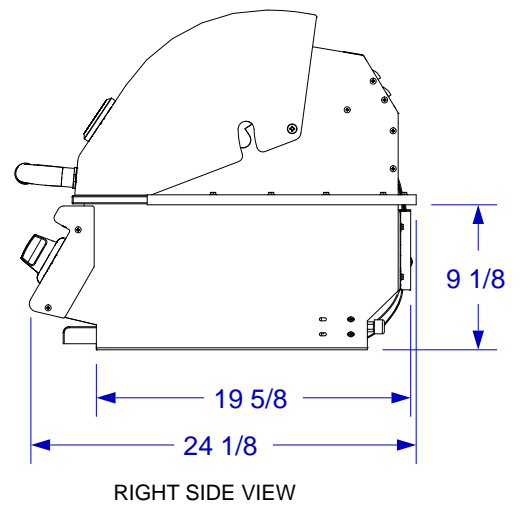
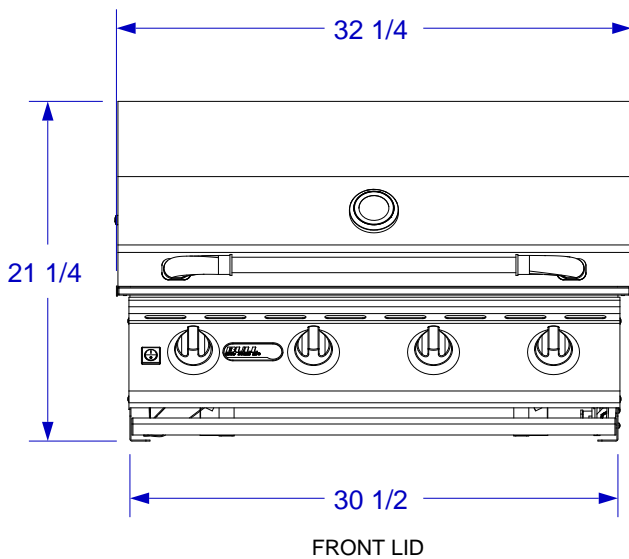


LONESTAR SELECT GRILL SPEC SHEET

*ISLAND MUST BE CONSTRUCTED WITH NON-COMBUSTIBLE MATERIALS; REFER TO GRILL OWNERS MANUAL



ISOMETRIC VIEW



NOTES:

1. CUTOUT DIMENSIONS: 31" W X 20 1/2" L X 10" D
2. SCALE: 1" = 1'-0"
3. REVISION: 11/2011