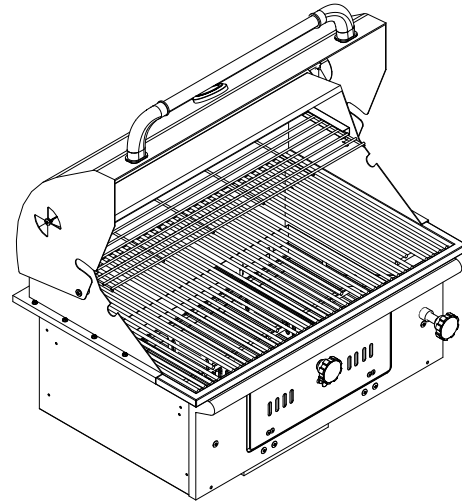


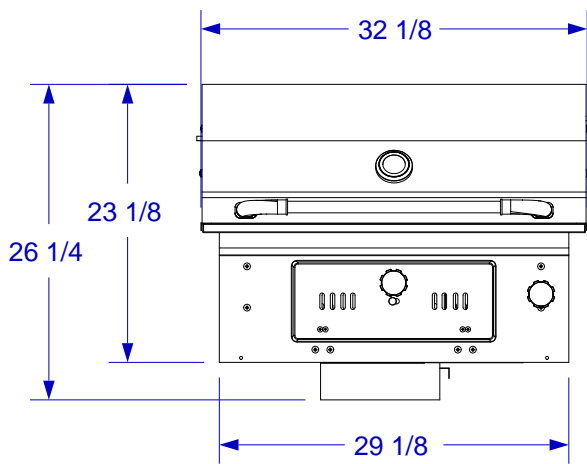


# BISON CHARCOAL GRILL SPEC SHEET

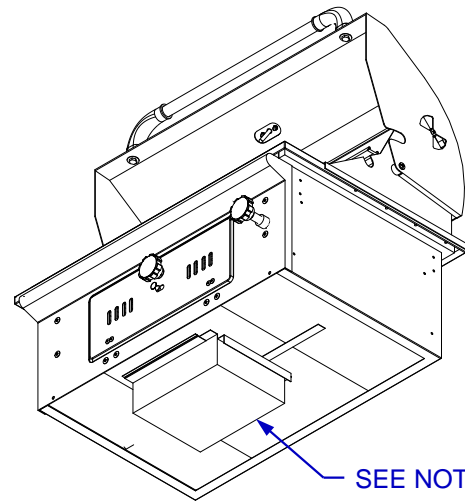
\*ISLAND MUST BE CONSTRUCTED WITH NON-COMBUSTIBLE MATERIALS; REFER TO GRILL OWNERS MANUAL



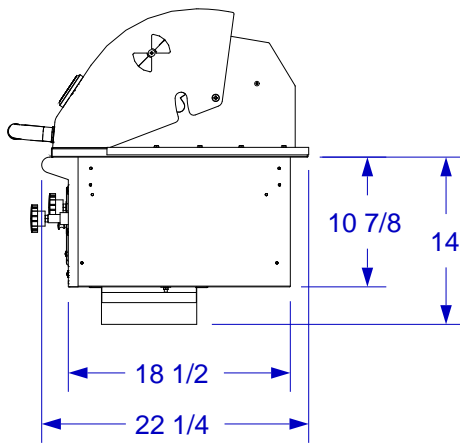
FRONT ISOMETRIC VIEW



FRONT VIEW



BOTTOM ISOMETRIC VIEW



RIGHT SIDE VIEW

**NOTES:**

1. CUTOUT DIMENSIONS: 29 1/2" W X 17 1/2" L X 11 1/2" D
2. THE GRILL HAS A 10" X 10" X 3" ASH COLLECTION BOX THAT SLIDES OUT FROM THE RIGHT SIDE.
3. SCALE: 3/4" = 1'-0"
4. REVISION: 10/2009