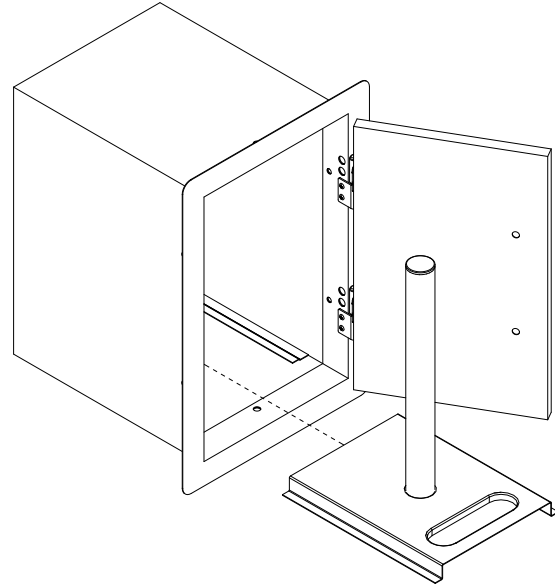
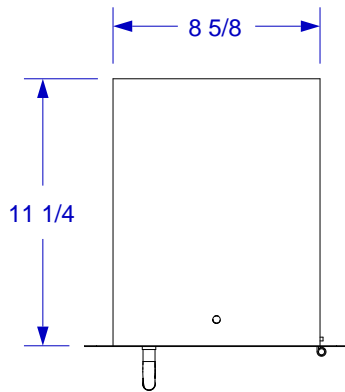




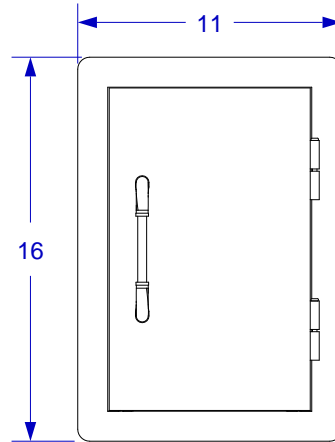
PAPER TOWEL DISPENSER SPEC SHEET



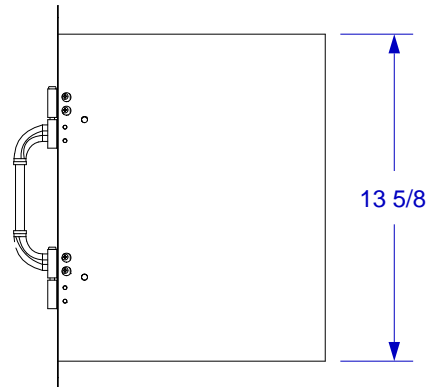
ISOMETRIC VIEW



TOP VIEW



FRONT VIEW



RIGHT SIDE VIEW

- NOTES:**
1. CUTOUT DIMENSIONS: 9"W X 14"L X 11 1/2"D
2. SCALE: 1 1/2" = 1'-0"
3. REVISION: 10/2009