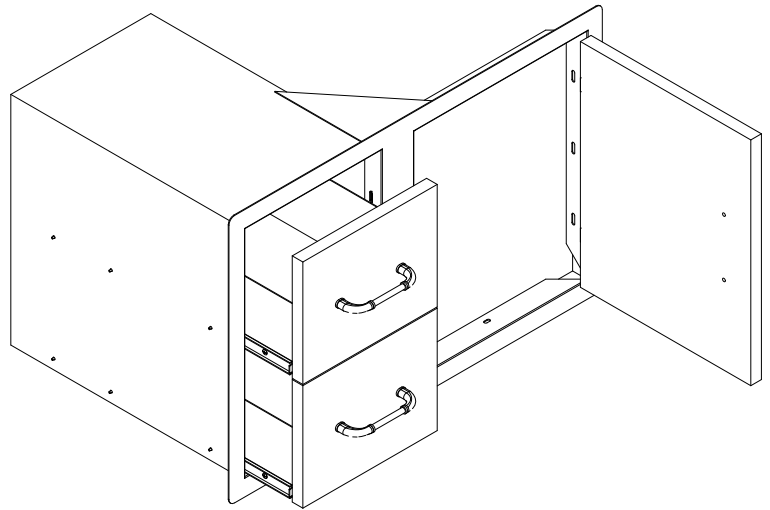
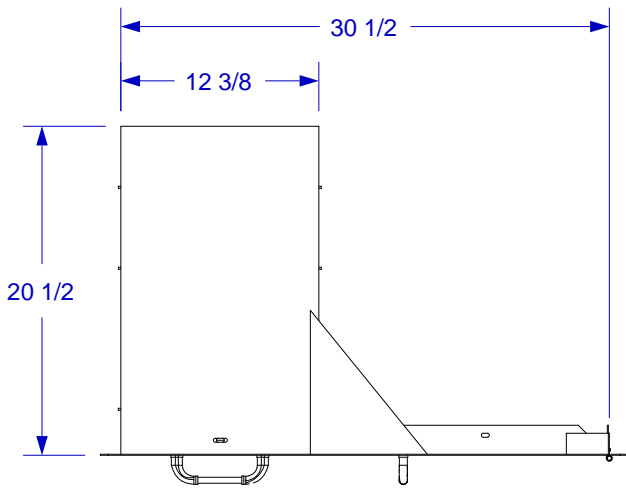




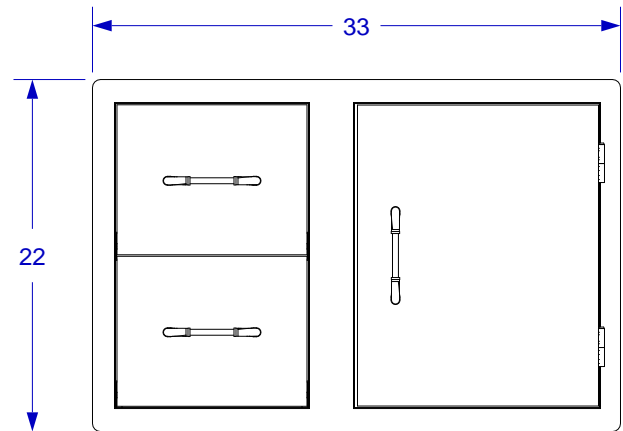
DOOR/DRAWER COMBO SPEC SHEET



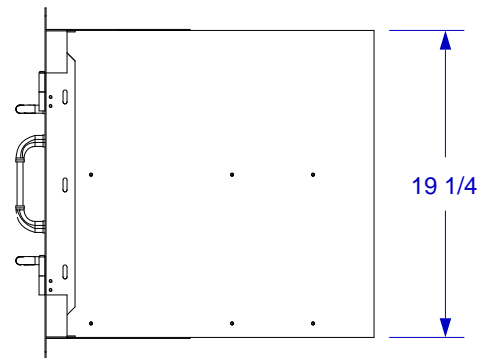
ISOMETRIC VIEW



TOP VIEW



FRONT VIEW



RIGHT SIDE VIEW

NOTES:

1. CUTOUT DIMENSIONS: 31"W X 19 3/4"L X 20 3/4"D
2. SCALE: 1" = 1'-0"
3. REVISION: 03/2012